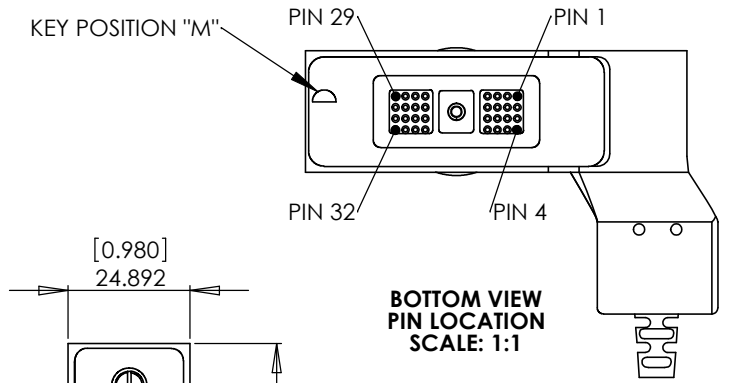
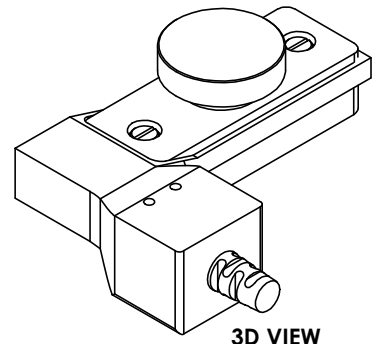


PIN NUMBER	COLORS
2	PURPLE
5	DARK BLUE
7	LIGHT GREEN
9	PINK
10	GRAY
15	BROWN
16	RED
17	LIGHT BLUE
18	YELLOW
19	DARK ORANGE
20	BLUE
24	TAN
28	BLACK
29	ORANGE
30	CLEAR
31	DARKGREEN
32	CLEAR
E33	BRAIDED SHIELD
E34	BRAIDED SHIELD

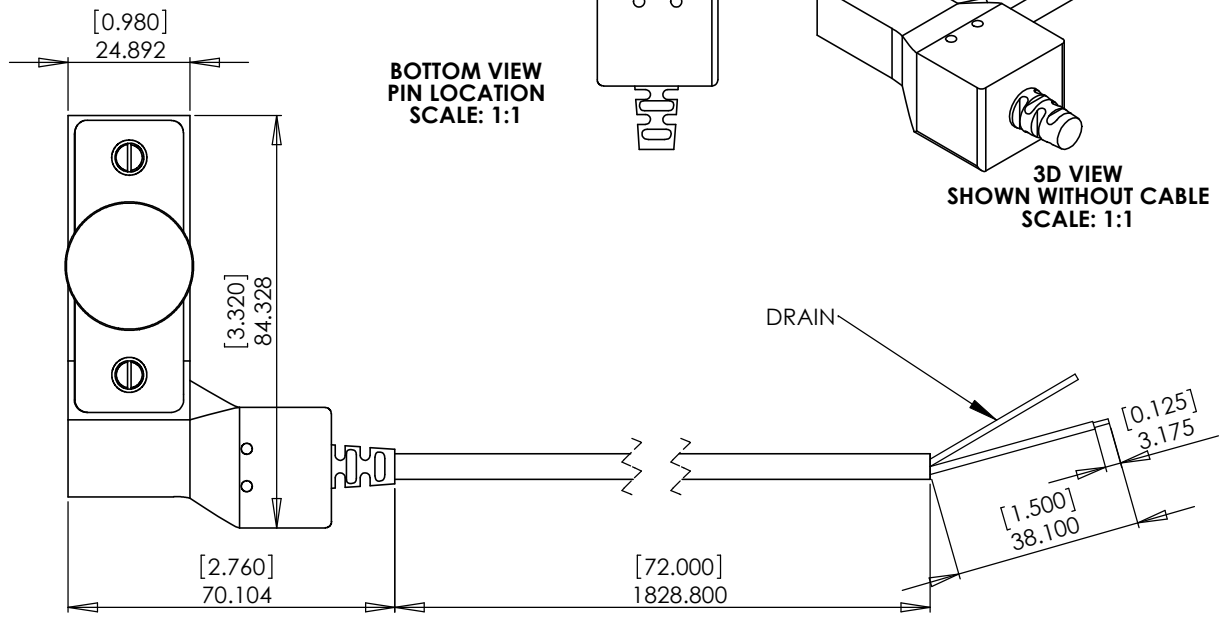
TWISTED PAIR
 TWISTED PAIR



**BOTTOM VIEW
PIN LOCATION
SCALE: 1:1**



**3D VIEW
SHOWN WITHOUT CABLE
SCALE: 1:1**



- NOTES:**
1. 26 AWG, 19 CONDUCTOR, 0.26±0.01O.D.
 2. OUTER SHIELD: 38 AWG, TIN PLATED COPPER BRAID, 90% COVERAGE
 3. JACKET: TPE, BLACK MATTE FINISH.
 4. ALL WIRES TO BE STRIPPED AND TINNED, AS SHOWN.

ZONE	REV.	DESCRIPTION	DATE	APPROVED
A		NEW RELEASE	12/01/09	RPB
REVISIONS				
UNLESS OTHERWISE SPECIFIED:		NAME	DATE	614 CORPORATE WAY SUITE 8M VALLEY COTTAGE, NY 10980 CAGE CODE: 1HJX9
DIMENSIONS ARE IN:		DRAWN	AAR 113009	
TOLERANCES:		CHECKED	RPB 113009	
.XX: ± .XXX: ± ANGULAR: .X°: .XX°:		COMMENTS:		
INTERPRET GEOMETRIC TOLERANCING PER:		PROPRIETARY AND CONFIDENTIAL THE INFORMATION CONTAINED IN THIS DRAWING IS THE SOLE PROPERTY OF <INSERT COMPANY NAME HERE>. ANY REPRODUCTION IN PART OR AS A WHOLE WITHOUT THE WRITTEN PERMISSION OF <INSERT COMPANY NAME HERE> IS PROHIBITED.		TITLE: REAR EXIT AN/PRC-117G 32 PIN DATA CABLE, 6 FEET
MATERIAL		NONE		
FINISH		NONE		
DO NOT SCALE DRAWING		SIZE B DWG. NO. TE-32MZ-06 REV A		SCALE: 1:1 WEIGHT: SHEET 1 OF 1