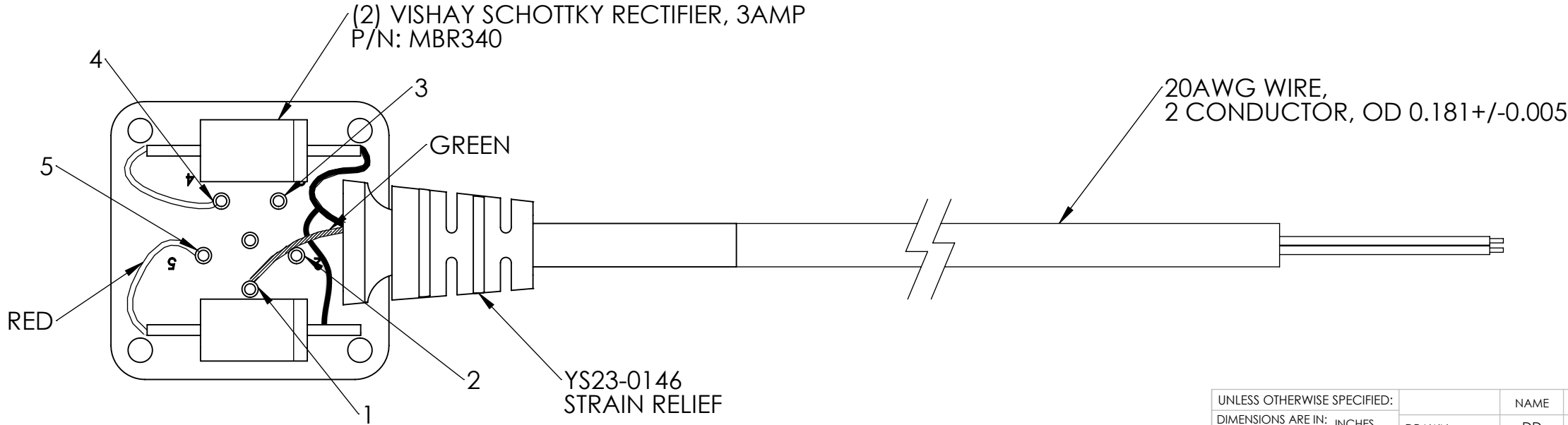
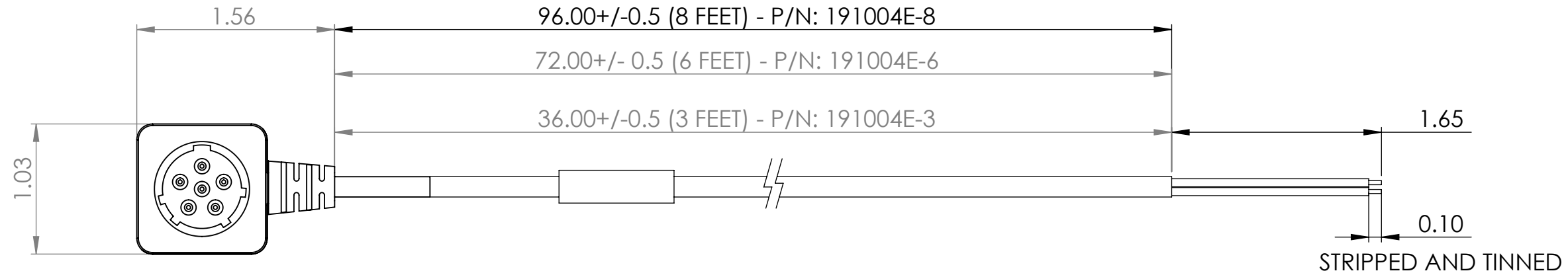
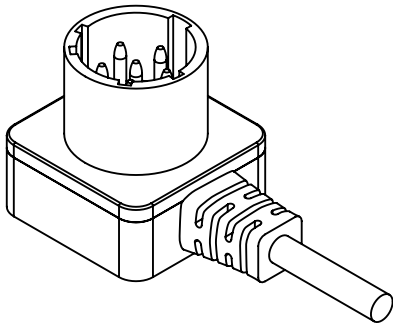
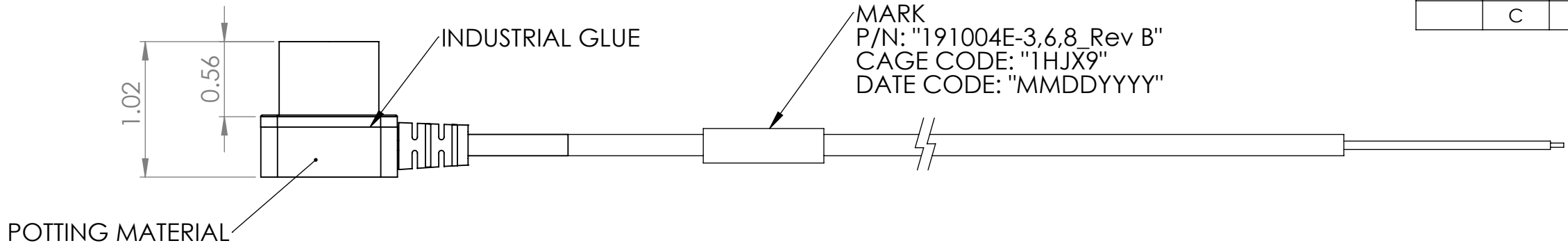


EC#	REV	DESCRIPTION	DATE	APPROVED
	A	INITIAL RELEASE	02/01/07	RB
	B	ADDED MBR340 DIODES	06/10/09	RB
	C	ADDED WIRE DETAIL	06/29/09	RB



BA-5590 (M)	COLORS
1,2	GREEN
4	RED
5	

UNLESS OTHERWISE SPECIFIED: DIMENSIONS ARE IN: INCHES TOLERANCES: .XX: ± .01 .XXX: ± .005 ANGULAR: .X°: .XX°:	NAME: DD DATE: 6/10/09 DRAWN: DD CHECKED: RB 6/10/09 COMMENTS:	<b>SupplyNet</b> 614 CORPORATE WAY SUITE 8M VALLEY COTTAGE, NY 10980 CAGE CODE: 1HJX9 <b>TITLE:</b> BA5590 MALE BATTERY CONNECTOR WITH CABLE, 12V <b>SIZE</b> DWG. NO. REV <b>B</b> 191004E-X <b>C</b> SCALE: 2:1 WEIGHT: SHEET 1 OF 1
INTERPRET GEOMETRIC TOLERANCING PER: MATERIAL: N/A FINISH: N/A DO NOT SCALE DRAWING	<b>PROPRIETARY AND CONFIDENTIAL</b> THE INFORMATION CONTAINED IN THIS DRAWING IS THE SOLE PROPERTY OF <INSERT COMPANY NAME HERE>. ANY REPRODUCTION IN PART OR AS A WHOLE WITHOUT THE WRITTEN PERMISSION OF <INSERT COMPANY NAME HERE> IS PROHIBITED.	