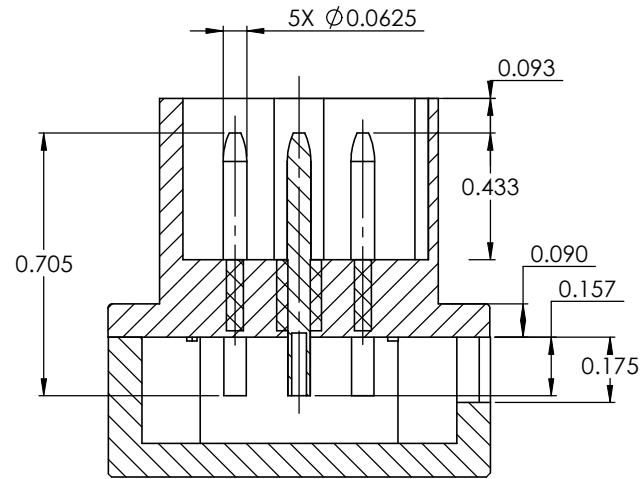
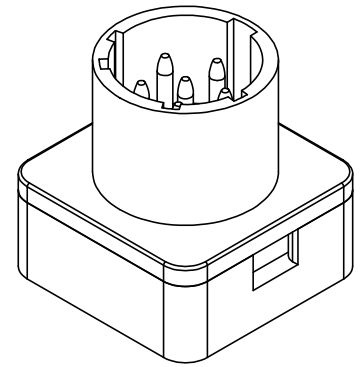
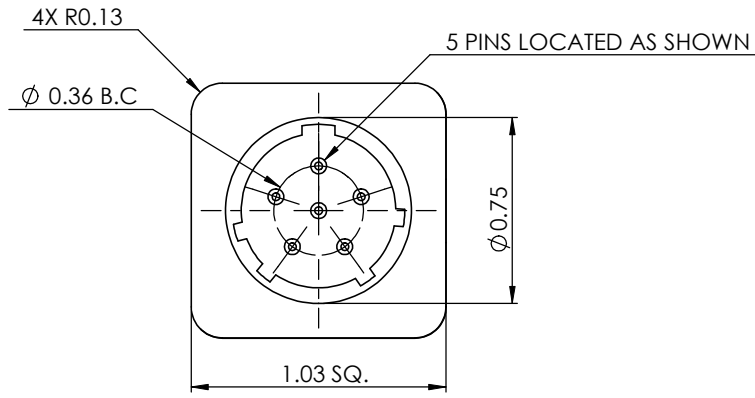


NOTES:

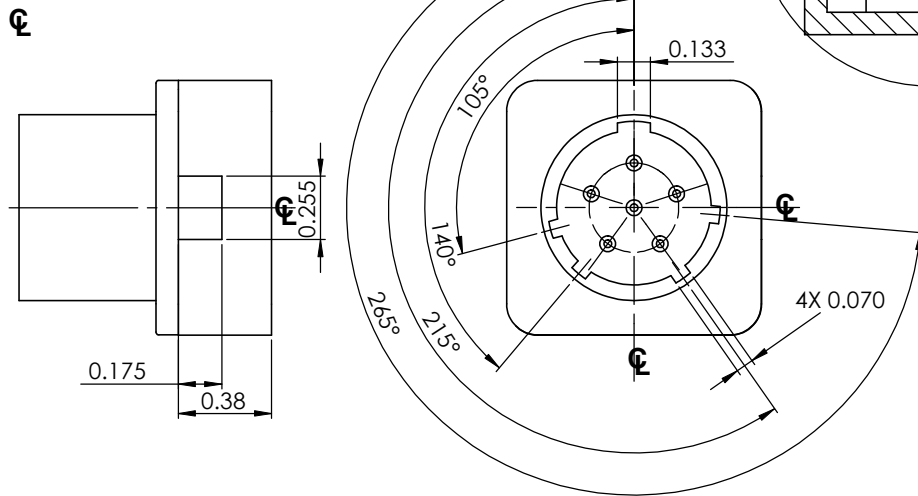
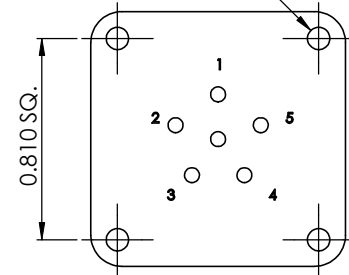
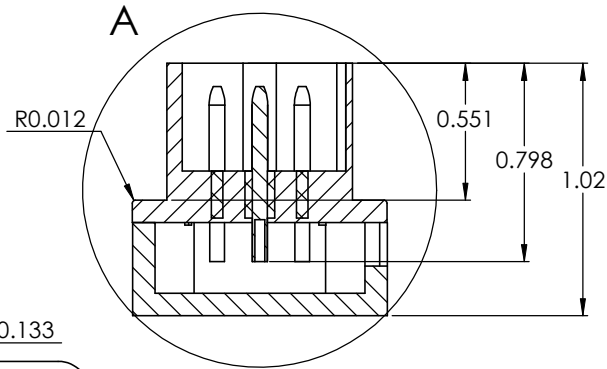
1. SHELL MATERIAL: NYLON 66, 30% GLASS FILLED
2. GOLD PLATED PINS RATED AT 10AMPS EACH.



DETAIL A  
SCALE 3 : 1



4X  $\varnothing 0.09$ , POST X 0.37 LG



UNLESS OTHERWISE SPECIFIED: DIMENSIONS ARE IN: INCHES		NAME	DATE	<b>SupplyNet</b> 614 CORPORATE WAY SUITE 8M VALLEY COTTAGE, NY 10980 CAGE CODE: 1HJX9
TOLERANCES: .XX: $\pm .01$ .XXX: $\pm .005$		DRAWN DD	07/07/09	
ANGULAR: .X°: .XX°:		CHECKED RB	07/07/09	TITLE: BA-5590 MALE BATTERY CONNECTOR PLUG
INTERPRET GEOMETRIC TOLERANCING PER:		PROPRIETARY AND CONFIDENTIAL THE INFORMATION CONTAINED IN THIS DRAWING IS THE SOLE PROPERTY OF SUPPLYNET, INC.. ANY REPRODUCTION IN PART OR AS A WHOLE WITHOUT THE WRITTEN PERMISSION OF SUPPLYNET, INC. IS PROHIBITED.		SIZE <b>B</b>
MATERIAL NYLON 66 GF 30%		DO NOT SCALE DRAWING		DWG. NO. CONN-BA5590-M
FINISH BLACK MATT				REV A
				SCALE: 2:1   WEIGHT:   SHEET 1 OF 1