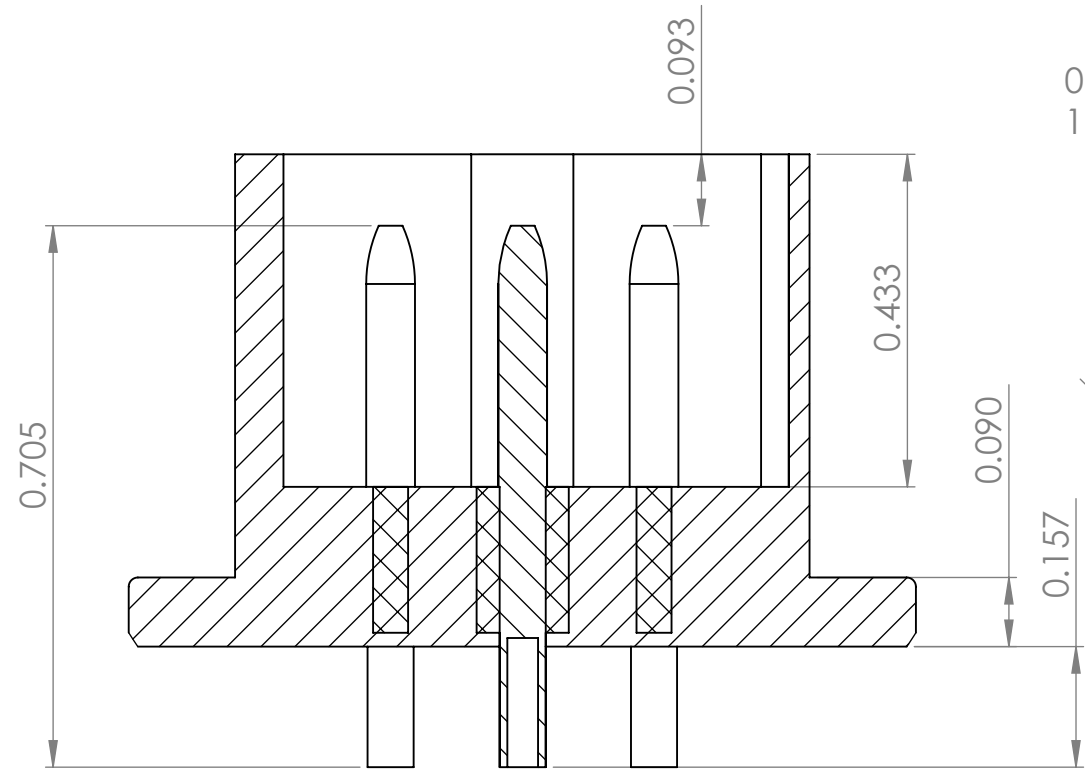
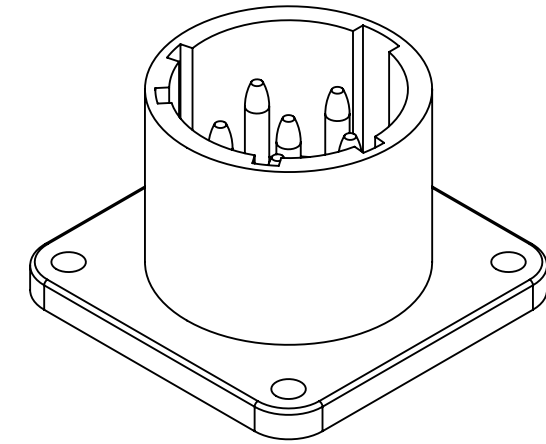
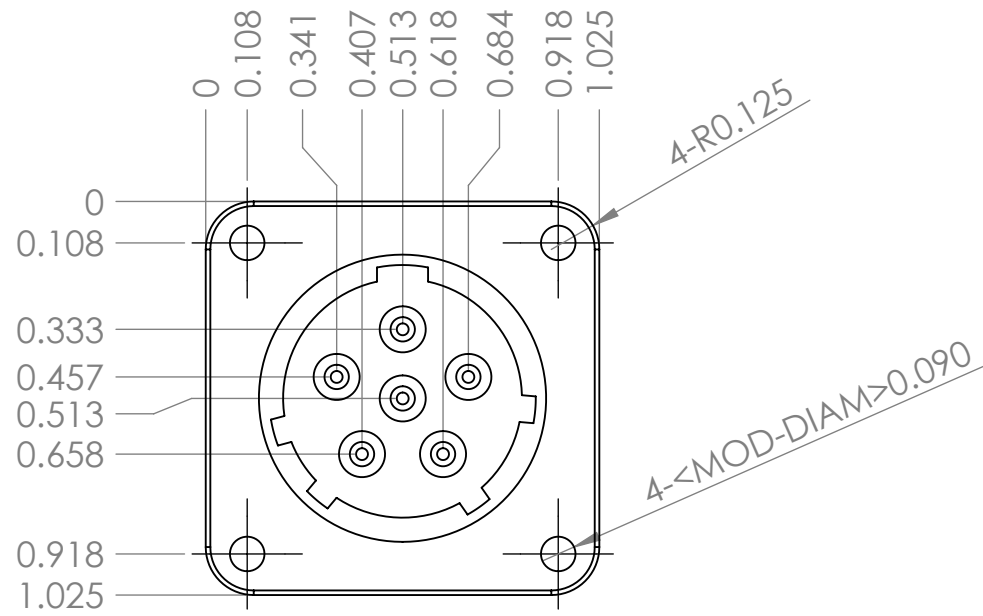
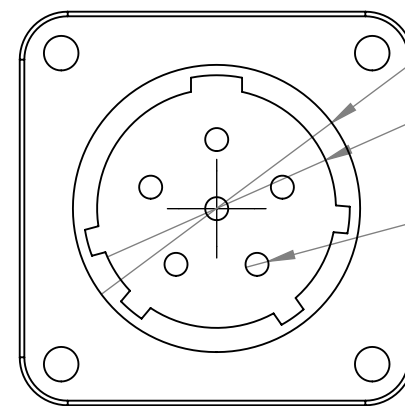
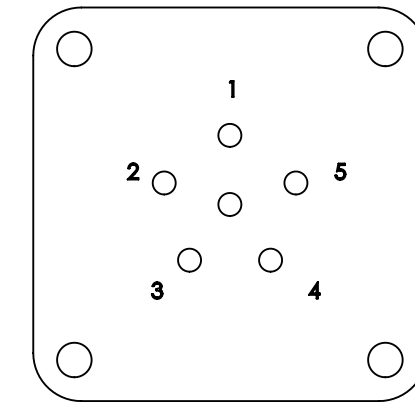
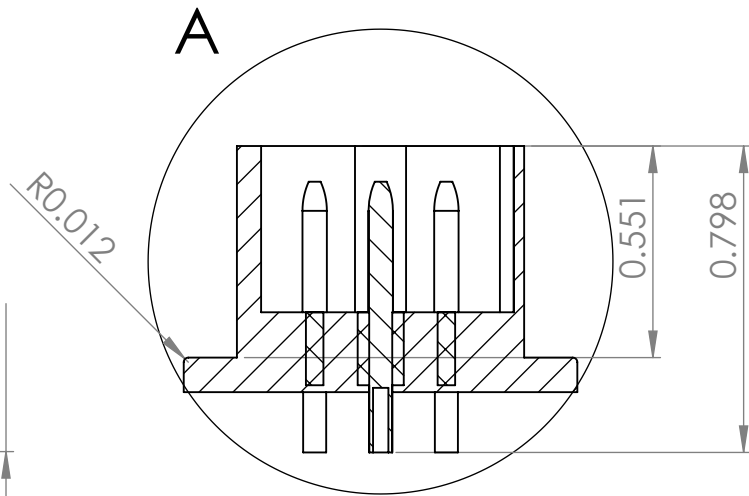


NOTES:

1. SHELL MATERIAL: NYLON 66, 30% GLASS FILLED
2. GOLD PLATED PINS RATED AT 10AMPS EACH.



DETAIL A  
SCALE 4 : 1



UNLESS OTHERWISE SPECIFIED: DIMENSIONS ARE IN: TOLERANCES: .XX: .XXX: ANGULAR: .X : .XX :	DRAWN	NAME	DATE	<b>SupplyNet</b> 614 CORPORATE WAY SUITE 8M VALLEY COTTAGE, NY 10980 CAGE CODE: 1HJX9
	CHECKED			
INTERPRET GEOMETRIC TOLERANCING PER:	COMMENTS:			TITLE: <b>BA-5590 PANEL MOUNT MALE CONNECTOR</b>
MATERIAL	<b>PROPRIETARY AND CONFIDENTIAL</b> THE INFORMATION CONTAINED IN THIS DRAWING IS THE SOLE PROPERTY OF <INSERT COMPANY NAME HERE>. ANY REPRODUCTION IN PART OR AS A WHOLE WITHOUT THE WRITTEN PERMISSION OF <INSERT COMPANY NAME HERE> IS PROHIBITED.			SIZE <b>B</b> DWG. NO. <b>CONN-BA5590-MP</b> REV <b>A</b>
FINISH	DO NOT SCALE DRAWING			SCALE: 2:1 WEIGHT: SHEET 1 OF 1