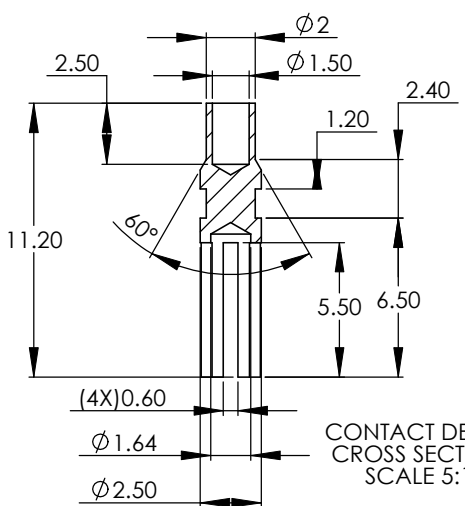
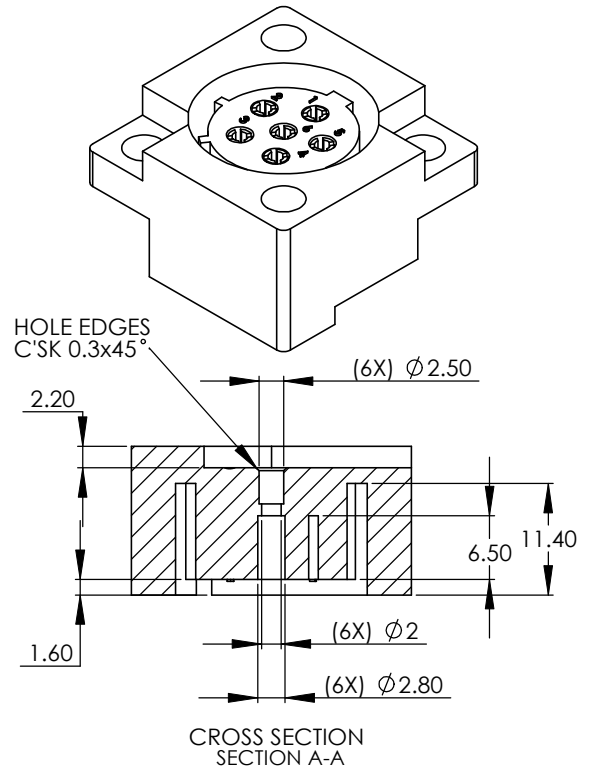
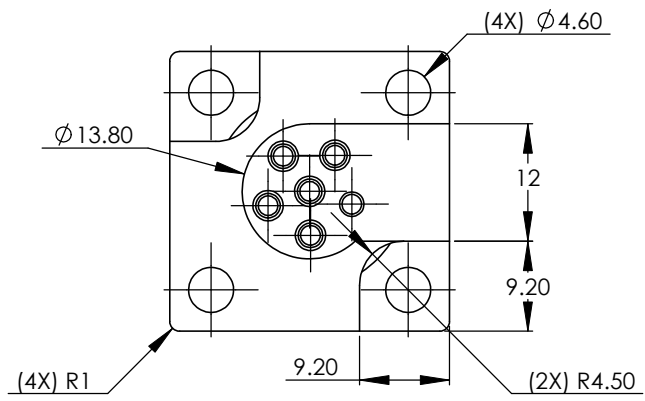


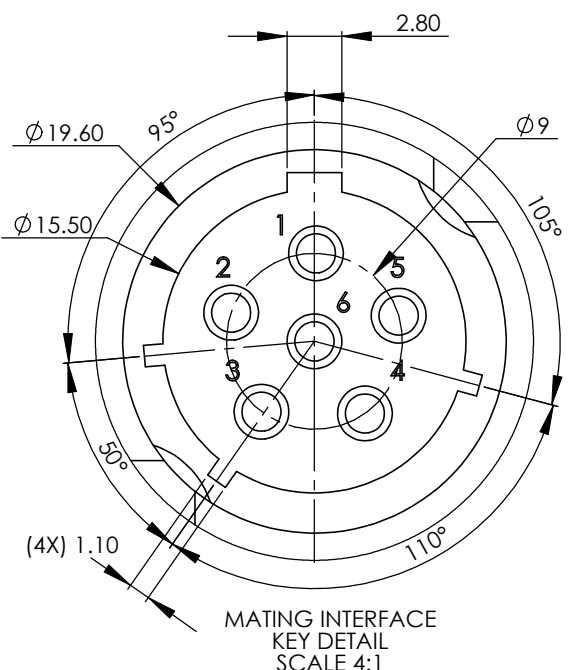
8 7 6 5 4 3 2 1



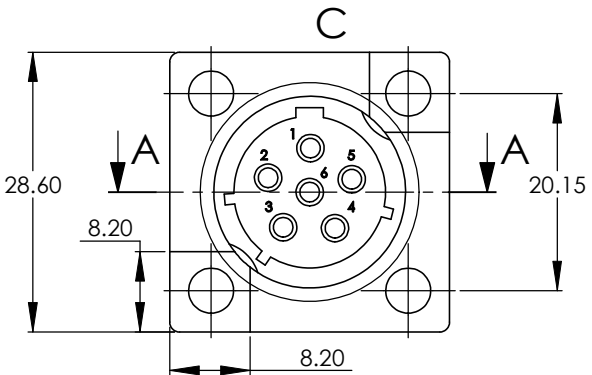
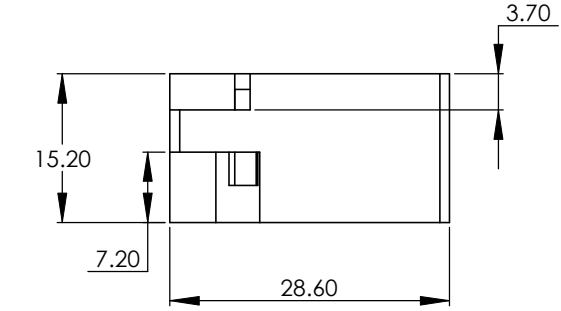
CONTACT DETAIL  
CROSS SECTION  
SCALE 5:1



CROSS SECTION  
SECTION A-A



MATING INTERFACE  
KEY DETAIL  
SCALE 4:1



NOTES:

1. HOUSING MATERIAL: PBT
2. CONTACT MATERIAL: BRASS WITH D. Ag 8 SURFACE PLATING
3. DEBURR AND SMOOTH ALL EDGES. HOLE SURFACE ROUGHNESS = Ra 0.8.
4. LETTER HEIGHT: 1.5, PROTRUDE 0.2 mm ABOVE SURFACE.

UNLESS OTHERWISE SPECIFIED: DIMENSIONS ARE IN: INCHES TOLERANCES: .XX: ± .01 .XXX: ± .005 ANGULAR: .X°: .XX°:	DRAWN	DD	07/17/09	SupplyNet 614 CORPORATE WAY SUITE 8M VALLEY COTTAGE, NY 10980 CAGE CODE: 1HJX9
	CHECKED	RB	07/17/09	
INTERPRET GEOMETRIC TOLERANCING PER:	PROPRIETARY AND CONFIDENTIAL THE INFORMATION CONTAINED IN THIS DRAWING IS THE SOLE PROPERTY OF <INSERT COMPANY NAME HERE>. ANY REPRODUCTION IN PART OR AS A WHOLE WITHOUT THE WRITTEN PERMISSION OF <INSERT COMPANY NAME HERE> IS PROHIBITED.			TITLE: BB-2590 FEMALE LOW PROFILE BATTERY CONNECTOR
MATERIAL SEE NOTES	SIZE B	DWG. NO. CONN-BB-2590-FLP	REV A	
FINISH N/A	SCALE: 2:1		WEIGHT:	SHEET 1 OF 1
DO NOT SCALE DRAWING				

8 7 6 5 4 3 2 1