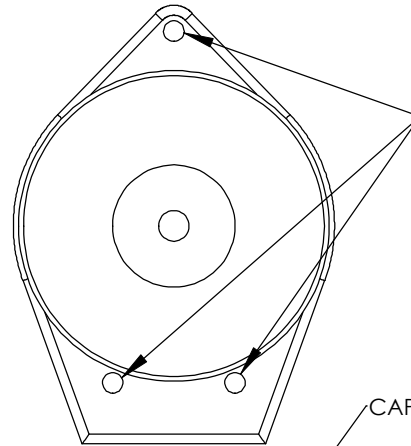
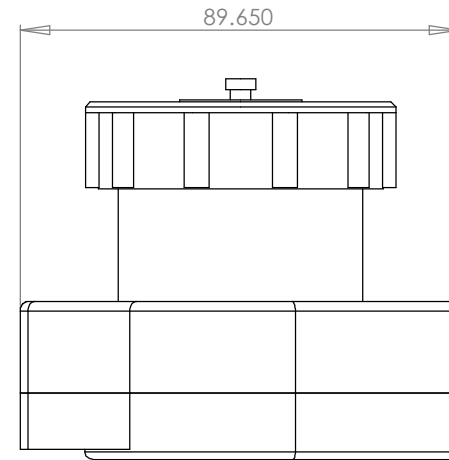
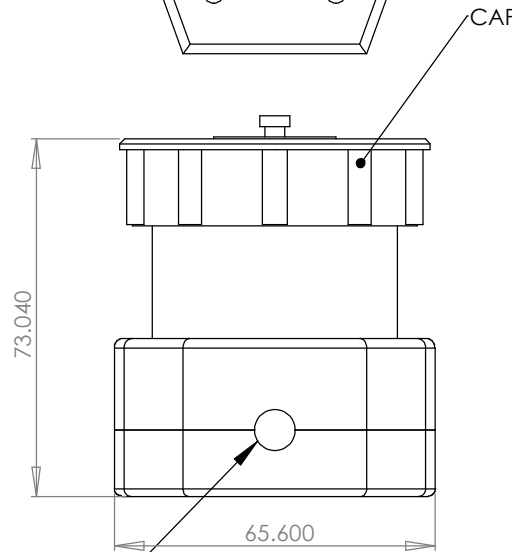
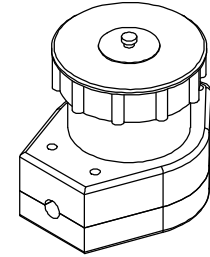


PARTS SUPPLIED		
ITEM	DESCRIPTION	QTY.
1	BRASS BUSHING	1
2	14-16 GA. RING TERMINAL CONNECTOR	2
3	INTERNAL LOCK WASHER	5
4	M4 x 8mm SCR	2
5	M3 x 25mm SCR	3



(3) M3 x 28mm, SCR
FROM UNDERNEATH PLUG



MAX. CABLE SIZE: 0.33" DIA.

NOTES:
1. SEE PARTS LIST FOR INCLUDED HARDWARE.

UNLESS OTHERWISE SPECIFIED:	NAME	DATE	SupplyNet 614 CORPORATE WAY SUITE 8M VALLEY COTTAGE, NY 10980 CAGE CODE: 1HJX9
DIMENSIONS ARE IN:	DRAWN		
TOLERANCES:	CHECKED		TITLE:
.XX: ±	COMMENTS:		15 AMP NATO PLUG
.XXX: ±			SIZE DWG. NO. REV
ANGULAR:			B SN-210 A
.X°			SCALE: 1:2 WEIGHT: SHEET 1 OF 1
.XX°			
INTERPRET GEOMETRIC TOLERANCING PER:	PROPRIETARY AND CONFIDENTIAL		
MATERIAL	THE INFORMATION CONTAINED IN THIS DRAWING IS THE SOLE PROPERTY OF <INSERT COMPANY NAME HERE>. ANY REPRODUCTION IN PART OR AS A WHOLE WITHOUT THE WRITTEN PERMISSION OF <INSERT COMPANY NAME HERE> IS PROHIBITED.		
FINISH			
DO NOT SCALE DRAWING			