

8 7 6 5 4 3 2 1

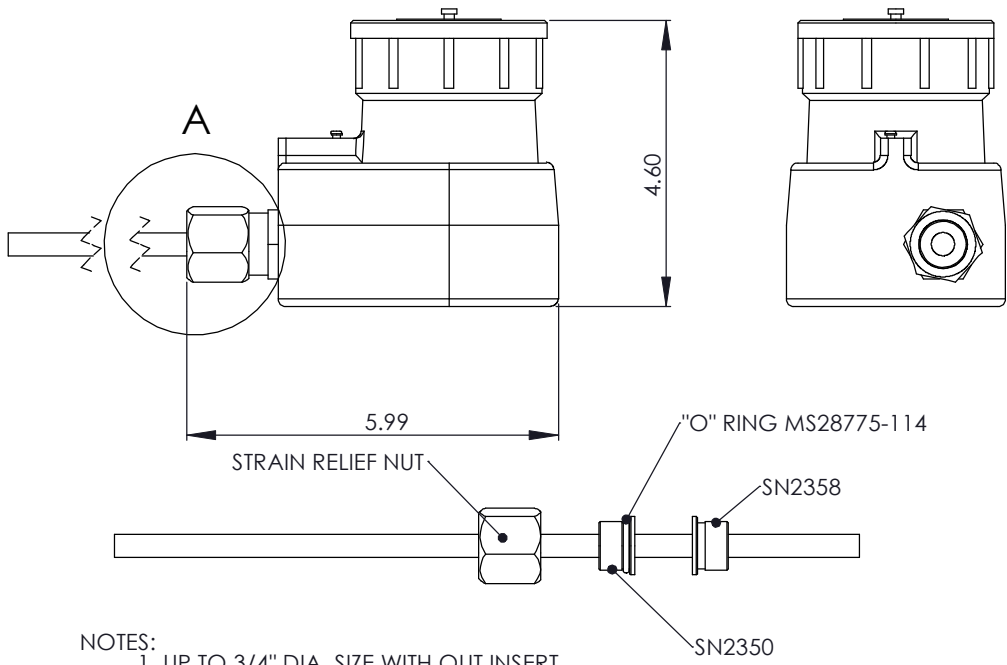
REVISIONS				
EC #	REV.	DESCRIPTION	DATE	APPROVED
-	B	INITIAL RELEASE	5/1/2007	RB

SPECIFICATIONS:

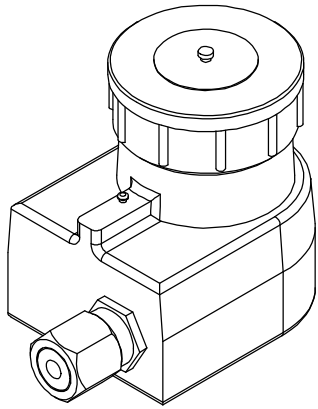
MATERIAL:
 PLUG BODY: MOLDED RUBBER
 CONTACTS: COPPER, ELECTROLESS NICKEL FINISH
 INSULATOR: MOLDED RUBBER

ELECTRICAL:
 24-28 VDC
 100 AMPS (LIMITED BY CABLE SIZE)
 400 AMPS INTERMITTENT DUTY
 0.5 MILLIOHMS MAX. CONTACT RESISTANCE

ENVIROMENTAL:
 WATERPROOF
 RESISTANCE TO CORROSION
 RESISTANCE TO PETROLEUM PRODUCTS EXPOSURE
 RESISTANCE TO OZONE EXPOSURE
 RESISTANCE TO FUNGUS EXPOSURE



- NOTES:
1. UP TO 3/4" DIA. SIZE WITH OUT INSERT.
 2. 3/8" DIA. CABLE SIZE WITH INSERT.
(INSERT MAY BE DRILLED UP TO 1/2" DIA. IN SIZE)
 3. BUSHING: ANODIZE MIL-A-865



UNLESS OTHERWISE SPECIFIED: DIMENSIONS ARE IN: INCHES TOLERANCES: .XX: ± .01 .XXX: ± .005 ANGULAR: .X: .XX:	NAME DD 05/01/07	DATE 05/01/07	614 CORPORATE WAY SUITE 8M VALLEY COTTAGE, NY 10980 CAGE CODE: 1HJX9
INTERPRET GEOMETRIC TOLERANCING PER: MATERIAL SEE ABOVE FINISH SEE ABOVE DO NOT SCALE DRAWING	CHECKED RB 05/01/07	COMMENTS:	TITLE: 100 AMP NATO PLUG WITH CABLE STRAIN RELIEF
PROPRIETARY AND CONFIDENTIAL THE INFORMATION CONTAINED IN THIS DRAWING IS THE SOLE PROPERTY OF <INSERT COMPANY NAME HERE>. ANY REPRODUCTION IN PART OR AS A WHOLE WITHOUT THE WRITTEN PERMISSION OF <INSERT COMPANY NAME HERE> IS PROHIBITED.		SIZE B	DWG. NO. SN-215
		SCALE: 1:2	WEIGHT: SHEET 1 OF 1

8 7 6 5 4 3 2 1