

8 7 6 5 4 3 2 1

REVISIONS				
EC #	REV.	DESCRIPTION	DATE	APPROVED
-	A	INITIAL RELEASE	7/30/2009	RB

SPECIFICATIONS:

MATERIAL:

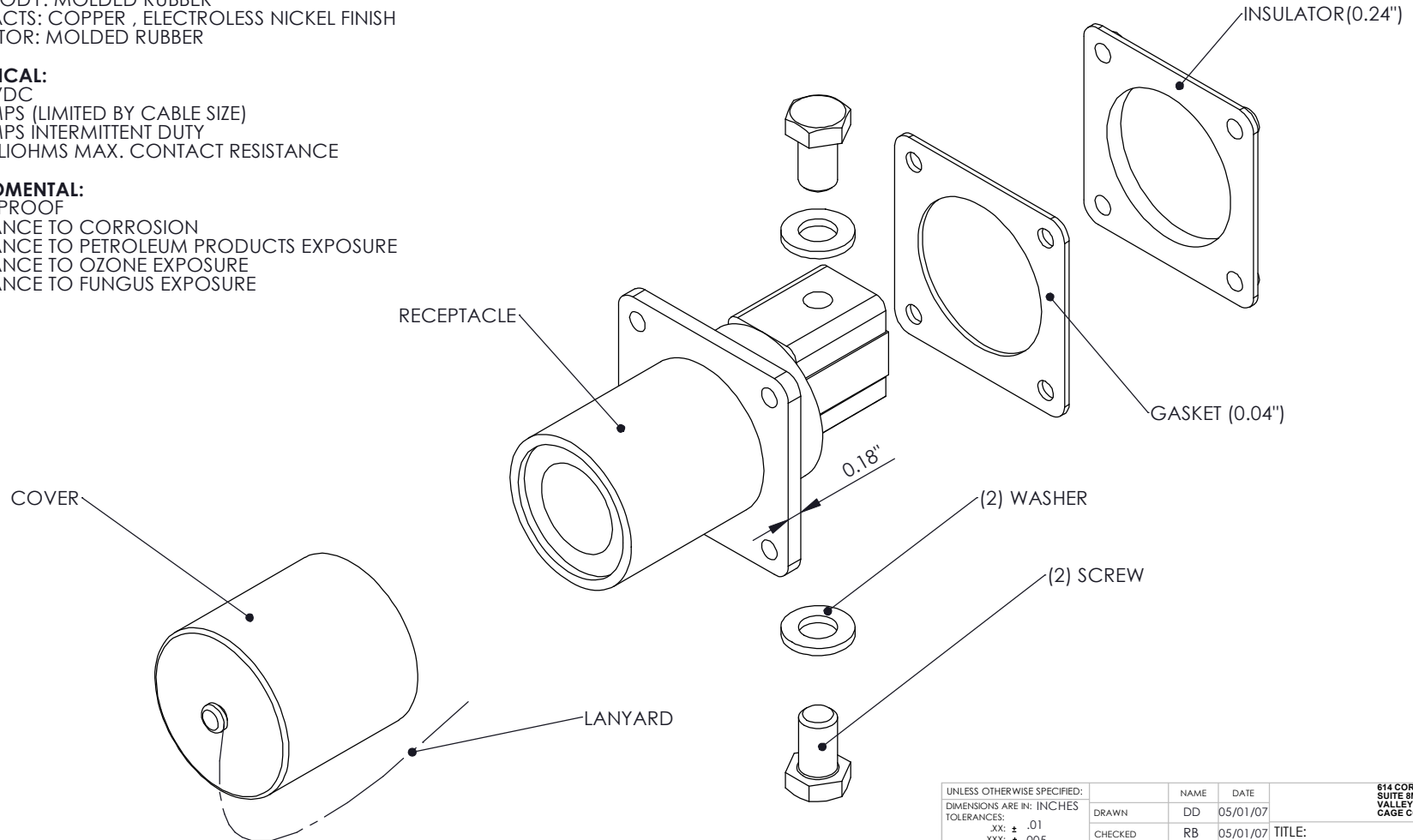
PLUG BODY: MOLDED RUBBER
 CONTACTS: COPPER, ELECTROLESS NICKEL FINISH
 INSULATOR: MOLDED RUBBER

ELECTRICAL:

24-28 VDC
 100 AMPS (LIMITED BY CABLE SIZE)
 400 AMPS INTERMITTENT DUTY
 0.5 MILLIOHMS MAX. CONTACT RESISTANCE

ENVIROMENTAL:

WATERPROOF
 RESISTANCE TO CORROSION
 RESISTANCE TO PETROLEUM PRODUCTS EXPOSURE
 RESISTANCE TO OZONE EXPOSURE
 RESISTANCE TO FUNGUS EXPOSURE



- NOTES:**
1. FOR FUNCTIONALITY EQUIVALENT RECEPTACLE (SEE DWG 11682350)
 2. RECEPTACLES 11674728 & 11682350 ARE NOT INTERCHANGEABLE BY FORM OR FIT.
 3. MATING CONNECTOR PLUG IS NO. 11682338.
 4. MUST MEET REQUIREMENTS OF MIL-C-62122, NATO STANAG-407.

UNLESS OTHERWISE SPECIFIED:		NAME	DATE	614 CORPORATE WAY SUITE 8M VALLEY COTTAGE, NY 10980 CAGE CODE: 1HJX9	
DIMENSIONS ARE IN: INCHES		DRAWN	DD	05/01/07	TITLE: NATO INTERVEHICLE CONNECTOR
TOLERANCES:		CHECKED	RB	05/01/07	
.XX: ± .01 .XXX: ± .005		COMMENTS:			
ANGULAR: .X°: .XX°:		PROPRIETARY AND CONFIDENTIAL		SIZE	DWG. NO.
INTERPRET GEOMETRIC TOLERANCING PER:		THE INFORMATION CONTAINED IN THIS DRAWING IS THE SOLE PROPERTY OF <INSERT COMPANY NAME HERE>. ANY REPRODUCTION IN PART OR AS A WHOLE WITHOUT THE WRITTEN PERMISSION OF <INSERT COMPANY NAME HERE> IS PROHIBITED.		B	SN-216
MATERIAL: SEE ABOVE				SCALE: 1:2	WEIGHT:
FINISH: SEE ABOVE				SHEET 1 OF 1	
DO NOT SCALE DRAWING					

8 7 6 5 4 3 2 1