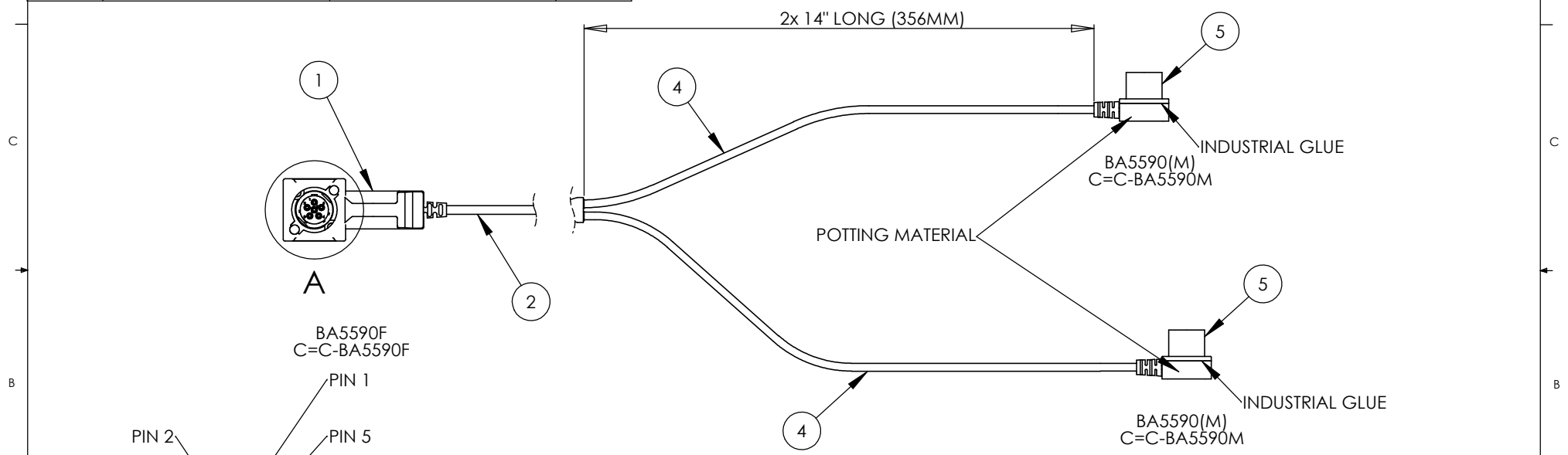
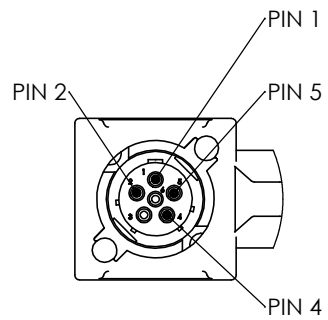


ITEM	DESCRIPTION	PART NUMBER	QTY.
1	6 PIN FEMALE	BA5590F	1
2	18 AWG, 4 COND, WIRE		3"
3	Y- SPLITTER	YS14-0675	1
4	20 AWG, 4 COND, WIRE	TBD	14"
5	6 PIN MALE	BA5590M	2
6	3 AMP Vishay Diode	MBR-340	2

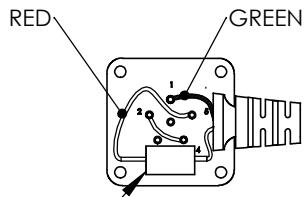
BA-5590 (F)	COLORS	BA-5590 (M)x2
1	RED	1
2	BLACK	2
4	GREEN	4
5	WHITE	5



BA5590F
C=C-BA5590F



**DETAIL A
SCALE 1 : 1
ENLARGED TO SHOW
DETAIL & PIN
LOCATION**



**VISHAY SCHOTTKY RECTIFIER,
(2) 3 AMP
P/N: MBR340**

	A	NEW RELEASE.	11/10/09	RPB
ZONE	REV.	DESCRIPTION	DATE	APPROVED

REVISIONS				
UNLESS OTHERWISE SPECIFIED:	NAME	DATE	SupplyNet	
DIMENSIONS ARE IN:	AAR	111009	614 CORPORATE WAY SUITE 8M VALLEY COTTAGE, NY 10980 CAGE CODE: 1HJX9	
TOLERANCES:	CHECKED	RPB	TITLE:	
.XX: ± .003			BA5590F TO BA5590M CABLE ASSEMBLY	
.XXX: ± .005			SIZE DWG. NO. REV	
ANGULAR:			B SN-302 A	
.X °, 1 °			SCALE: 1:5 WEIGHT: SHEET 1 OF 1	
.XX °, 1 °				
INTERPRET GEOMETRIC TOLERANCING PER:	PROPRIETARY AND CONFIDENTIAL			
MATERIAL NONE	THE INFORMATION CONTAINED IN THIS DRAWING IS THE SOLE PROPERTY OF SUPPLYNET, INC. ANY REPRODUCTION IN PART OR AS A WHOLE WITHOUT THE WRITTEN PERMISSION OF SUPPLYNET, INC IS PROHIBITED.			
FINISH NONE				
DO NOT SCALE DRAWING				