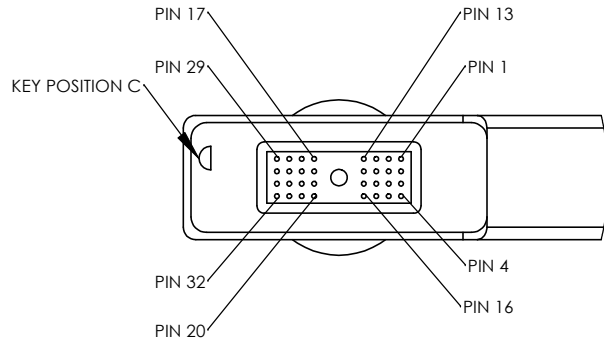
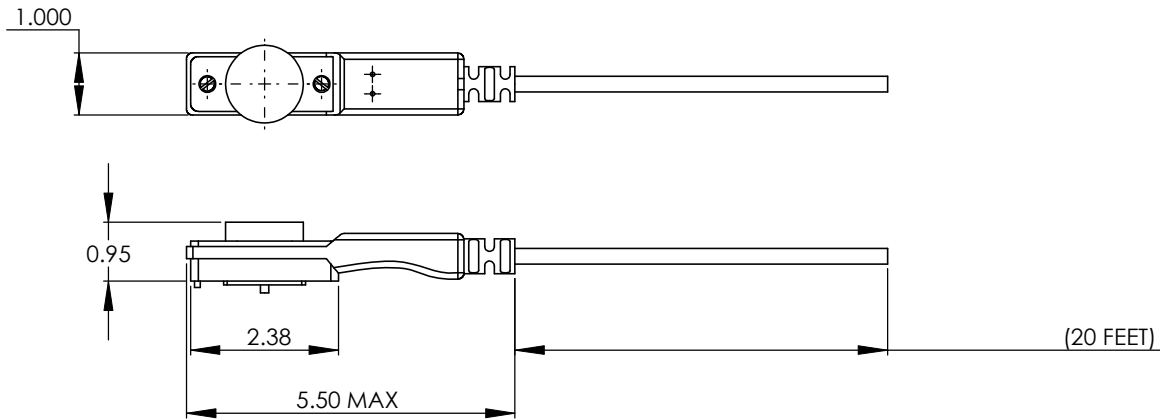
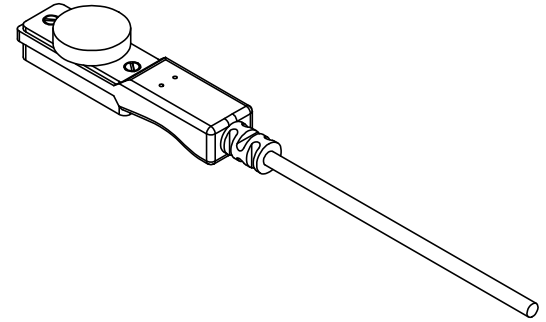


PIN NUMBER	COLORS
E34	BRAIDED SHIELD
E33	BRAIDED SHIELD
28	GREEN (GROUND)
24	YELLOW/WHITE
23	BLACK
22	ORANGE
21	BROWN
20	BLACK/WHITE
19	GREEN/WHITE
18	BROWN/WHITE
27	ORANGE/WHITE
16	YELLOW
15	RED
13	RED/WHITE



DETAIL B



NOTES:

- 28 AWG, 12 CONDUCTOR, 0.205±0.01 OD, TYCO/MADISON CABLE

TE-32C-X, X = CABLE LENGTH

PART NUMBER	LENGTH
TE-32C-06	6 FEET (1829 mm)
TE-32C-20	20 FEET (6096 mm)

OTHER CUSTOM LENGTHS ARE AVAILABLE

UNLESS OTHERWISE SPECIFIED:	NAME	DATE	 614 CORPORATE WAY SUITE 8M VALLEY COTTAGE, NY 10980 CAGE CODE: 1HJX9	
DIMENSIONS ARE IN: INCHES	DRAWN	DD		06/01/09
TOLERANCES:	CHECKED	RB		06/01/09
.XX: ± .01	COMMENTS:			
.XXX: ± .005	PROPRIETARY AND CONFIDENTIAL THE INFORMATION CONTAINED IN THIS DRAWING IS THE SOLE PROPERTY OF <INSERT COMPANY NAME HERE>. ANY REPRODUCTION IN PART OR AS A WHOLE WITHOUT THE WRITTEN PERMISSION OF <INSERT COMPANY NAME HERE> IS PROHIBITED.			
ANGULAR:	TITLE: AN/PRC-152 FOR TELEPHONICS 32 PIN SERIAL DATA CABLE, UN-TERMINATED			
.X°	SIZE	DWG. NO.	REV	
.XX°	B	TE-32C-20-MOD	A	
INTERPRET GEOMETRIC TOLERANCING PER:	SCALE: 1:1	WEIGHT:	SHEET 1 OF 1	
MATERIAL	DO NOT SCALE DRAWING			
FINISH				