

INCH-POUND

MIL-PRF-49471/3A(CR)  
30 November 2000  
Superseding  
MIL-PRF-49471/3(ER)  
2 June 1995

### PERFORMANCE SPECIFICATION SHEET

#### BATTERY, NON-RECHARGEABLE, HIGH PERFORMANCE, BA-X590/U

This specification is approved for use within the Communications Electronics Command, Department of the Army, and is available for use by all Departments and Agencies of the Department of Defense.

The requirements for acquiring the product herein shall consist of this specification and MIL-PRF-49471(CR).

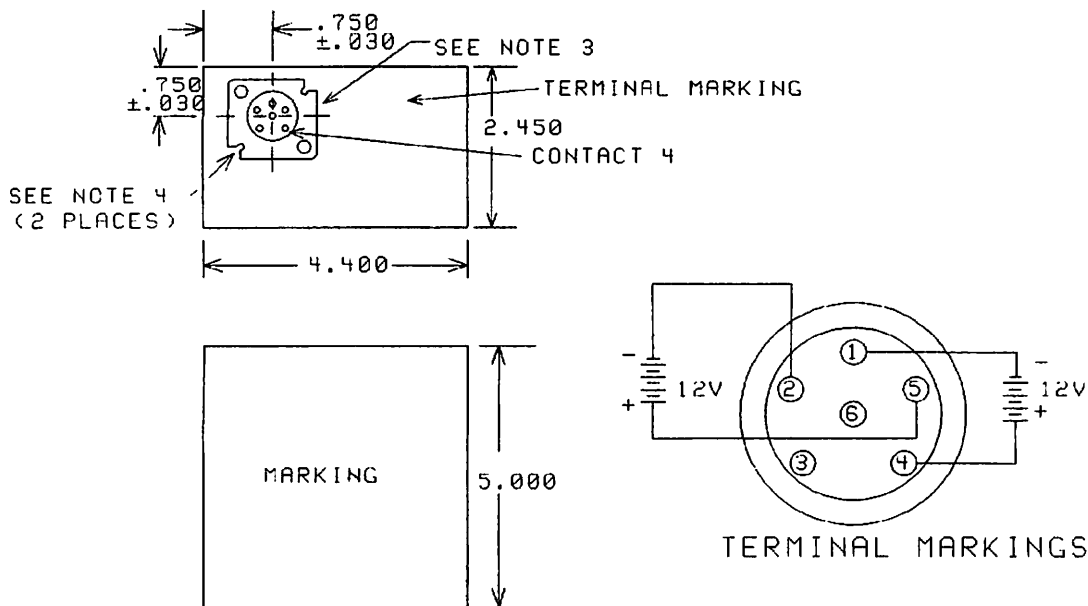


Figure 1. Battery dimensions and terminal markings.

