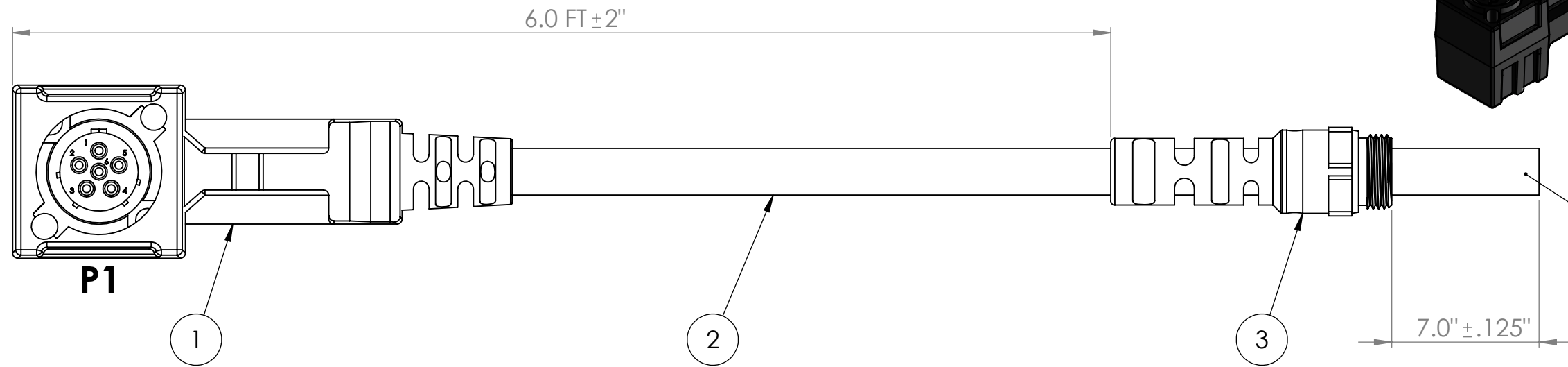
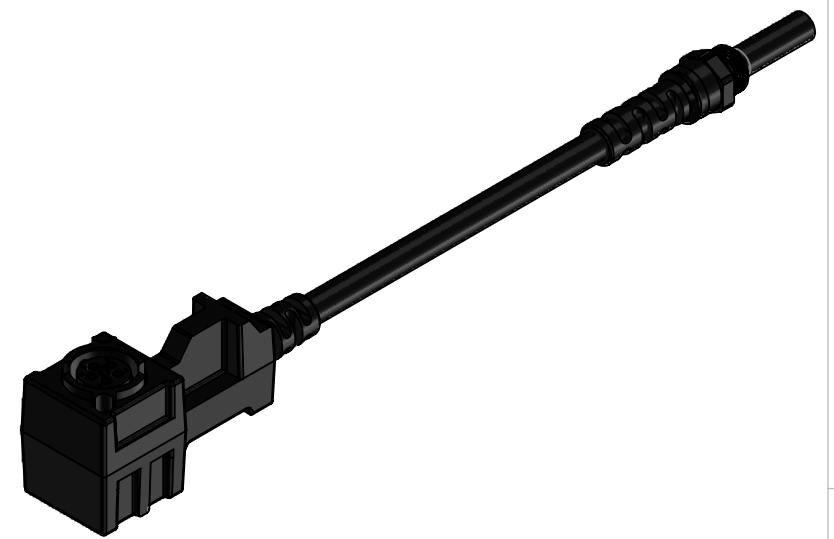


TABLE 1 WIRE RUN	
P1 (ITEM 1)	COLOR
1	RED
2	BLACK
4	BLUE
5	YELLOW
SHELL	BRAIDED SHIELD



BILL OF MATERIALS				
ITEM NO.	PART NUMBER	QTY	NAME	COMMENTS
1	CONN-BA559-FC	1	BA-5590 FEMALE CONNECTOR	
2	51882	79"	AWG 16/22 4C .201" ± .015" Dia.	
3	TBD	1	Strain Relief Wire Assy.	

REV	DATE	UNLESS OTHERWISE SPECIFIED:	NAME	DATE	 706 EXECUTIVE BLVD. SUITE B VALLEY COTTAGE, NY 10989
A	3/26/2015	DIMENSIONS ARE IN INCHES TOLERANCES: FRACTIONAL ± ANGULAR: MACH ± BEND ± TWO PLACE DECIMAL ± THREE PLACE DECIMAL ±	DRAWN	TC	
		INTERPRET GEOMETRIC TOLERANCING PER:	CHECKED	RB	3/26/15
		MATERIAL	ENG APPR.		
		FINISH	MFG APPR.		
NEXT ASSY	USED ON	DO NOT SCALE DRAWING	Q.A.		
APPLICATION			COMMENTS:	Reference SN0353	

TITLE:		
Over Molded Strain Relief Wire Assembly		
SIZE	DWG. NO.	REV
B	SN-404-4C-FC	A
SCALE: 1:1	SHEET 1 OF 1	

PROPRIETARY AND CONFIDENTIAL
 THE INFORMATION CONTAINED IN THIS DRAWING IS THE SOLE PROPERTY OF <INSERT COMPANY NAME HERE>. ANY REPRODUCTION IN PART OR AS A WHOLE WITHOUT THE WRITTEN PERMISSION OF <INSERT COMPANY NAME HERE> IS PROHIBITED.