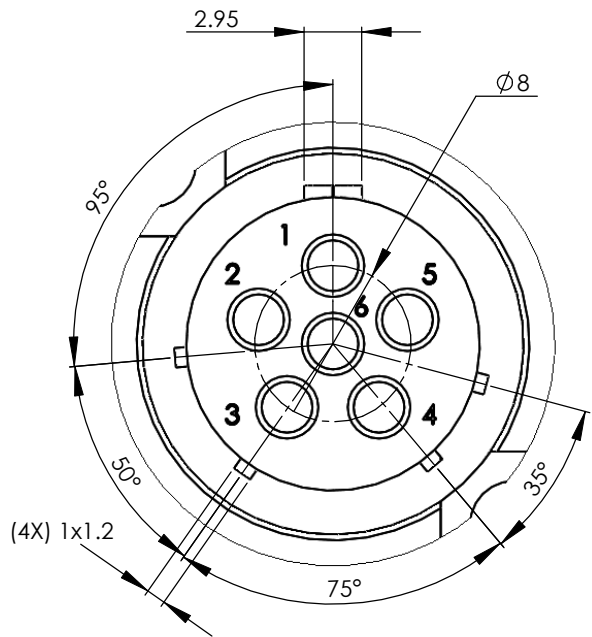
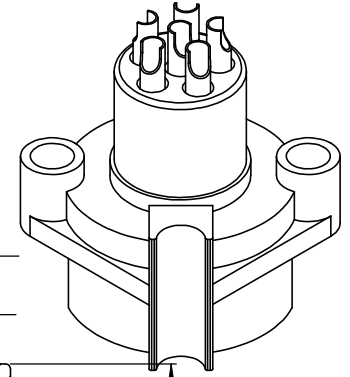
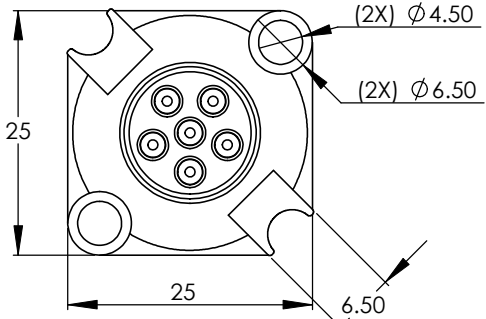


8 7 6 5 4 3 2 1

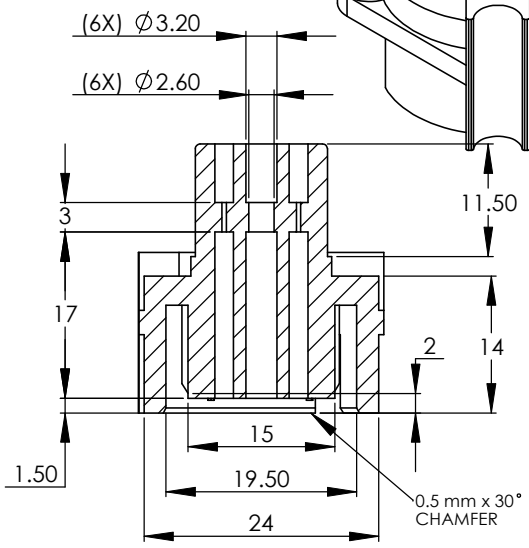
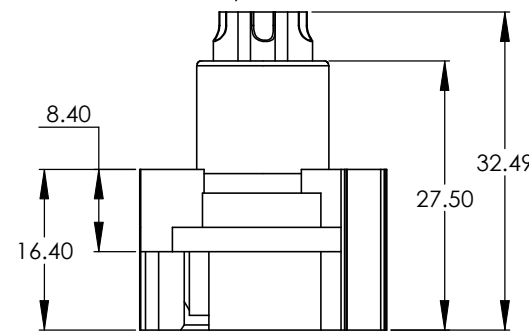
NOTES:

1. HOUSING MATERIAL: PBT
2. CONTACT MATERIAL: BRASS WITH D. Ag 8 SURFACE PLATING
3. DEBURR AND SMOOTH ALL EDGES. HOLE SURFACE ROUGHNESS = Ra 0.8.
4. LETTER HEIGHT: 1.5, PROTRUDE 0.2 mm ABOVE SURFACE.

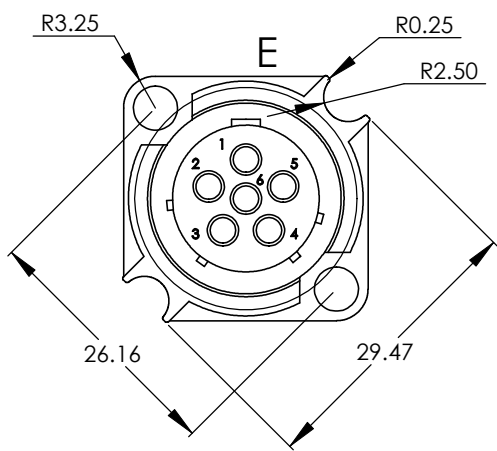
REVISIONS				
ZONE	REV.	DESCRIPTION	DATE	APPROVED
	A	NEW RELEASE.	04/26/10	RPB



MATING INTERFACE
KEY DETAIL
SCALE 4:1



HOUSING
CROSS SECTION



UNLESS OTHERWISE SPECIFIED: DIMENSIONS ARE IN: TOLERANCES: .XX: ± 0.01 .XXX: ± 0.005 ANGULAR: .X°, 1° .XX°; INTERPRET GEOMETRIC TOLERANCING PER: MATERIAL AS PER VENDOR FINISH AS PER VENDOR DO NOT SCALE DRAWING	NAME	DATE	614 CORPORATE WAY SUITE 8M VALLEY COTTAGE, NY 10980 CAGE CODE: 1HJX9	
	DRAWN	AAR		042610
	CHECKED	RPB		042610
	COMMENTS:			
PROPRIETARY AND CONFIDENTIAL THE INFORMATION CONTAINED IN THIS DRAWING IS THE SOLE PROPERTY OF SUPPLYNET, INC. ANY REPRODUCTION IN PART OR AS A WHOLE WITHOUT THE WRITTEN PERMISSION OF SUPPLYNET, INC IS PROHIBITED.			TITLE: BA-5590 FEMALE BATTERY CONNECTOR WITH SOLDER CUP STYLE CONTACT PINS	
SIZE B	DWG. NO. CONN-BA5590-F-SC	REV A	SCALE: 2:1 WEIGHT: SHEET 1 OF 1	

8 7 6 5 4 3 2 1