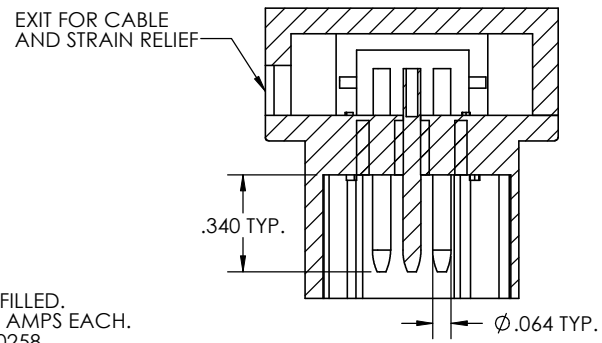
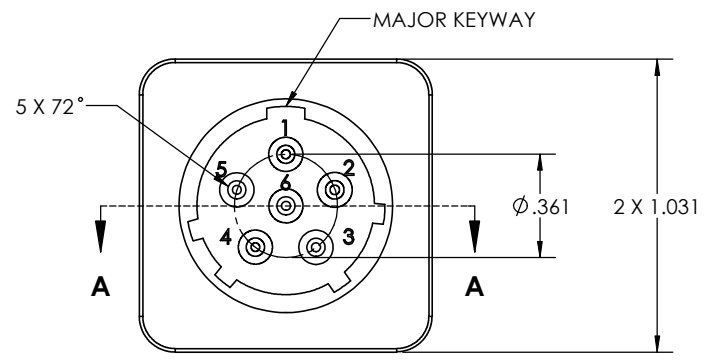
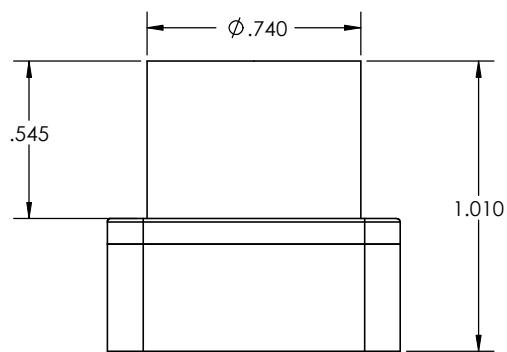
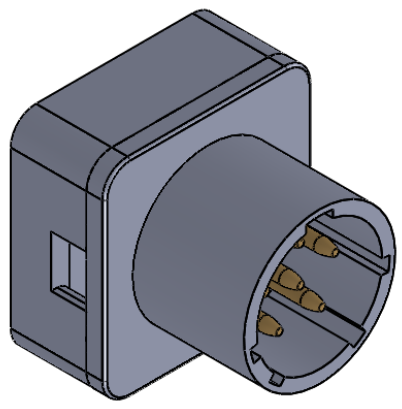


8 7 6 5 4 3 2 1

REV	DATE	DESCRIPTION OF CHANGE	ENG
A	02/21/14	RELEASED. SEE DCN SN0258-	RJB



**SECTION A-A  
SCALE 2.3 : 1**

- NOTES:**
1. SHELL MATERIAL: NYLON 66, 305 GLASS FILLED.
  2. CONTACTS: GOLD PLATED RATED AT 10 AMPS EACH.
  3. REFERENCE SUPPLYNET FILE NUMBER SN0258.

UNLESS OTHERWISE SPECIFIED:		
DIMENSIONS ARE IN: INCHES		
TOLERANCES: .XX: $\pm 0.03$		
.XXX: $\pm 0.005$		
ANGULAR: .X*:1°		
.XX*:0.5°		
BREAK EDGES: .005 - .020		
FILLETS: .005 - .020		
SURFACE FINISH:		
GEOMETRIC TOLERANCING PER: ASME Y14.5 - 2009		
MATERIAL: SEE DRAWING NOTES		
FINISH: SEE DRAWING NOTES		
DO NOT SCALE DRAWING		
DRAWN	RJB	XX/XX/XX
CHECKED	RJB	XX/XX/XX
NAME		DATE
COMMENTS:		
<p><b>PROPRIETARY AND CONFIDENTIAL</b></p> <p>THE INFORMATION CONTAINED IN THIS DRAWING IS THE SOLE PROPERTY OF SUPPLYNET, INC. ANY REPRODUCTION IN PART OR AS A WHOLE WITHOUT THE WRITTEN PERMISSION OF SUPPLYNET, INC. IS PROHIBITED.</p>		
CAGE CODE: 1HJX9		

PART NUMBER: CONN-BA5590-M		
614 CORPORATE WAY SUITE 8H VALLEY COTTAGE, NY 10989		
TITLE: BA5590 MALE CONNECTOR, 5 KEYWAYS.		
SIZE <b>B</b>	DWG. NO. CONN-BA5590-M	REV <b>A</b>
SCALE: NA	WEIGHT:	SHEET 1 OF 1

8 7 6 5 4 3 2 1