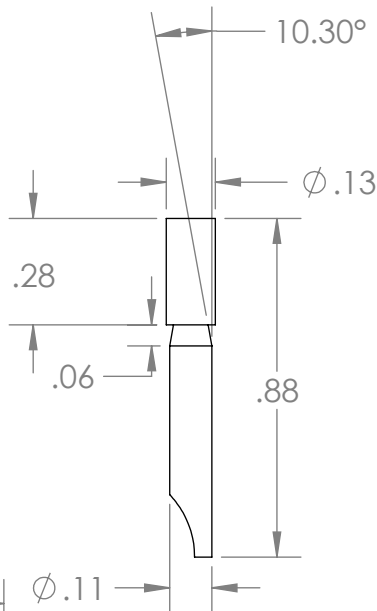
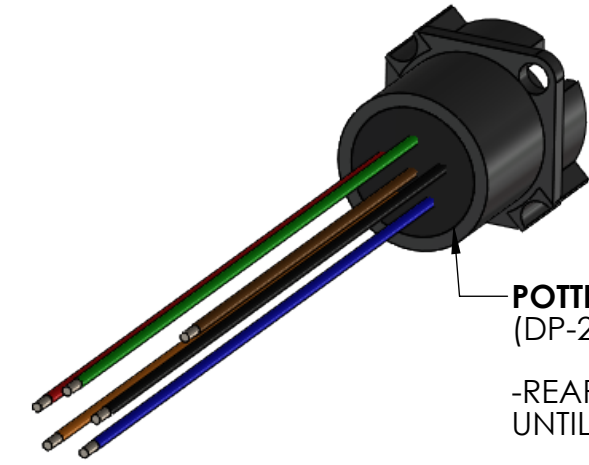
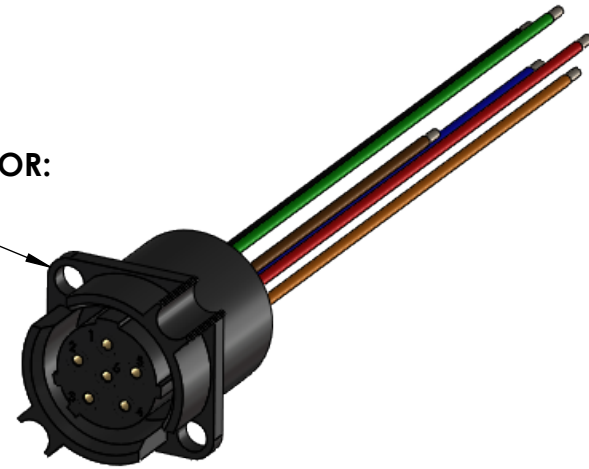


TABLE 1: WIRE RUN LIST		
P1 (ITEM 1)	WIRE COLOR	WIRE LENGTH
1	GREEN	110mm
2	BLACK	110mm
3	BLUE	110mm
4	ORANGE	110mm
5	RED	110mm
6	BROWN	75mm

**PIN DIMENSIONS
(SOLDER CUP, FEMALE)**

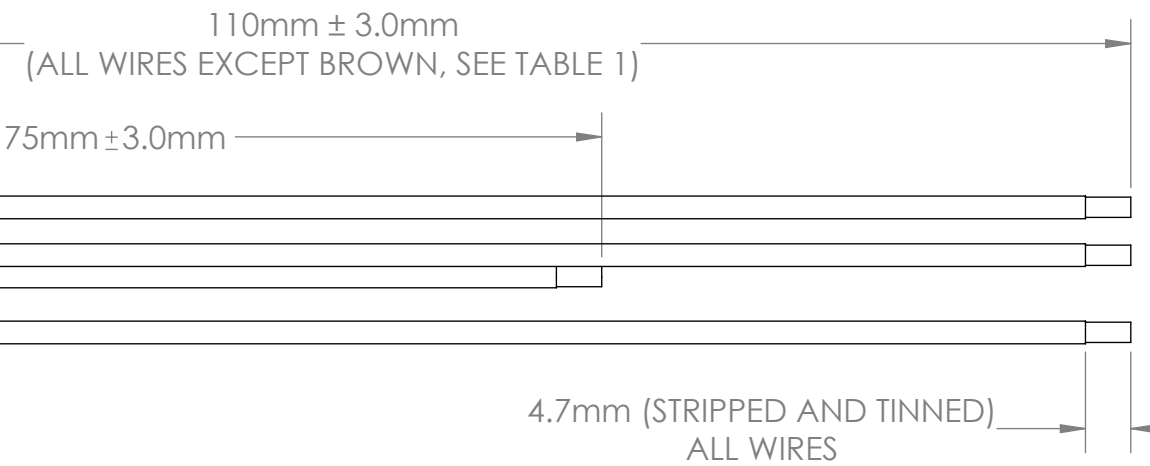
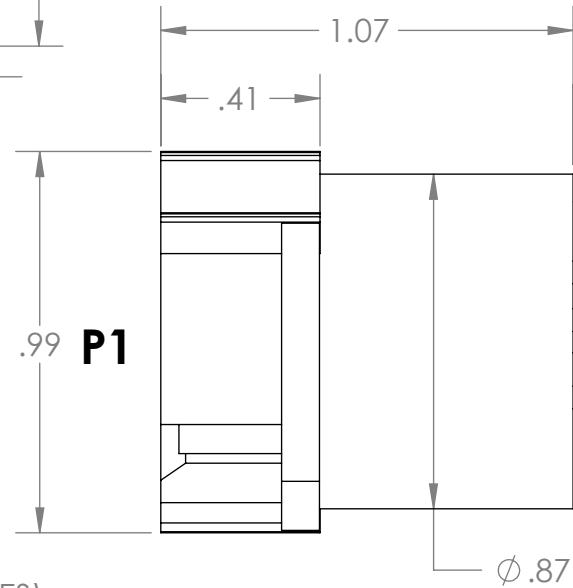
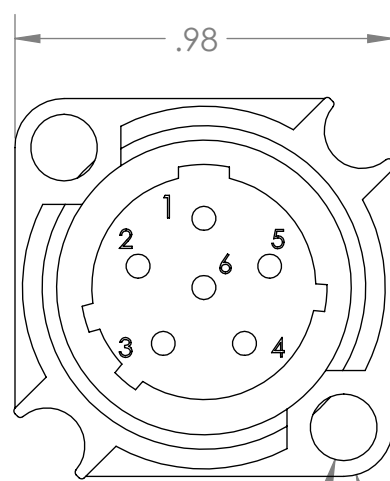


**CONNECTOR COLOR:
BLACK**



**POTTING MATERIAL
(DP-270 OR EQUIVALENT)**

-REAR OF CONNECTOR FILLED
UNTIL PINS ARE COVERED



NOTES: ϕ .17 (2 PLACES) R.13 (2 PLACES)

- ALL WIRES ARE TO BE STRIPPED AND TINNED (4.7mm LENGTH).
- COVER PINS ON REAR OF CONNECTOR WITH POTTING MATERIAL (DP-270 OR EQUIVALENT).

- CONNECTOR SPECIFICATIONS:**
MAX VOLTAGE: 500V
MAX CURRENT: 15A
TEMPERATURE RANGE: -55°C TO +125°C
CONNECTOR MATERIAL: PBT
CONNECTOR COLOR: BLACK

- WIRE SPECIFICATIONS:**
RATED VOLTAGE: 600V
WIRE SECTION AREA: 0.6mm² 19/0.20
WORKING TEMPERATURE: -80°C TO + 280°C
WIRE OD: 1.7mm
WIRE ID: 1.0mm (AWG 18)
INSULATION MATERIAL: PTFE
INSULATION THICKNESS: 0.35mm

- PLACE EACH COMPLETED ASSEMBLY INTO A ZIPPER POLY-BAG. PLACE A LABEL ON THE BAG WITH THE FOLLOWING INFORMATION:

P/N: CONN-BB2590-F-W REV. X (REV. PER PO)

CC: 1HJX9

MFD: MM/YY

(MM = MONTH MANUFACTURED, YY = LAST TWO DIGITS OF YEAR MANUFACTURED)

REV	DATE	DESCRIPTION OF CHANGE	ENG
A	6/26/19	INITIAL REV.	TC

UNLESS OTHERWISE SPECIFIED:		NAME	DATE
DIMENSIONS ARE IN: INCHES		DRAWN	TC 6/26/19
TOLERANCES: .XX: ± 0.03		CHECKED	RB 6/26/19
.XXX: ± 0.005		COMMENTS:	
ANGULAR: .X°: 1°		PROPRIETARY AND CONFIDENTIAL THE INFORMATION CONTAINED IN THIS DRAWING IS THE SOLE PROPERTY OF SUPPLYNET, INC. ANY REPRODUCTION IN PART OR AS A WHOLE WITHOUT THE WRITTEN PERMISSION OF SUPPLYNET INC. IS PROHIBITED.	
.XX°: 0.5°			
BREAK EDGES: .005 - .020			
FILLETS: .005 - .020			
SURFACE FINISH:		CAGE CODE: 1HJX9	
GEOMETRIC TOLERANCING PER: ASME Y14.5 -2009		DO NOT SCALE DRAWING	
MATERIAL: SEE DRAWING NOTES			
FINISH: SEE DRAWING NOTES			

REF. NUMBER: SN0401	
706 EXECUTIVE BLVD. SUITE B VALLEY COTTAGE, NY 10989	
TITLE: BB-2590 BLACK CONNECTOR WITH WIRES	
SIZE B	DWG. NO. CONN-BB2590-F-W
REV A	
SCALE: NA	WEIGHT:
SHEET 1 OF 1	