

TABLE 1: WIRING	
P1	WIRE COLORS
A	WHITE
B	BLACK, SHIELD*
C	N/C

*PIN B ATTACHED TO BLACK WIRE AND CABLE SHIELD

TABLE 2: CABLE LENGTH		
PART NUMBER	"-XX" DIMENSION (INCHES)	TOLERANCE (INCHES)
SN-07006B0034-01	12	+1.0", -0.0"
SN-07006B0034-02	24	+2.0", -0.0"
SN-07006B0034-03	36	+2.0", -0.0"
SN-07006B0034-04	48	+2.0", -0.0"
SN-07006B0034-05	60	+2.0", -0.0"
SN-07006B0034-06	72	+4.0", -0.0"
SN-07006B0034-07	84	+4.0", -0.0"
SN-07006B0034-08	96	+4.0", -0.0"
SN-07006B0034-09	108	+4.0", -0.0"
SN-07006B0034-10	120	+4.0", -0.0"
SN-07006B0034-11	132	+6.0", -0.0"
SN-07006B0034-12	144	+6.0", -0.0"
SN-07006B0034-14	168	+6.0", -0.0"

REV	DATE	DESCRIPTION OF CHANGE	ENG
A	05/06/2019	INITIAL RELEASE	LS

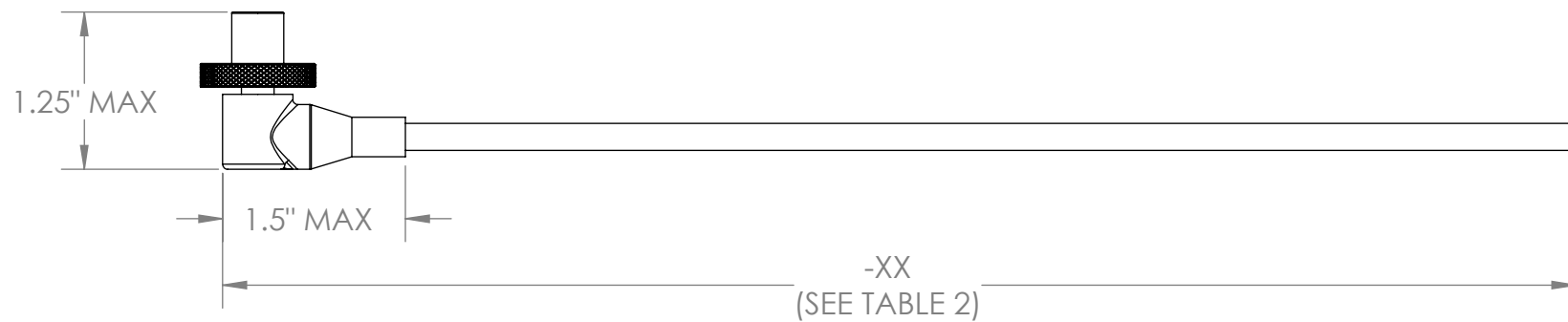
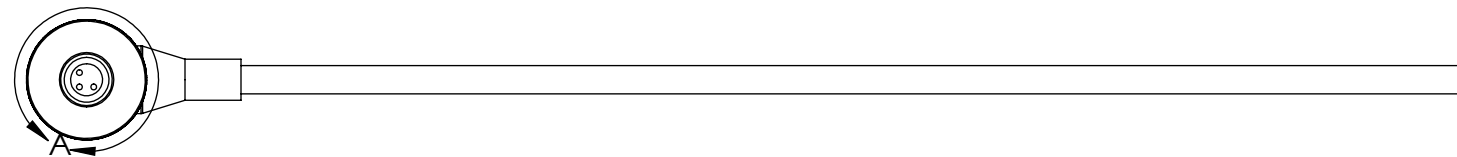
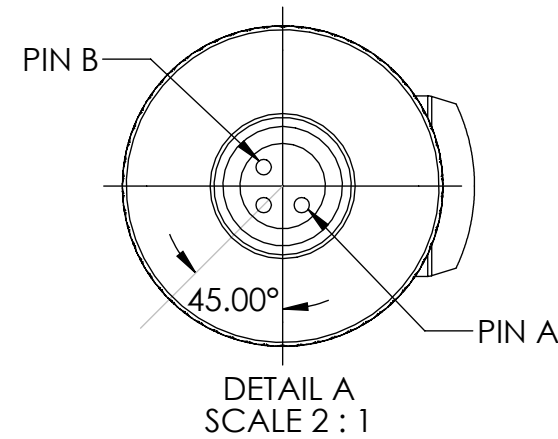


TABLE 3: BILL OF MATERIALS			
ITEM NO.	PART NO	QTY	NAME/DESCRIPTION
1	07006B0035	1	CONNECTOR, DAGR POWER
2	07006B0036	1	SPINNER, DAGR POWER
3	M3432-02LHE(2/20)SJ0250	-XX	CABLE, SHIELDED TWISTED PAIR

NOTES:

- SOLDERING IAW IPC-J-STD-001 CLASS II AS APPLICABLE.
- CABLE ASSEMBLIES TO BE 100% TESTED FOR CONTINUITY AND SHORTS.
- MANUFACTURE AND INSPECT IAW IPC/WHMA A-620 CLASS 2.
- CABLE IS TO BE WIRED ACCORDING TO TABLE 1. PIN B IS TO BE CONNECTED TO CABLE SHIELD.
- CABLE LENGTH ACCORDING TO TABLE 2.
- COMPLETED ASSEMBLIES ARE TO BE PLACED IN A ZIPPER POLY-BAG. PLACE A LABEL ON THE BAG CONTAINING THE FOLLOWING INFORMATION:

SN-07006B0034-XX REV. X (-XX AND REV. X PER PO)
DAGR POWER PIGTAIL
QTY1

UNLESS OTHERWISE SPECIFIED:	NAME	DATE
DIMENSIONS ARE IN: INCHES	DRAWN	LS 5/6/2019
TOLERANCES: .XX: ± 0.03	CHECKED	RB 5/6/2019
.XXX: ± 0.005	COMMENTS:	
ANGULAR: .X°: 1°		
.XX°: 0.5°		
BREAK EDGES: .005 - .020		
FILLETS: .005 - .020		
SURFACE FINISH:		
GEOMETRIC TOLERANCING PER: ASME Y14.5-2009	PROPRIETARY AND CONFIDENTIAL	
MATERIAL: SEE DRAWING NOTES	THE INFORMATION CONTAINED IN THIS DRAWING IS THE SOLE PROPERTY OF SUPPLYNET, INC. ANY REPRODUCTION IN PART OR AS A WHOLE WITHOUT THE WRITTEN PERMISSION OF SUPPLYNET INC. IS PROHIBITED.	
FINISH: SEE DRAWING NOTES		
DO NOT SCALE DRAWING	CAGE CODE: 1HJX9	

REF. NUMBER:	SN0642
SupplyNet	706 EXECUTIVE BLVD. SUITE B VALLEY COTTAGE, NY 10989
TITLE:	CABLE ASSEMBLY, PIGTAIL, DAGR POWER, VARIABLE LENGTH
SIZE	DWG. NO.
B	SN-07006B0034-XX
REV	A
SCALE: NA	WEIGHT:
SHEET 1 OF 1	