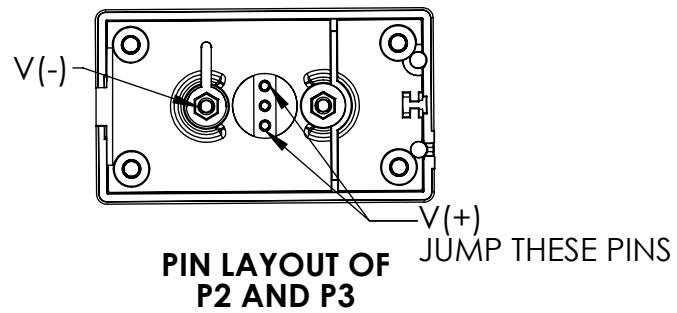
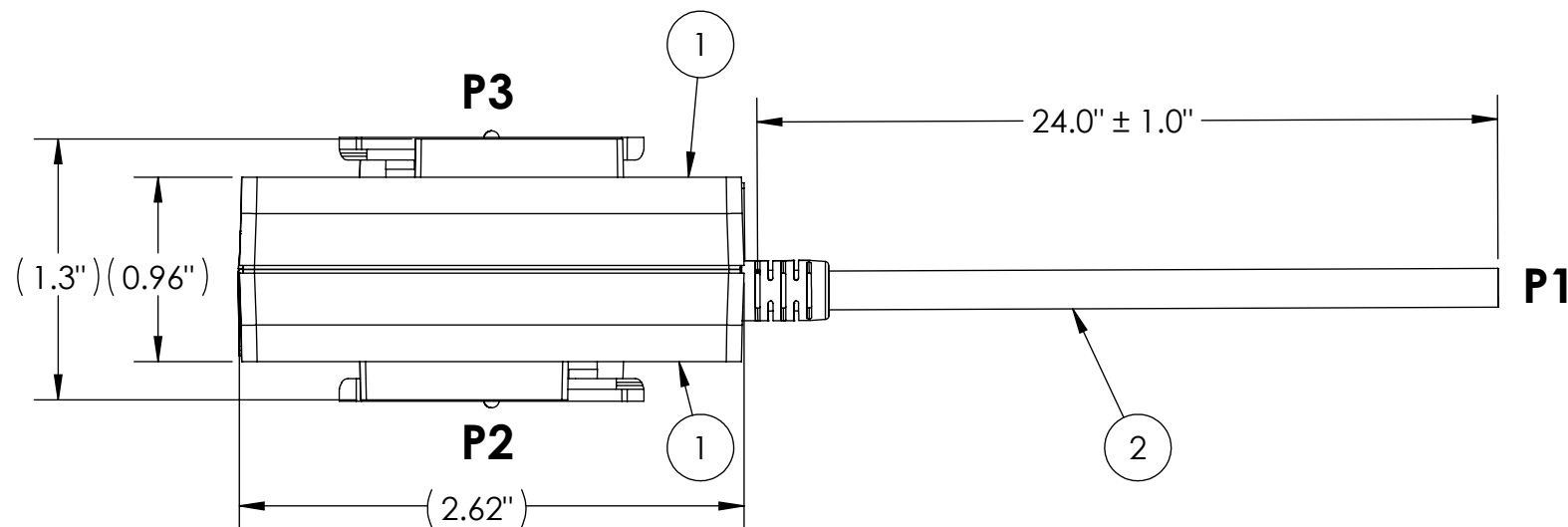
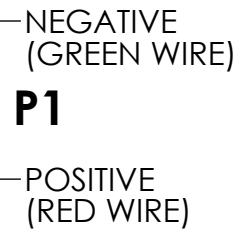
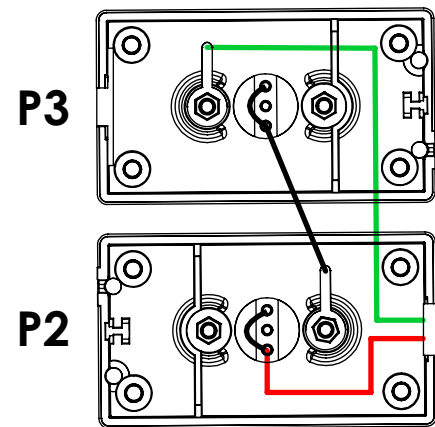


TABLE 1: WIRING				
P1	WIRE COLORS	P2	WIRE COLORS	P3
POSITIVE	RED	V(+)	~	NC
~	~	V(-)	JUMPER	V(+)
NEGATIVE	GREEN	NC	GREEN	V(-)



INSIDE VIEW WIRE DIAGRAM



NOTES:

- SOLDERING IPC-J-STD-001 CLASS II AS APPLICABLE.
- CABLE ASSEMBLIES TO BE TESTED 100% FOR CONTINUITY, SHORTS, AND INSULATION RESISTANCE.
- IDENTIFICATION: BAG AND IDENTIFY ON PACKAGING THE FOLLOWING INFORMATION FOR EACH PART DELIVERED. UOS PART MARKING ON THE WIRE IS PROHIBITED:  
**PN: SN-1034 REV X (REV MARKING PER PO)**  
**CAGE CODE: 1HJX9**  
**DATE OF MFG: MM/YY**
- WIRE PER TABLE 1.
- MANUFACTURE AND INSPECT IAW IPC/WHMA A-620 CLASS 2.

REV	DATE	DESCRIPTION OF CHANGE	ENG
A	1/5/18	INITIAL RELEASE	LS

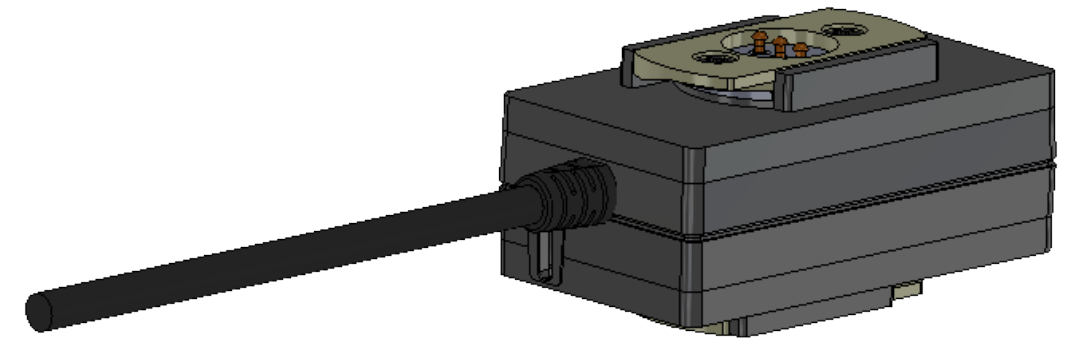


TABLE 2: BILL OF MATERIALS			
ITEM NO.	PART NO	QTY	NAME/DESCRIPTION
1	SN-799	2	MBITR BATTERY CONNECTOR
2	202C-V04A	27"	CABLE, 20AWG *2C, 4.6MM OD

UNLESS OTHERWISE SPECIFIED:		NAME	DATE
DIMENSIONS ARE IN: INCHES	DRAWN	LS	1/5/18
TOLERANCES: .XX: ± 0.03 .XXX: ± 0.005	CHECKED	RB	1/5/18
ANGULAR: .X°: 1° .XX°: 0.5°	COMMENTS:		
BREAK EDGES: .005 - .020			
FILLET: .005 - .020			
SURFACE FINISH:			
GEOMETRIC TOLERANCING PER: ASME Y14.5 -2009	<b>PROPRIETARY AND CONFIDENTIAL</b>		
MATERIAL: SEE DRAWING NOTES	THE INFORMATION CONTAINED IN THIS DRAWING IS THE SOLE PROPERTY OF SUPPLYNET, INC. ANY REPRODUCTION IN PART OR AS A WHOLE WITHOUT THE WRITTEN PERMISSION OF SUPPLYNET INC. IS PROHIBITED.		
FINISH: SEE DRAWING NOTES			
DO NOT SCALE DRAWING	<b>CAGE CODE: 1HJX9</b>		

REF. NUMBER: SN0516

**SupplyNet** 706 EXECUTIVE BLVD.  
SUITE B  
VALLEY COTTAGE, NY 10989

TITLE: **PRC-148/152 DUAL BATTERY ADAPTOR UNTERMINATED, 24V**

SIZE **B** DWG. NO. **SN-1034** REV **A**

SCALE: NA WEIGHT: SHEET 1 OF 1