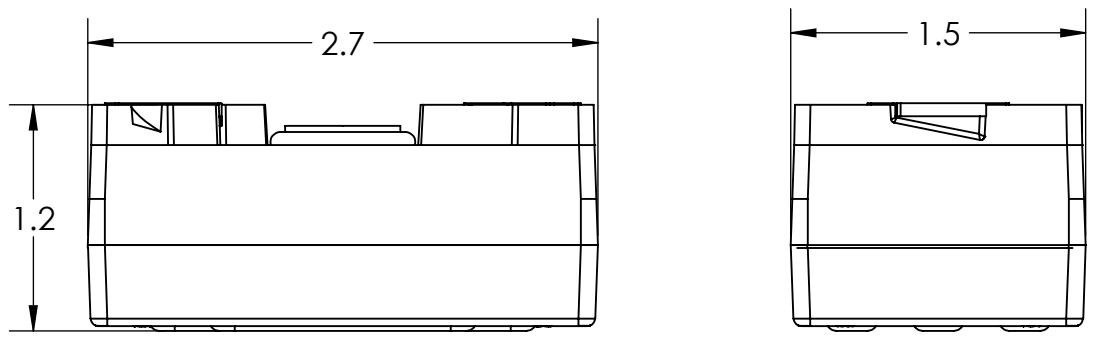
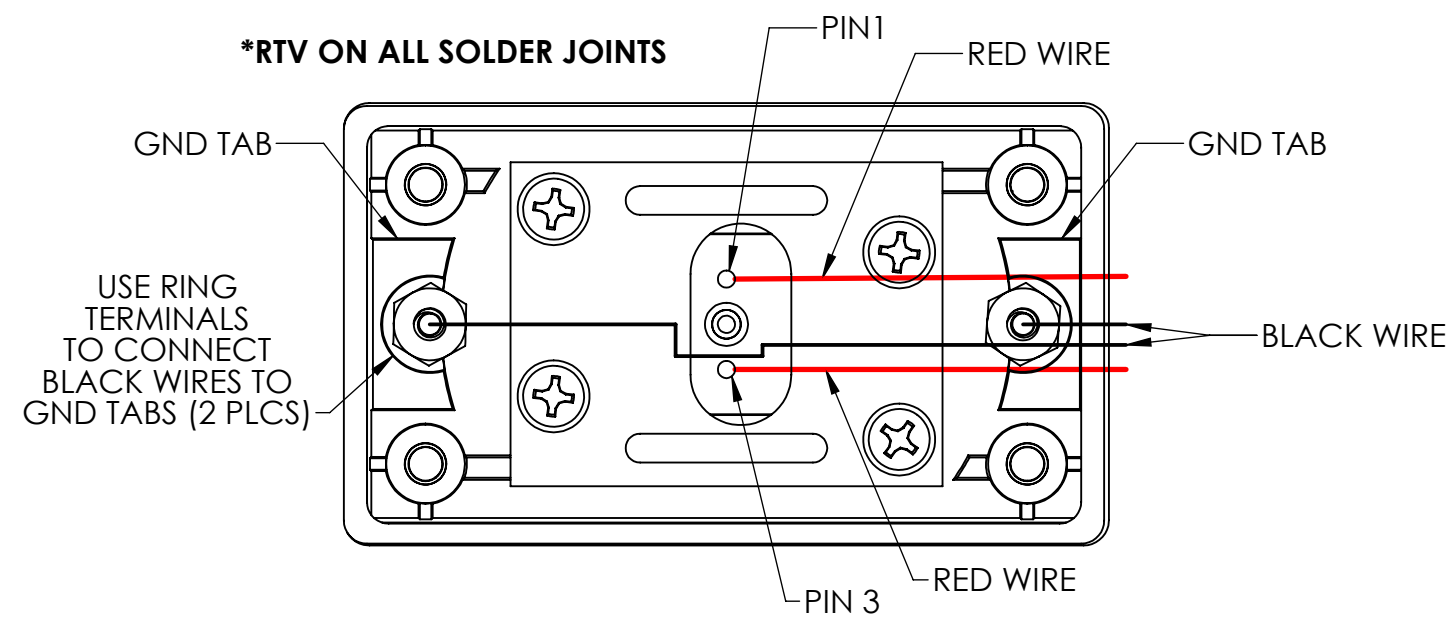
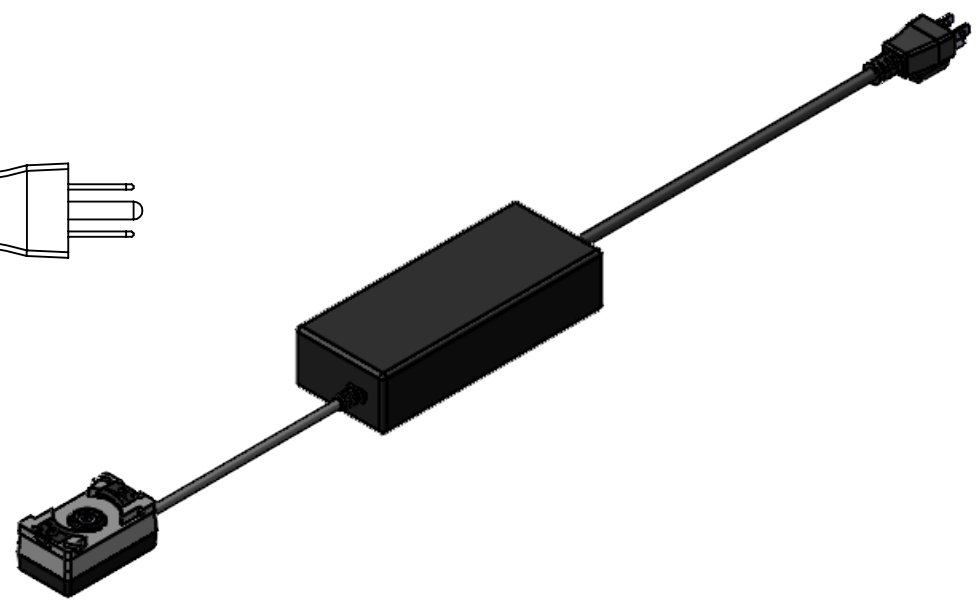
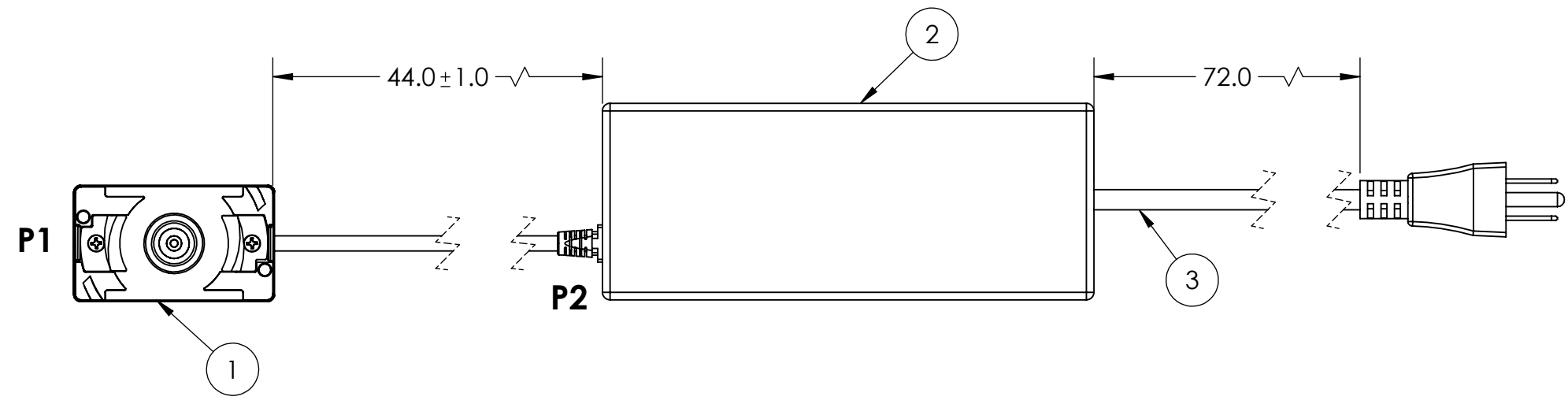


TABLE 1: WIRE RUN LIST		
P1	WIRE COLOR	P2
1, 3	RED (X2)	12V(+)
GND TABS	BLACK (X2)	12V(-)



REVISIONS			
REV.	DESCRIPTION	DATE	ENG
A	INITIAL REV.	9/20/21	MOB
B	CHANGED P1 CONNECTOR ADDED NEW WIRING DIAGRAM ADDED SHEET 2	9/22/21	MOB
C	ADDED NEW VIEWS W/ P1 DIMS ADDED ITEM NO.1 BALLOON	9/23/21	MOB
D	REMOVED FERRITE	9/24/21	MOB



BILL OF MATERIALS			
ITEM NO.	PART NUMBER	QTY	NAME/DESCRIPTION
1	CONN-PRC163 ASSEMBLY	1	CONN-PRC163 ASSEMBLY
2	SDI200-12-U-P51	1	CUI INC. POWER SUPPLY, OUTPUT: 12V, 16A.
3	AC-C13 NA	1	18 AWG NEMA5-15P - IEC320 6' POWER CORD

- NOTES:
- WIRE FUNCTION: SEE TABLE 1 WIRE RUN LIST.
 - ALL SOLDER JOINTS TO BE COVERED IN RTV. NO CONTACTS SHOULD BE VISIBLE AFTER APPLICATION OF RTV.
 - TIGHTEN REAR SCREWS (ITEM NO. 7 ON SHEET 2) TO 5 IN/LBS.
 - ASSEMBLY TO BE 100% TESTED FOR CONTINUITY, SHORTS, AND OUTPUT VOLTAGE.
 - SOLDERING: IAW IPC-J-STD-001 CLASS II AS APPLICABLE.
 - IDENTIFICATION: BAG AND IDENTIFY ON PACKAGING THE FOLLOWING INFORMATION FOR EACH PART DELIVERED.
PN: SN-1077-192W REV. X (REV "X" AS PER PO).
CAGE CODE: 1HJX9
MFD: MM/YY
 - MANUFACTURE AND INSPECT IAW IPC/WHMA A-620 CLASS 2.

UNLESS OTHERWISE SPECIFIED:	NAME	DATE
DIMENSIONS ARE IN: INCHES	DRAWN	MOB 9/20/2021
TOLERANCES: .XX: ± 0.03	CHECKED	RB 9/20/2021
.XXX: ± 0.005	COMMENTS:	
ANGULAR: .X*: 1°		
.XX*: 0.5°		
BREAK EDGES: .005 - .020		
FILLETS: .005 - .020		
SURFACE FINISH:		
GEOMETRIC TOLERANCING PER: ASME Y14.5 -2009	PROPRIETARY AND CONFIDENTIAL	
MATERIAL: SEE DRAWING NOTES	THE INFORMATION CONTAINED IN THIS DRAWING IS THE SOLE PROPERTY OF SUPPLYNET, INC. ANY REPRODUCTION IN PART OR AS A WHOLE WITHOUT THE WRITTEN PERMISSION OF SUPPLYNET INC. IS PROHIBITED.	
FINISH: SEE DRAWING NOTES		
DO NOT SCALE DRAWING	CAGE CODE: 1HJX9	

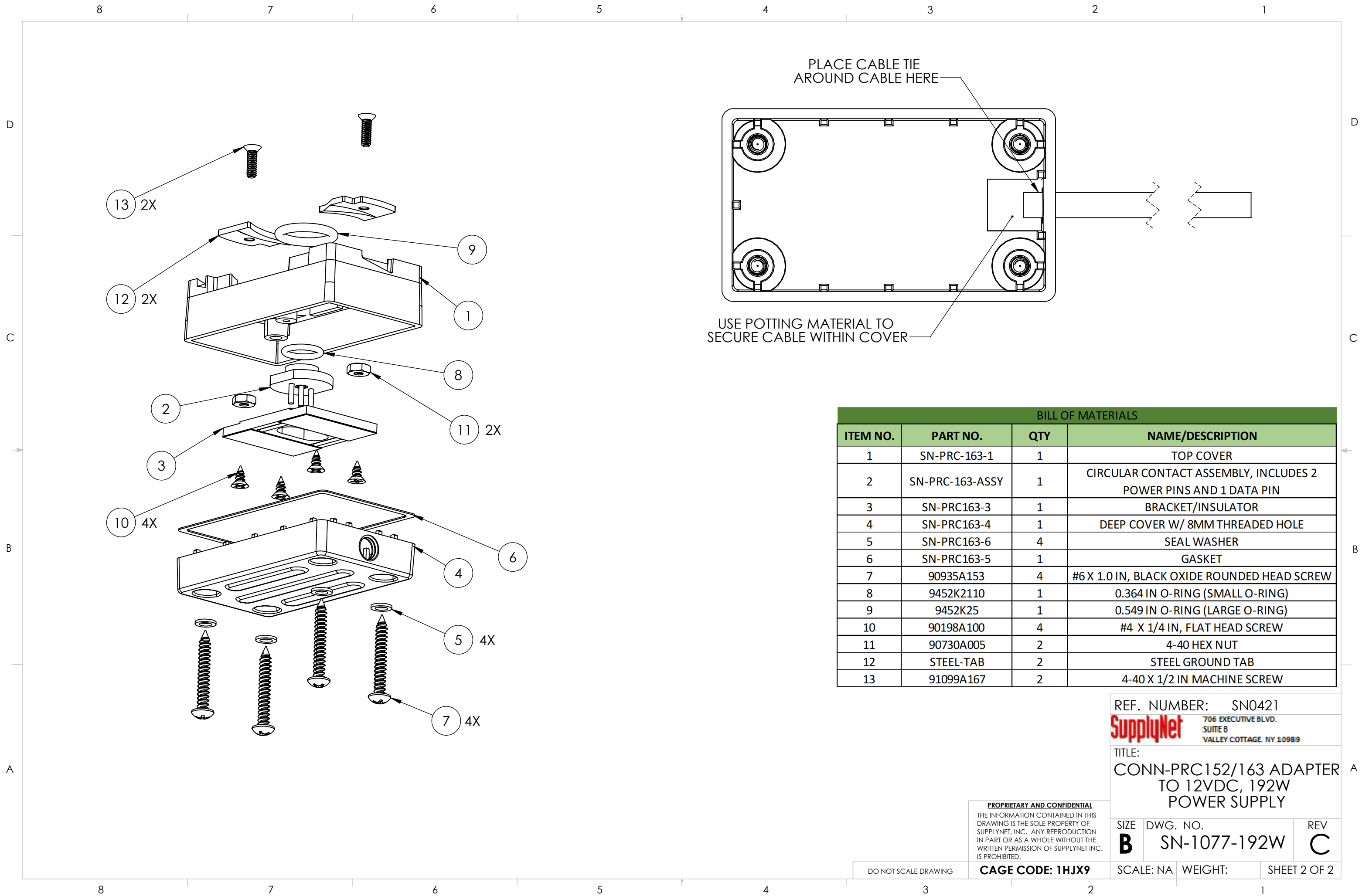
REF. NUMBER: SN0421

SupplyNet 706 EXECUTIVE BLVD.
SUITE B
VALLEY COTTAGE, NY 10989

TITLE:
CONN-PRC152/163 ADAPTER TO 12VDC, 192W, POWER SUPPLY

SIZE	DWG. NO.	REV
B	SN-1077-192W	D

SCALE: NA WEIGHT: SHEET 1 OF 2



PLACE CABLE TIE
AROUND CABLE HERE

USE POTTING MATERIAL TO
SECURE CABLE WITHIN COVER

BILL OF MATERIALS

ITEM NO.	PART NO.	QTY	NAME/DESCRIPTION
1	SN-PRC-163-1	1	TOP COVER
2	SN-PRC-163-ASSY	1	CIRCULAR CONTACT ASSEMBLY, INCLUDES 2 POWER PINS AND 1 DATA PIN
3	SN-PRC163-3	1	BRACKET/INSULATOR
4	SN-PRC163-4	1	DEEP COVER W/ 8MM THREADED HOLE
5	SN-PRC163-6	4	SEAL WASHER
6	SN-PRC163-5	1	GASKET
7	90935A153	4	#6 X 1.0 IN, BLACK OXIDE ROUNDED HEAD SCREW
8	9452K2110	1	0.364 IN O-RING (SMALL O-RING)
9	9452K25	1	0.549 IN O-RING (LARGE O-RING)
10	90198A100	4	#4 X 1/4 IN, FLAT HEAD SCREW
11	90730A005	2	4-40 HEX NUT
12	STEEL-TAB	2	STEEL GROUND TAB
13	91099A167	2	4-40 X 1/2 IN MACHINE SCREW

PROPRIETARY AND CONFIDENTIAL
THE INFORMATION CONTAINED IN THIS DRAWING IS THE SOLE PROPERTY OF SUPPLYNET, INC. ANY REPRODUCTION IN PART OR AS A WHOLE WITHOUT THE WRITTEN PERMISSION OF SUPPLYNET INC. IS PROHIBITED.

REF. NUMBER: SN0421
SupplyNet 706 EXECUTIVE BLVD.
SUITE B
VALLEY COTTAGE, NY 10989

TITLE:
CONN-PRC152/163 ADAPTER
TO 12VDC, 192W
POWER SUPPLY

SIZE B	DWG. NO. SN-1077-192W	REV C
------------------	--------------------------	-----------------

DO NOT SCALE DRAWING **CAGE CODE: 1HJX9** SCALE: NA WEIGHT: SHEET 2 OF 2