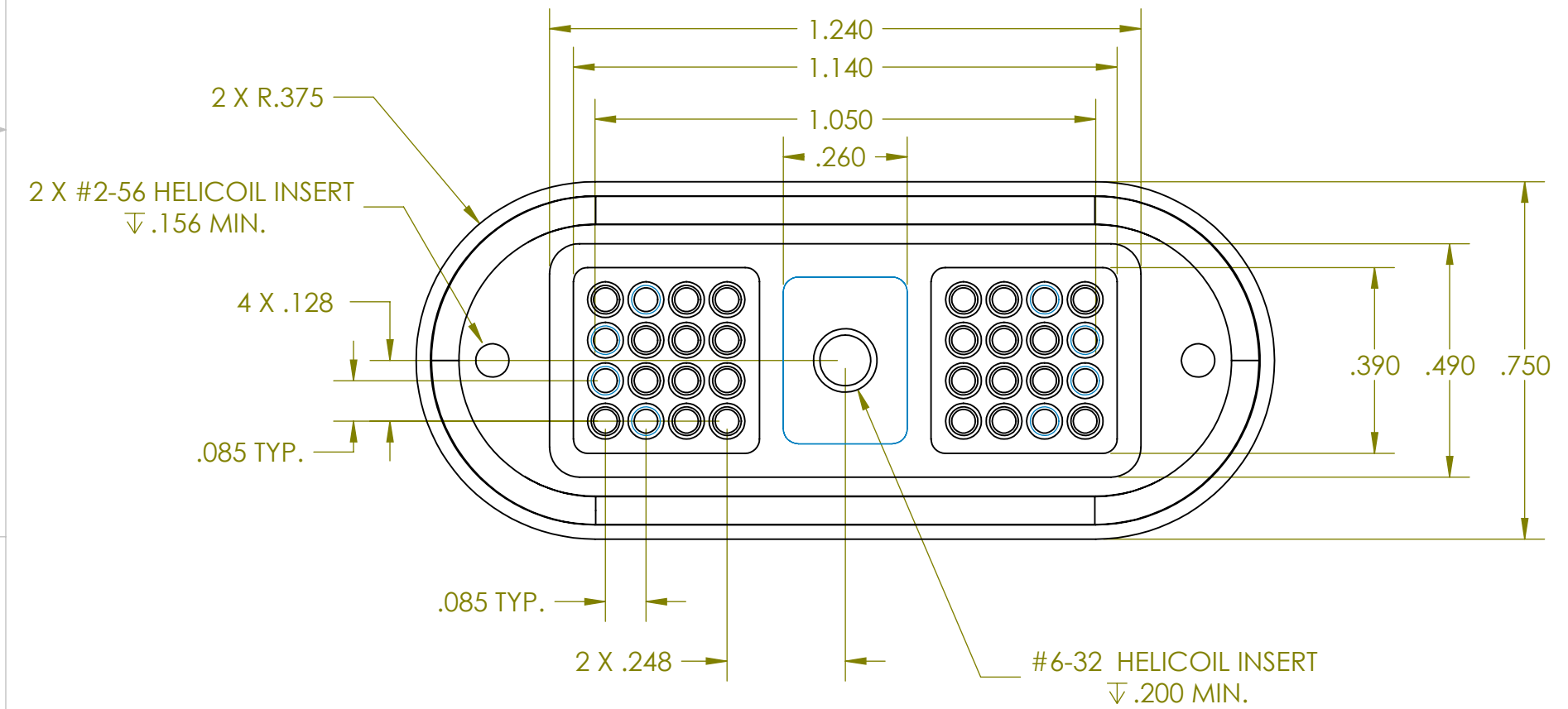
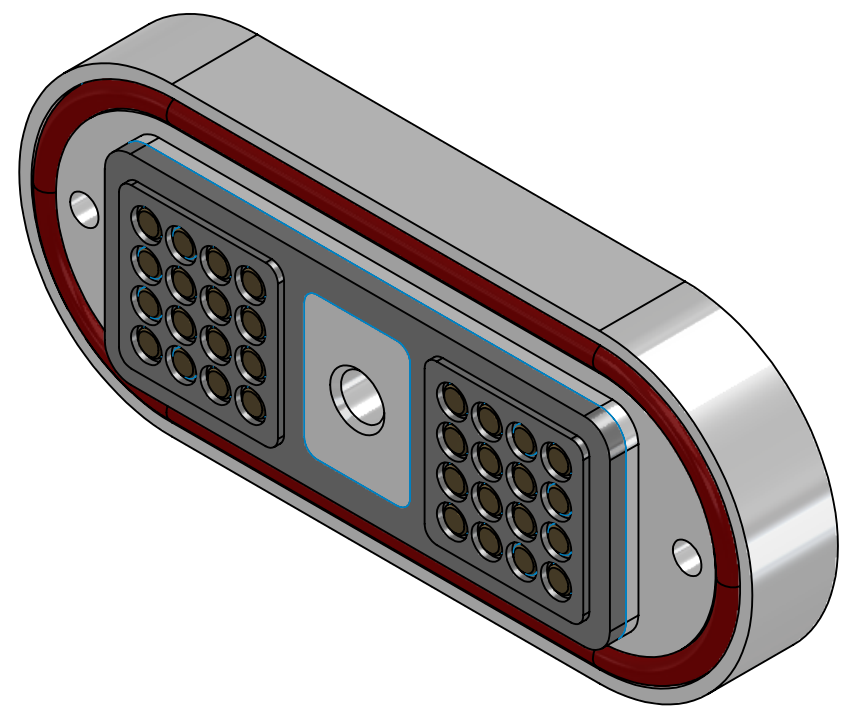
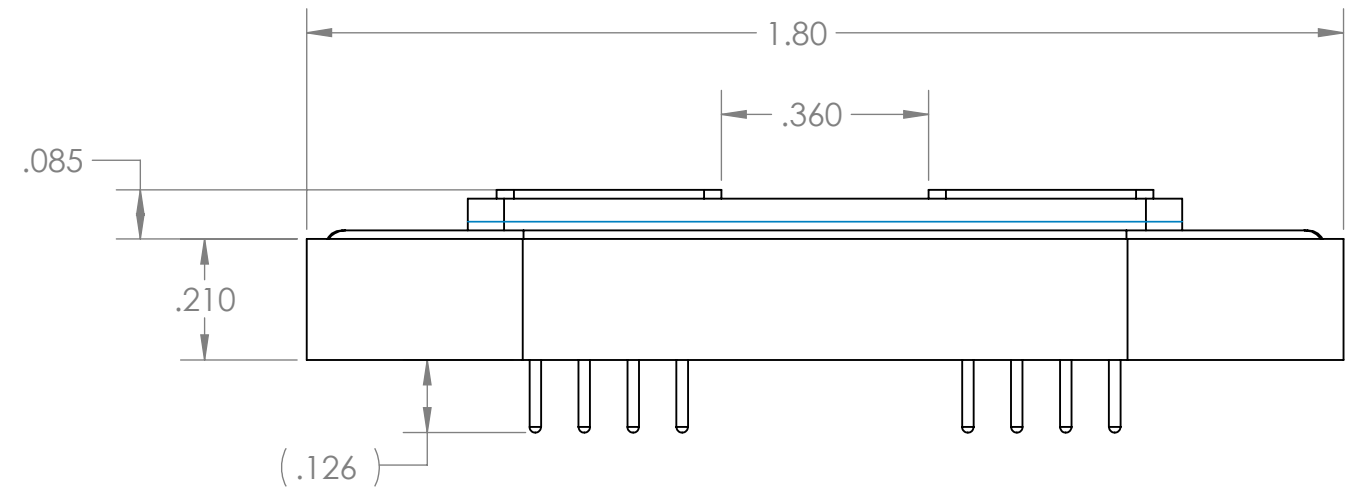


REV	DATE	DESCRIPTION OF CHANGE	ENG
B	06/20/20	CORRECTED MODEL REFERENCE	TC



SPECIFICATIONS	
MATERIAL FINISH	
HOUSING	ALUMINUM ALLOY PER UNS A96061 TEMPER T6 (6061-T6)
	PLATED WITH MATT ELECTROLESS NICKEL CLASS 4, GRADE B (.0005/.00075 IN. THK) PER MIL -C 26074.
INSULATOR	NON CONDUCTIVE PLASTIC, COLOR BLACK
GASKET	SILICONE, RED
ELECTRICAL PROPERTIES	
VOLTAGE	100 VDC MAX @ 125C
AMPERAGE	5A MAX
MIL-STD	
OPERATING TEMPERATURE	-55C TO 85C
AIR PRESSURE	2.8 PSI LEAK TEST FOR 30 MINUTES, BOTH DIRECTIONS
SAND AND DUST	MIL-STD-810E, METHOD 510.3
FUNGUS	MIL-STD-810E, METHOD 508.4 FOR 28 DAYS
SALT FOG	MIL-STD-810E, METHOD 5109.1

UNLESS OTHERWISE SPECIFIED:
 DIMENSIONS ARE IN: INCHES
 TOLERANCES: .XX: ± 0.03
 .XXX: ± 0.005
 ANGULAR: .X°: 1°
 .XX°: 0.5°
 BREAK EDGES: .005 - .020
 FILLETS: .005 - .020
 SURFACE FINISH:
 GEOMETRIC TOLERANCING
 PER: ASME Y14.5-2009
 MATERIAL: SEE DRAWING NOTES
 FINISH: SEE DRAWING NOTES
 DO NOT SCALE DRAWING

NAME	DATE
DRAWN: TC	08/18/16
CHECKED: RJB	08/18/16
COMMENTS:	

REF. NUMBER: SN0166

SupplyNet 706 EXECUTIVE BLVD.
SUITE B
VALLEY COTTAGE, NY 10989

TITLE:
**UN-FILTERED
RAPID MATE CONNECTOR
(REPLACES 58-001-015)**

SIZE B	DWG. NO. SN-12053-5225-N8	REV B
------------------	-------------------------------------	-----------------

CAGE CODE: 1HJX9 SCALE: NA WEIGHT: SHEET 1 OF 1