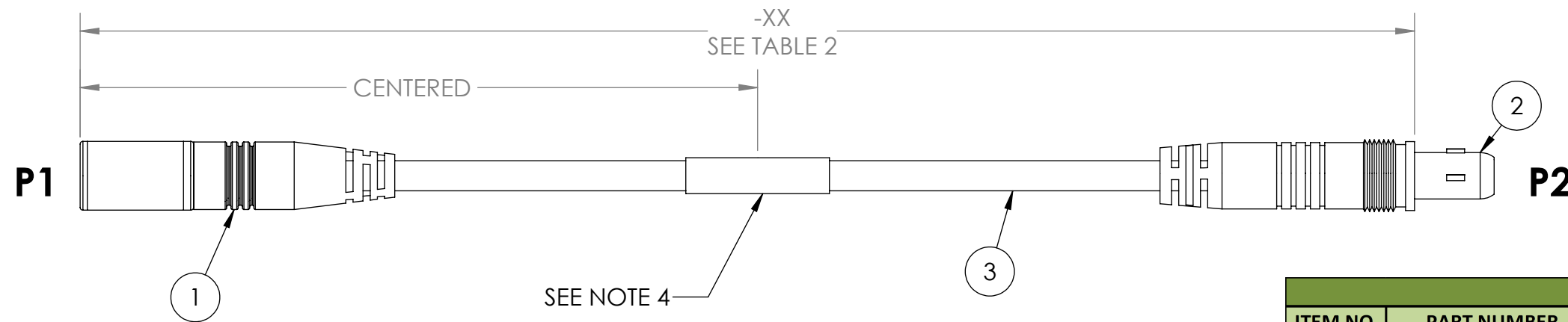
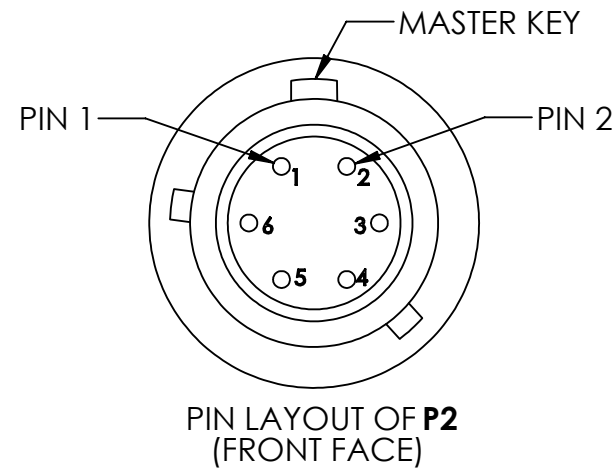
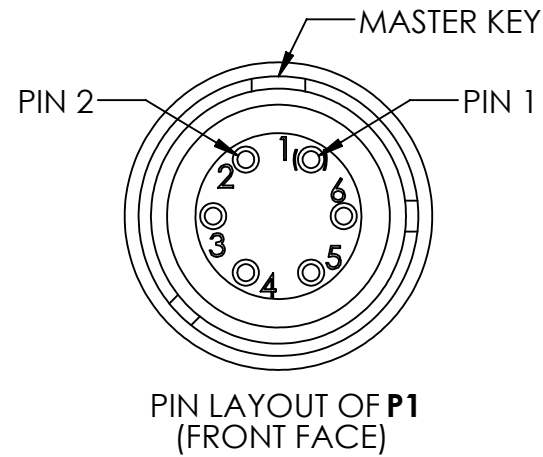


TABLE 1. WIRE RUN LIST		
P1 (ITEM 1)	COLOR	P2 (ITEM 2)
1	RED	1
2	BLACK	2
3	BROWN	3
4	GREEN	4
5	WHITE	5
6	ORANGE	6
SHELL	SHIELD	SHELL

TABLE 3: WIRE LENGTH TABLE		
"-XX" FROM P/N	"XX" DIMENSION (IN.)	TOLERANCE (INCHES)
1.5	18.0"	± 0.5"
2	24.0"	± 0.5"
4	48.0"	± 1.0"
7	84.0"	± 2.0"
10	120.0"	± 3.0"
12	144.0"	± 5.0"
14	168.0"	± 5.5"

REV	DATE	DESCRIPTION OF CHANGE	ENG
B	10/27/20	INITIAL REV.	TC



BILL OF MATERIALS			
ITEM NO.	PART NUMBER	QTY	NAME/DESCRIPTION
1	807-348-01ZNU6-6SY	1	CONNECTOR, FEMALE, GLENAIR PN
2	807-309-06ZNU6-6PY	1	CONNECTOR, MALE, GLENAIR PN
3	88006SS7.AB	XX	6C WIRE

NOTES:

- SOLDERING IPC-J-STD-001 CLASS II AS APPLICABLE.
- CABLE ASSEMBLIES TO BE TESTED 100% FOR CONTINUITY, SHORTS, AND INSULATION RESISTANCE.
- IDENTIFICATION: BAG AND IDENTIFY ON PACKAGING THE FOLLOWING INFORMATION FOR EACH PART DELIVERED. UOS PART MARKING ON THE WIRE IS PROHIBITED:
PN: SN-1242-XX REV X (REV MARKING PER PO)
CAGE CODE: 1HJX9
DATE OF MFG: MM/YY
- WIRE PER TABLE 1.

UNLESS OTHERWISE SPECIFIED:		NAME	DATE
DIMENSIONS ARE IN: INCHES		DRAWN	TC 10/26/20
TOLERANCES: .XX: ± 0.03		CHECKED	RJB 10/26/20
.XXX: ± 0.005		COMMENTS:	
ANGULAR: .X°: 1°		PROPRIETARY AND CONFIDENTIAL THE INFORMATION CONTAINED IN THIS DRAWING IS THE SOLE PROPERTY OF SUPPLYNET, INC. ANY REPRODUCTION IN PART OR AS A WHOLE WITHOUT THE WRITTEN PERMISSION OF SUPPLYNET INC. IS PROHIBITED.	
.XX*: 0.5°		CAGE CODE: 1HJX9	
BREAK EDGES: .005 - .020		SCALE: NA WEIGHT: SHEET 1 OF 1	
FILLETS: .005 - .020			
SURFACE FINISH:			
GEOMETRIC TOLERANCING PER: ASME Y14.5 -2009			
MATERIAL: SEE DRAWING NOTES			
FINISH: SEE DRAWING NOTES			
DO NOT SCALE DRAWING			

REF. NUMBER: SN0421

SupplyNet 706 EXECUTIVE BLVD. SUITE B VALLEY COTTAGE, NY 10989

NETWARRIOR BATTERY CONNECTOR FEMALE TO MALE

SIZE **B** DWG. NO. **SN-1242-XX** REV **B**