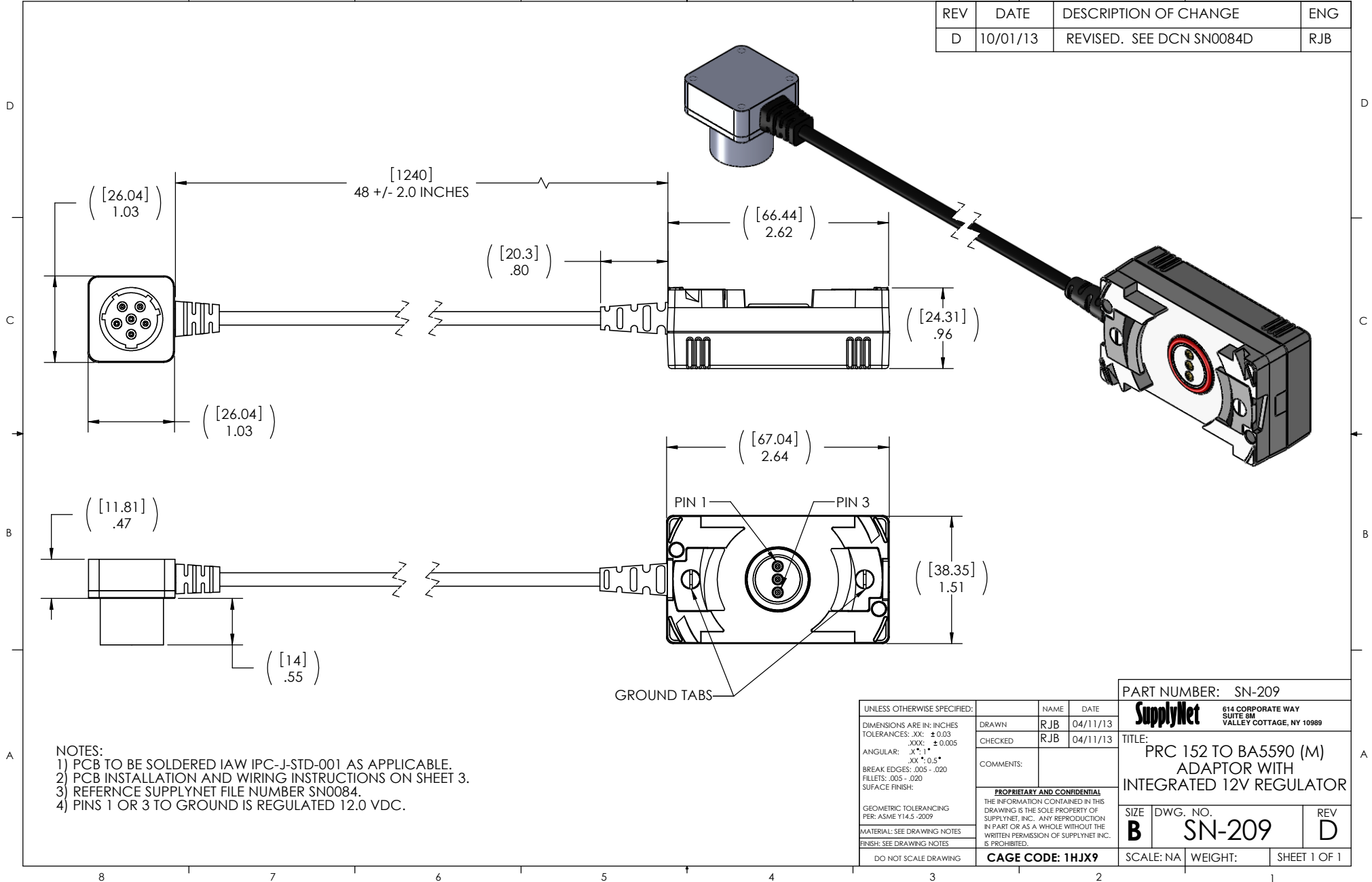


REV	DATE	DESCRIPTION OF CHANGE	ENG
D	10/01/13	REVISED. SEE DCN SN0084D	RJB



- NOTES:
 1) PCB TO BE SOLDERED IAW IPC-J-STD-001 AS APPLICABLE.
 2) PCB INSTALLATION AND WIRING INSTRUCTIONS ON SHEET 3.
 3) REFERENCE SUPPLYNET FILE NUMBER SN0084.
 4) PINS 1 OR 3 TO GROUND IS REGULATED 12.0 VDC.

UNLESS OTHERWISE SPECIFIED:
 DIMENSIONS ARE IN: INCHES
 TOLERANCES: .XX: ± 0.03
 .XXX: ± 0.005
 ANGULAR: .XX: 1°
 .XX: 0.5°
 BREAK EDGES: .005 - .020
 FILLETS: .005 - .020
 SURFACE FINISH:
 GEOMETRIC TOLERANCING
 PER: ASME Y14.5-2009
 MATERIAL: SEE DRAWING NOTES
 FINISH: SEE DRAWING NOTES
 DO NOT SCALE DRAWING

	NAME	DATE
DRAWN	RJB	04/11/13
CHECKED	RJB	04/11/13
COMMENTS:		
PROPRIETARY AND CONFIDENTIAL		
THE INFORMATION CONTAINED IN THIS DRAWING IS THE SOLE PROPERTY OF SUPPLYNET, INC. ANY REPRODUCTION IN PART OR AS A WHOLE WITHOUT THE WRITTEN PERMISSION OF SUPPLYNET INC. IS PROHIBITED.		
CAGE CODE: 1HJX9		

PART NUMBER: SN-209

SupplyNet 614 CORPORATE WAY
SUITE 8H
VALLEY COTTAGE, NY 10989

TITLE:
 PRC 152 TO BA5590 (M)
 ADAPTOR WITH
 INTEGRATED 12V REGULATOR

SIZE B	DWG. NO. SN-209	REV D
------------------	---------------------------	-----------------

SCALE: NA WEIGHT: SHEET 1 OF 1