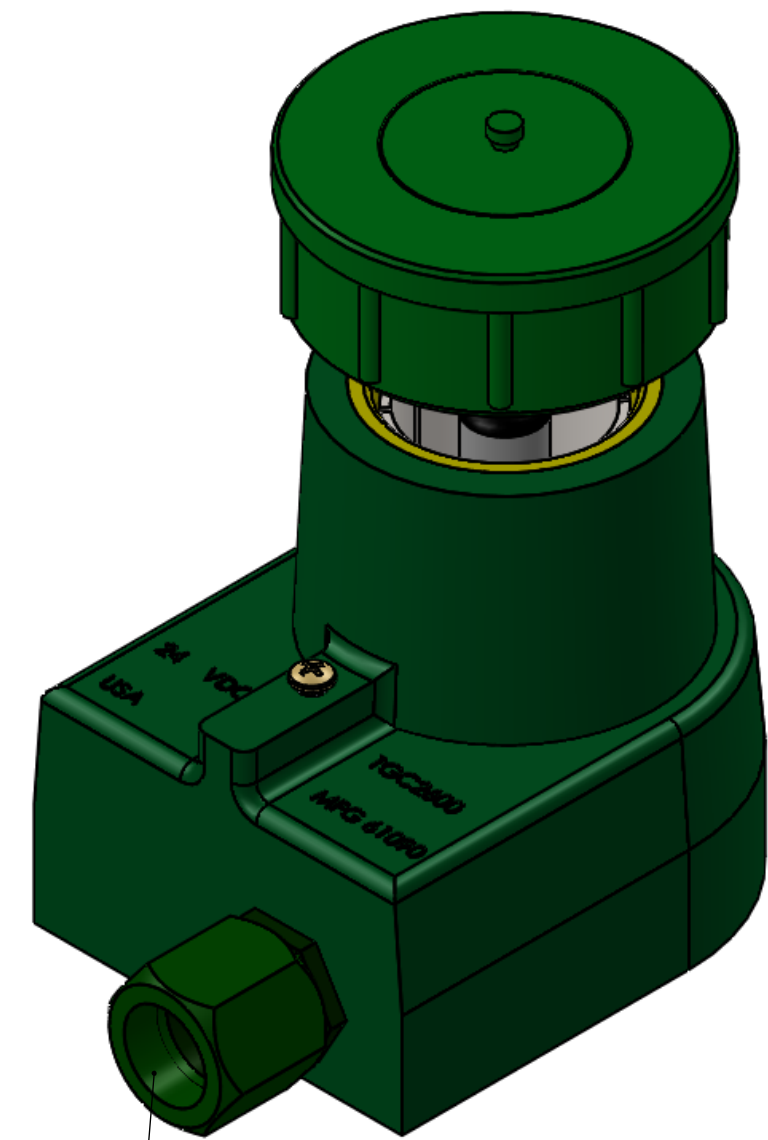
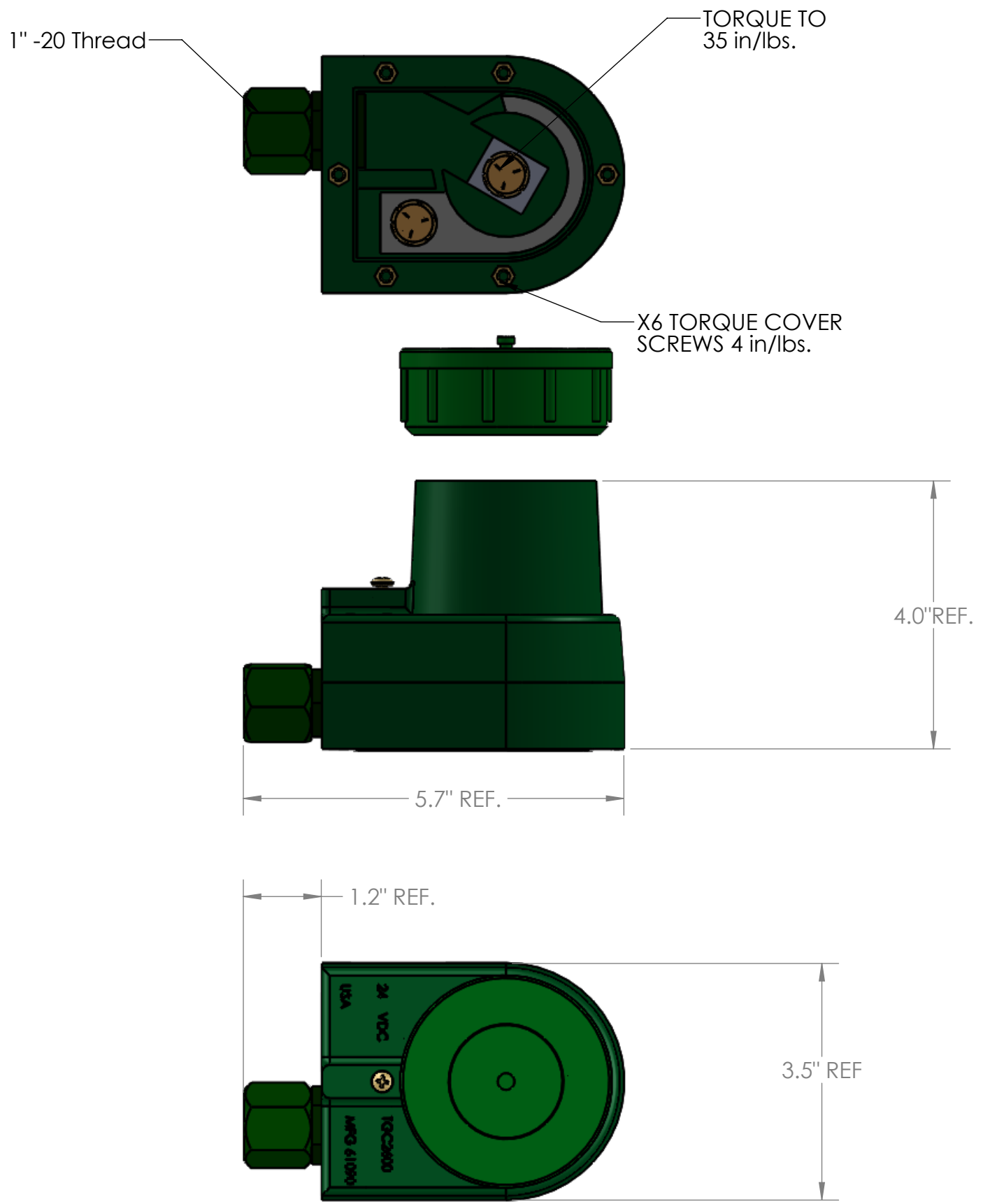



REV	DATE	DESCRIPTION OF CHANGE	ENG
B	9/22/14	Updated ISO View	TC



UNLESS OTHERWISE SPECIFIED:  
 DIMENSIONS ARE IN: INCHES  
 TOLERANCES: .XX: ± 0.03  
 .XXX: ± 0.005  
 ANGULAR: .X°: 1°  
 .XX°: 0.5°  
 BREAK EDGES: .005 - .020  
 FILLETS: .005 - .020  
 SURFACE FINISH:  
 GEOMETRIC TOLERANCING  
 PER: ASME Y14.5 -2009  
 MATERIAL: SEE DRAWING NOTES  
 FINISH: SEE DRAWING NOTES  
 DO NOT SCALE DRAWING

REF. SN0317	PART NUMBER: SN-215	
DRAWN TC 9/22/14	 706 EXECUTIVE BLVD. SUITE B VALLEY COTTAGE, NY 10989	
CHECKED RB 9/22/14	TITLE:	
COMMENTS:	<b>100 AMP NATO PLUG</b>	
<b>PROPRIETARY AND CONFIDENTIAL</b> THE INFORMATION CONTAINED IN THIS DRAWING IS THE SOLE PROPERTY OF SUPPLYNET, INC. ANY REPRODUCTION IN PART OR AS A WHOLE WITHOUT THE WRITTEN PERMISSION OF SUPPLYNET INC. IS PROHIBITED.	SIZE <b>B</b> DWG. NO. <b>SN-215</b>	REV <b>B</b>
<b>CAGE CODE: 1HJX9</b>	SCALE: NA WEIGHT:	SHEET 1 OF 1