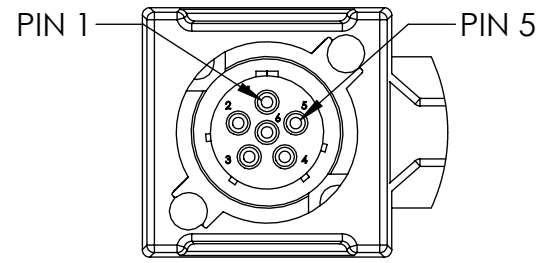
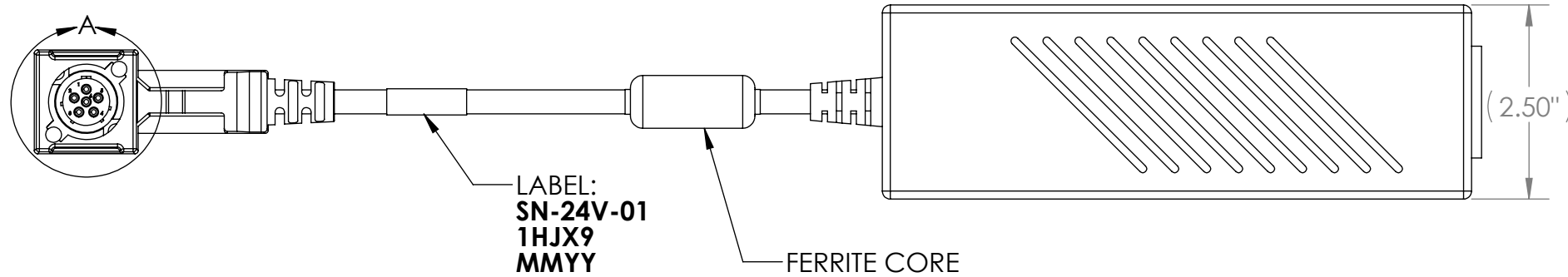
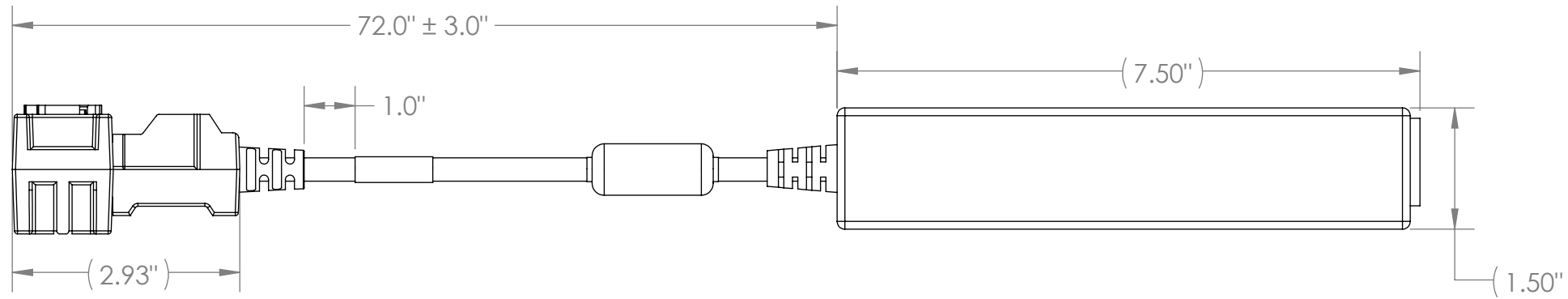
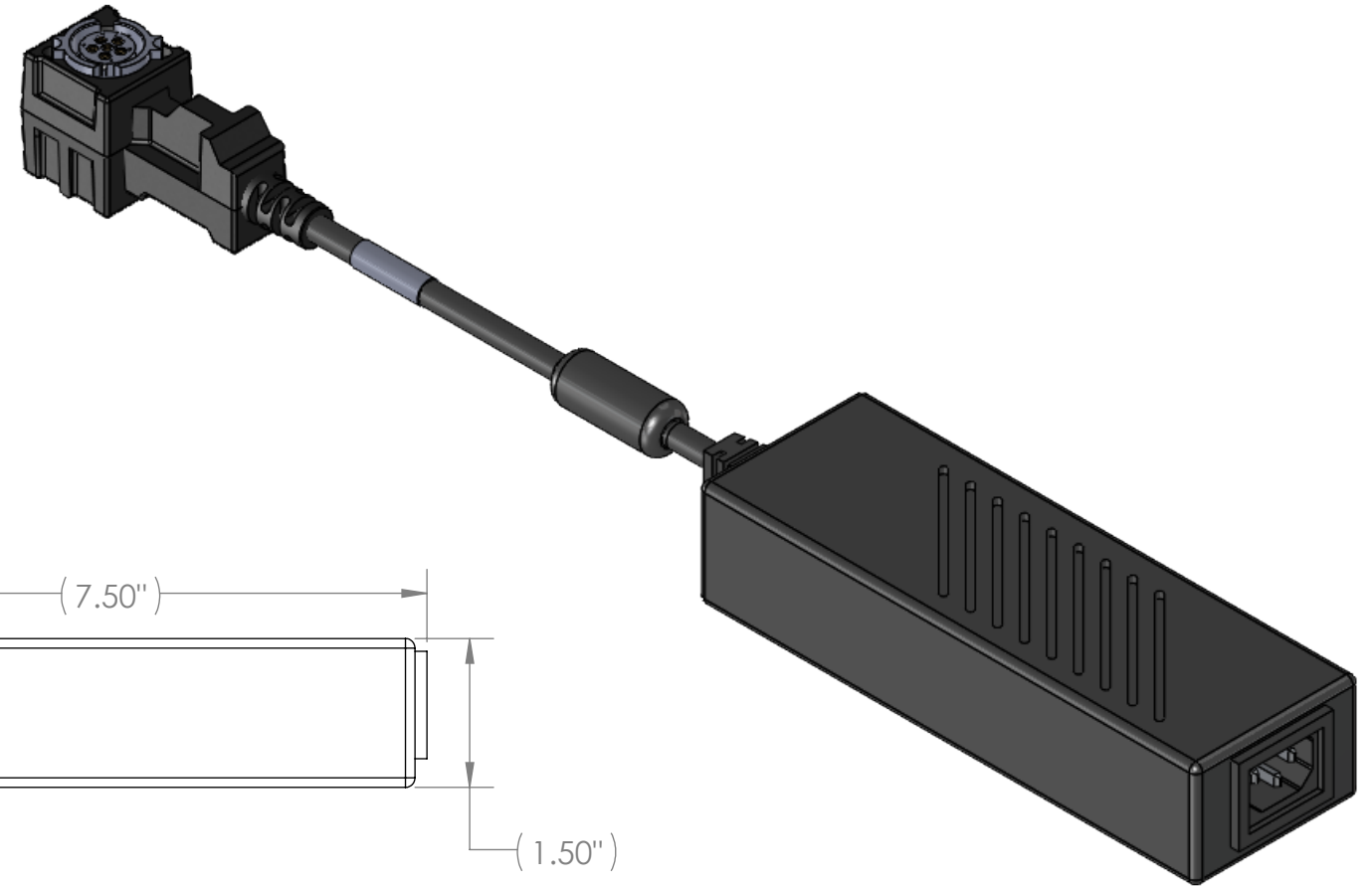


WIRE RUN LIST		
P1 (BA5590 FEMALE)	WIRE COLORS	(POWER SUPPLY)
1	YELLOW	GROUND (-)
1	BLACK	GROUND (-)
5	WHITE	24V (+)
5	RED	24V (+)

REV	DATE	DESCRIPTION OF CHANGE	ENG
A	1/15/13	INITIAL RELEASE	LS




DETAIL A  
SCALE 1 : 1



NOTES:  
 1) INPUT VOLTAGE: 100 - 240 VAC.  
 2) OUTPUT VOLTAGE: 24VDC @ 6.3 AMPS.  
 3) INCLUDES POWER CABLE NOT SHOWN.  
 4) IDENTIFICATION: IDENTIFY ON THE PART THE FOLLOWING INFORMATION FOR EACH PART DELIVERED: UOS PART MARKING ON THE WIRE IS PROHIBITED.  
**PN: SN-24V-01 REV X (REV MARKING PER PO)**  
**CAGE CODE: 1HJX9**  
**DATE OF MFGR: MM/YY**

UNLESS OTHERWISE SPECIFIED:  
 DIMENSIONS ARE IN: INCHES  
 TOLERANCES: .XX: ± 0.03  
 .XXX: ± 0.005  
 ANGULAR: .X°: 1°  
 .XX°: 0.5°  
 BREAK EDGES: .005 - .020  
 FILLETS: .005 - .020  
 SURFACE FINISH:  
 GEOMETRIC TOLERANCING  
 PER: ASME Y14.5 - 2009  
 MATERIAL: SEE DRAWING NOTES  
 FINISH: SEE DRAWING NOTES  
 DO NOT SCALE DRAWING

	NAME	DATE
DRAWN	LS	1/15/13
CHECKED	RB	1/15/13
COMMENTS:		
<b>PROPRIETARY AND CONFIDENTIAL</b>		
THE INFORMATION CONTAINED IN THIS DRAWING IS THE SOLE PROPERTY OF SUPPLYNET, INC. ANY REPRODUCTION IN PART OR AS A WHOLE WITHOUT THE WRITTEN PERMISSION OF SUPPLYNET INC. IS PROHIBITED.		
<b>CAGE CODE: 1HJX9</b>		

REF. NUMBER: SN0235		706 EXECUTIVE BLVD. SUITE B VALLEY COTTAGE, NY 10989	
			
TITLE: 24 V POWER SUPPLY WITH BA5590 FEMALE CONNECTOR			
SIZE	DWG. NO.	REV	
<b>B</b>	<b>SN-24V-01</b>	<b>A</b>	
SCALE: NA	WEIGHT:	SHEET 1 OF 1	