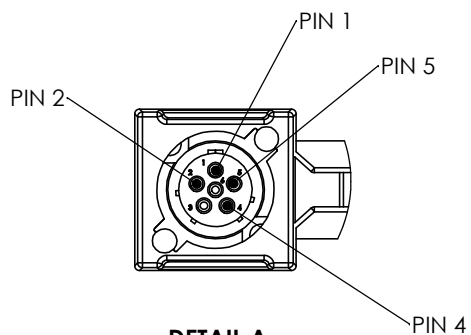
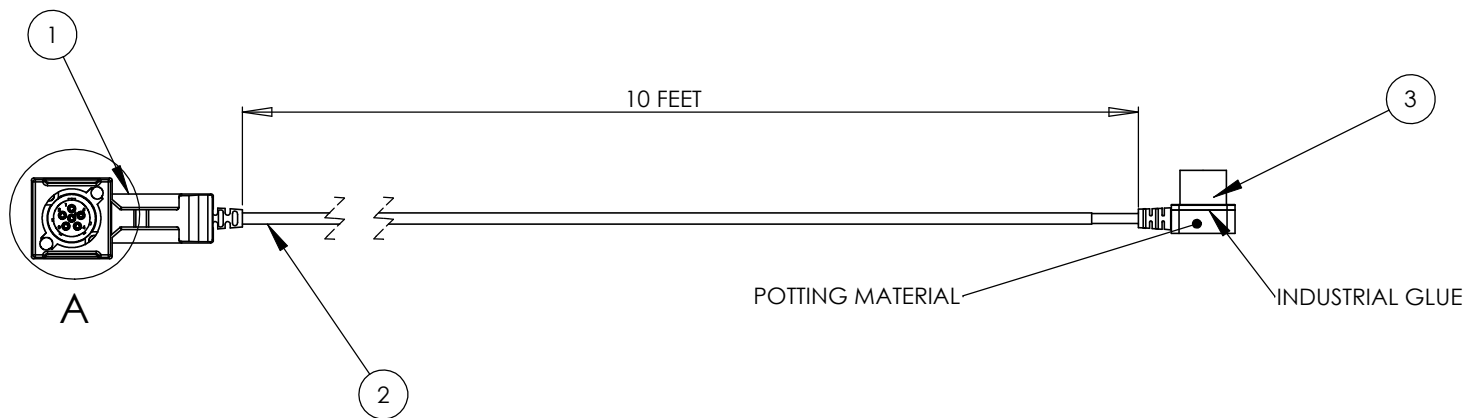


ITEM	DESCRIPTION	PART NUMBER	QTY.
1	6 PIN FEMALE	BA5590F	1
2	18 AWG, 4 COND, WIRE	TBD	10 FEET
3	6 PIN MALE	BA5590M	2

BA-5590 (F)	COLORS	BA-5590 (M)x2
1	RED	1
2	BLACK	2
4	GREEN	4
5	WHITE	5



**DETAIL A  
SCALE 1 : 1  
ENLARGED TO SHOW  
DETAIL & PIN  
LOCATION**

ZONE	REV.	DESCRIPTION	DATE	APPROVED
A		NEW RELEASE.	11/10/09	RPB
REVISIONS				
UNLESS OTHERWISE SPECIFIED:		NAME	DATE	<b>SupplyNet</b> 614 CORPORATE WAY SUITE 8M VALLEY COTTAGE, NY 10980 CAGE CODE: 1HJX9
DIMENSIONS ARE IN:		AAR	111009	
TOLERANCES:		CHECKED	RPB 111009	
.XX: ± .003 .XXX: ± .005 ANGULAR: .X °: 1° .XX °: 1°		COMMENTS:		
INTERPRET GEOMETRIC TOLERANCING PER:		<b>PROPRIETARY AND CONFIDENTIAL</b> THE INFORMATION CONTAINED IN THIS DRAWING IS THE SOLE PROPERTY OF SUPPLYNET, INC. ANY REPRODUCTION IN PART OR AS A WHOLE WITHOUT THE WRITTEN PERMISSION OF SUPPLYNET, INC IS PROHIBITED.		TITLE: <b>BA5590F TO BA5590M CABLE          10 FOOT ASSEMBLY</b>
MATERIAL	NONE	SIZE	DWG. NO.	REV
FINISH	NONE	<b>B</b>	<b>SN-301</b>	<b>A</b>
DO NOT SCALE DRAWING		SCALE: 1:5	WEIGHT:	SHEET 1 OF 1