

TABLE 1: WIRING				
BA-5590 (P1)	WIRE COLORS (ITEM #2)	BA-5590 (P2)	WIRE COLORS (ITEM #2)	WIRE COLORS (ITEM #1)
1, 2	GREEN			BLACK
4	RED			RED
5				
		1, 2	GREEN	GREEN
		4	RED	WHITE
		5		

*DIODES ON PINS 4 AND 5

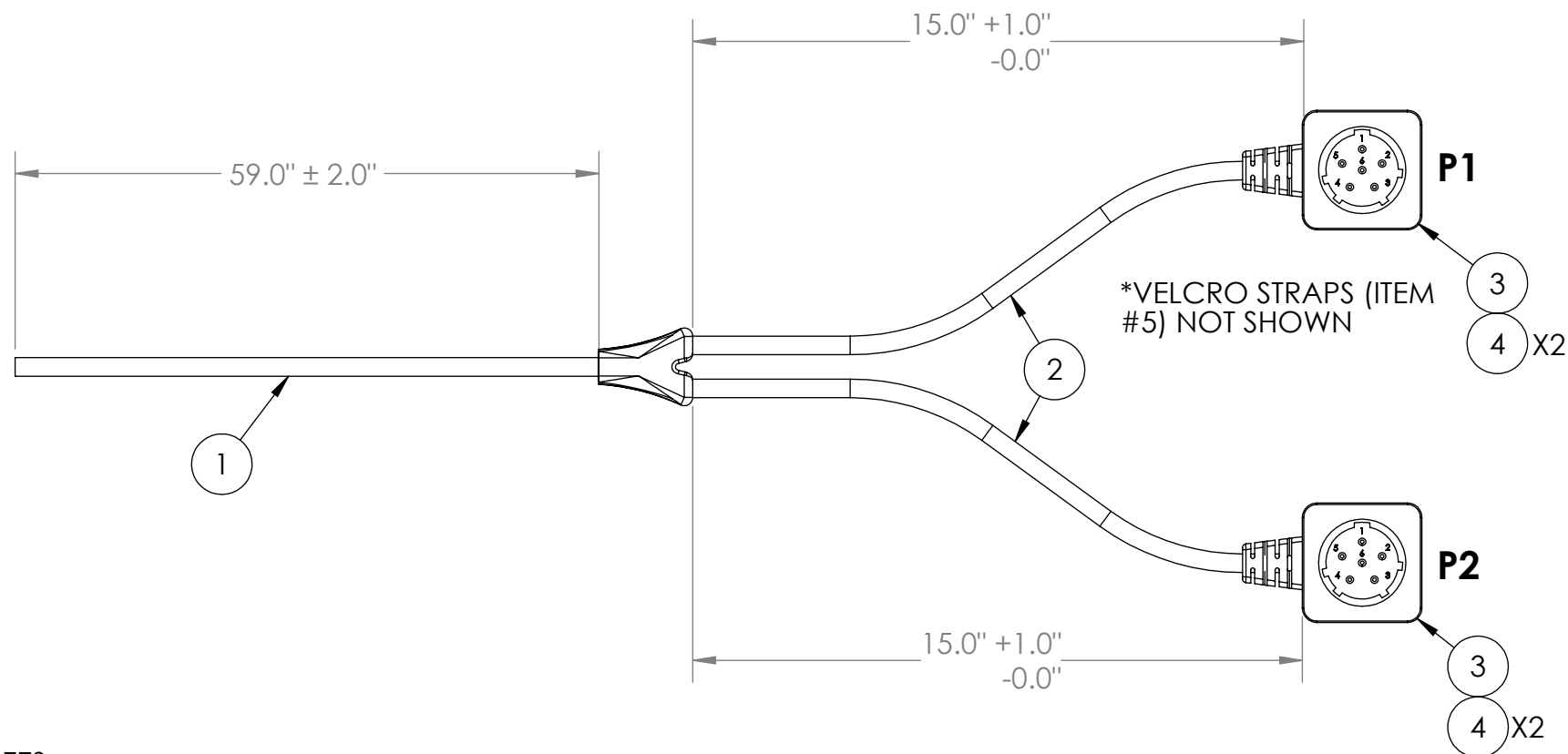
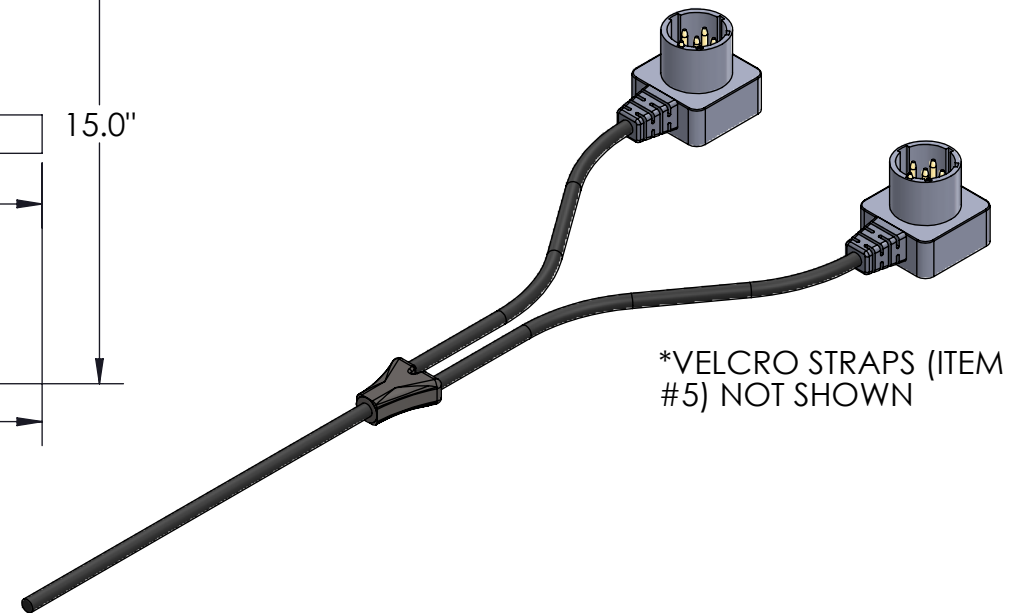
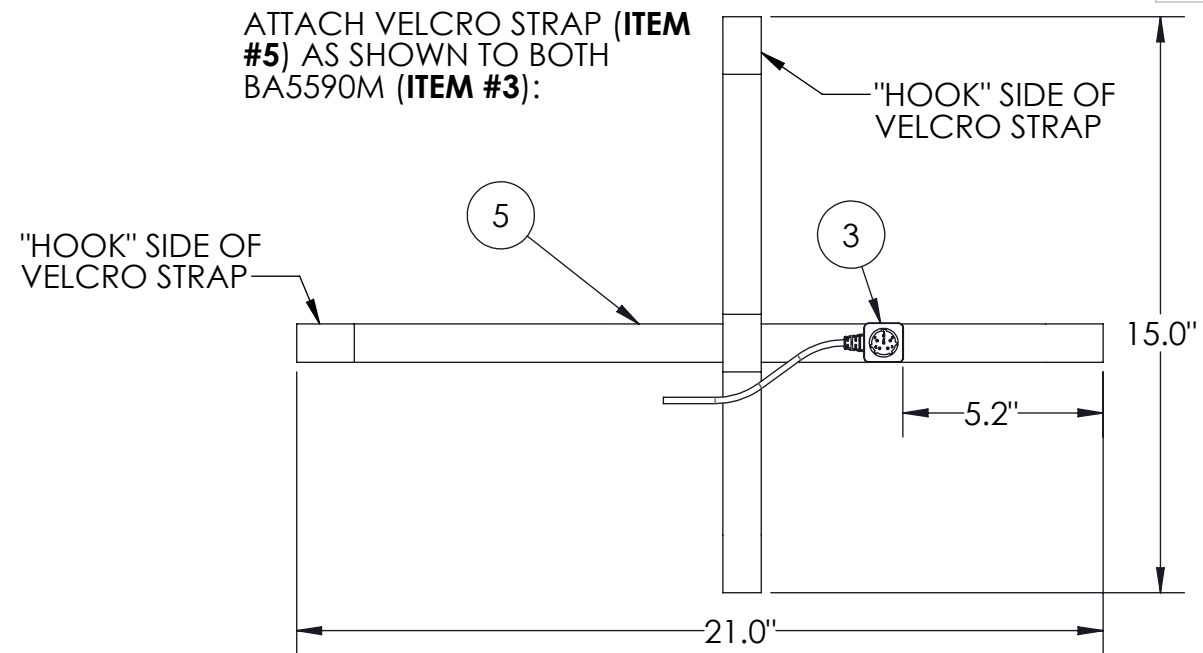


TABLE 2: BILL OF MATERIALS			
ITEM NO.	PART NO	QTY	NAME/DESCRIPTION
1	184C-V01A	61"	18AWG, 4C, 5.0MM OD
2	202C-V04A	32"	20AWG, 2C, 4.6MM OD
3	BA5590M	2	6 PIN MALE BA5590 CONN
4	SBR12A45SD1-TDTR-ND	4	12AMP, 45V DIODE
5	SN0013-1	2	VELCRO STRAP

NOTES:

- COMPLETED ASSEMBLIES ARE TO BE TESTED 100% FOR CONTINUITY.
- PLACE COMPLETED ASSEMBLIES INTO POLY ZIP-BAG. PLACE LABEL ON BAG WITH THE FOLLOWING INFORMATION:

P/N: SN-304-VS REV. X (REV. X PER PO)
CAGE CODE: 1HJX9
MM/YY (MM = MONTH MANUFACTURED, YY = LAST 2 DIGITS OF YEAR MANUFACTURED)

- ITEM #3 (BA5590M) IS TO BE SEALED USING CYANOACRYLATE. REMOVE ALL EXCESS CYANOACRYLATE FROM OUTSIDE OF CONNECTOR.

UNLESS OTHERWISE SPECIFIED:
 DIMENSIONS ARE IN: INCHES
 TOLERANCES: .XX: ± 0.03
 .XXX: ± 0.005
 ANGULAR: .X°: 1°
 .XX°: 0.5°
 BREAK EDGES: .005 - .020
 FILLETS: .005 - .020
 SURFACE FINISH:
 GEOMETRIC TOLERANCING
 PER: ASME Y14.5-2009
 MATERIAL: SEE DRAWING NOTES
 FINISH: SEE DRAWING NOTES
 DO NOT SCALE DRAWING

NAME	DATE
DRAWN: LS	2/25/2019
CHECKED: RB	2/25/2019
COMMENTS:	

REF. NUMBER: SN0623

SupplyNet 706 EXECUTIVE BLVD. SUITE B VALLEY COTTAGE, NY 10989

TITLE: **BA-5590 SPLITTER CABLE WIRED 12V, UNTERMINATED, 6 FOOT LENGTH, VELCRO STRAPS**

SIZE: B	DWG. NO.: SN-304-VS	REV: B
SCALE: NA	WEIGHT:	SHEET 1 OF 1