

REV	DATE	DESCRIPTION OF CHANGE	ENG
E	02/28/14	REVISED. SEE DCN SN0230A	RJB

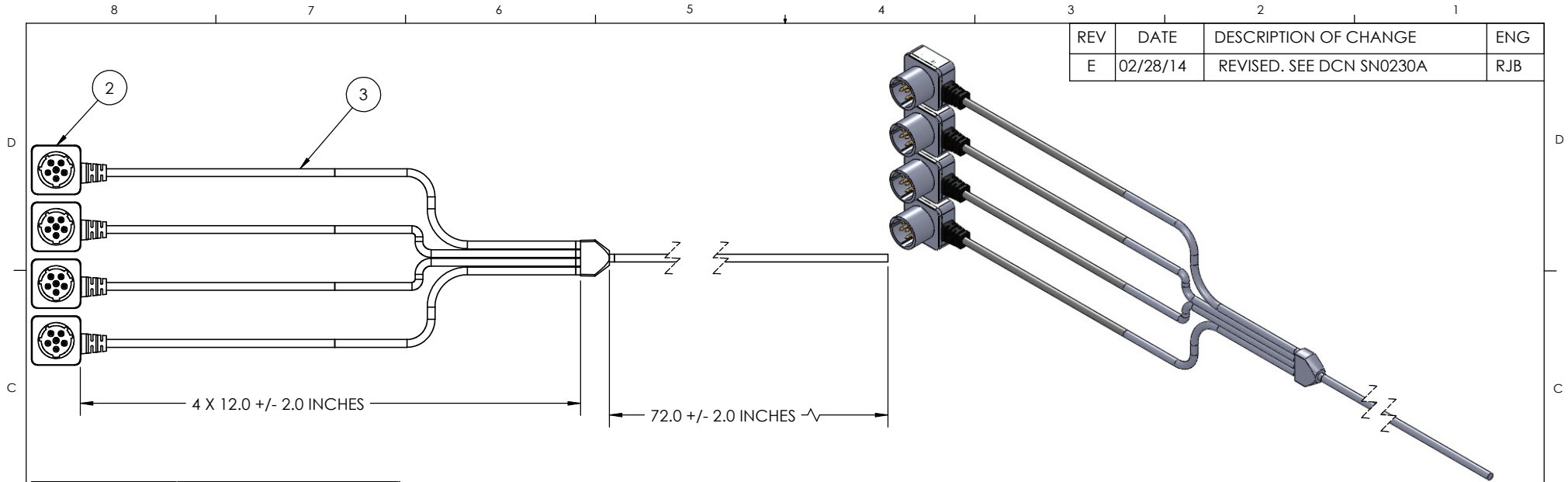
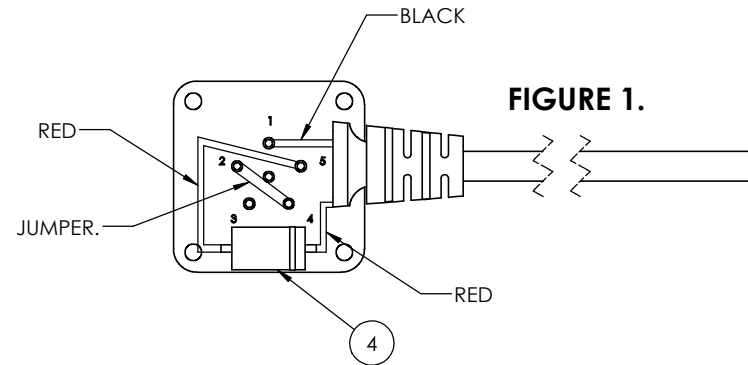


TABLE 1	
ITEM 4 WIRE COLOR	BA5590-MP PIN
BLACK	1
RED	5
	2,4 JUMPED

BILL OF MATERIALS				
ITEM NO.	PART NUMBER	QTY	NAME	COMMENTS
1		74"	18 AWG	2C CABLE. 5.0MM OD.
2	BA5590	4	BA-5590 MALE	CONNECTOR
3	UL1332 TEFLON	50"	20 AWG	2C CABLE. 4.6MM OD
4	80SQ040	4	RECTIFIER DIODE	VISHAY 8 AMP



NOTES:

- CONNECT WIRING PER FIGURE 1 AND TABLE 1.
- SOLDERING IAW IPC-J-STD-001 CLASS II AS APPLICABLE.
- CABLE ASSEMBLIES TO BE 100% TESTED FOR CONTINUITY, SHORTS AND INSULATION RESISTANCE (250V @ 100MOHM MINIMUM)
- IDENTIFICATION: BAG AND IDENTIFY ON PACKAGING THE FOLLOWING INFORMATION FOR EACH PART DELIVERED. UOS PART MARKING ON THE WIRE IS PROHIBITED:  
**PN: SN-309 REV X (REV MARKING PER PO)**  
**CAGE CODE: 1HJX9**  
**DATE OF MFGR: MM/YY**
- REFERENCE SUPPLYNET FILE NUMBER SN0230.
- MANUFACTURE AND INSPECT IAW IPC/WHMA A-620 CLASS 2.

UNLESS OTHERWISE SPECIFIED:	NAME	DATE
DIMENSIONS ARE IN: INCHES	RJB	09/19/13
TOLERANCES: .XX: ± 0.03	CHECKED	RJB 09/19/13
ANGULAR: .XX: ± 0.005	COMMENTS:	
BREAK EDGES: .005 - .020	<b>PROPRIETARY AND CONFIDENTIAL</b>	
FILLET: .005 - .020	THE INFORMATION CONTAINED IN THIS DRAWING IS THE SOLE PROPERTY OF SUPPLYNET, INC. ANY REPRODUCTION IN PART OR AS A WHOLE WITHOUT THE WRITTEN PERMISSION OF SUPPLYNET INC. IS PROHIBITED.	
SURFACE FINISH:	GEO-METRIC TOLERANCING PER: ASME Y14.5-2009	
MATERIAL: SEE DRAWING NOTES	MATERIAL: SEE DRAWING NOTES	
FINISH: SEE DRAWING NOTES	FINISH: SEE DRAWING NOTES	
DO NOT SCALE DRAWING	<b>CAGE CODE: 1HJX9</b>	

PART NUMBER: SN-309		
614 CORPORATE WAY SUITE 9H VALLEY COTTAGE, NY 10989		
TITLE: BA5590 4 WAY, 24V SPLITTER CABLE, UNTERMINATED		
SIZE	DWG. NO.	REV
<b>B</b>	<b>SN-309</b>	<b>E</b>
SCALE: NA	WEIGHT:	SHEET 1 OF 1