

TABLE 1: WIRING	
P1,P2,P3,P4	WIRE COLORS
1,2	GREEN
4	RED
5	RED

REV	DATE	DESCRIPTION OF CHANGE	ENG
D	6/4/2019	UPDATED DRAWING TO 2019 FORMAT	TC

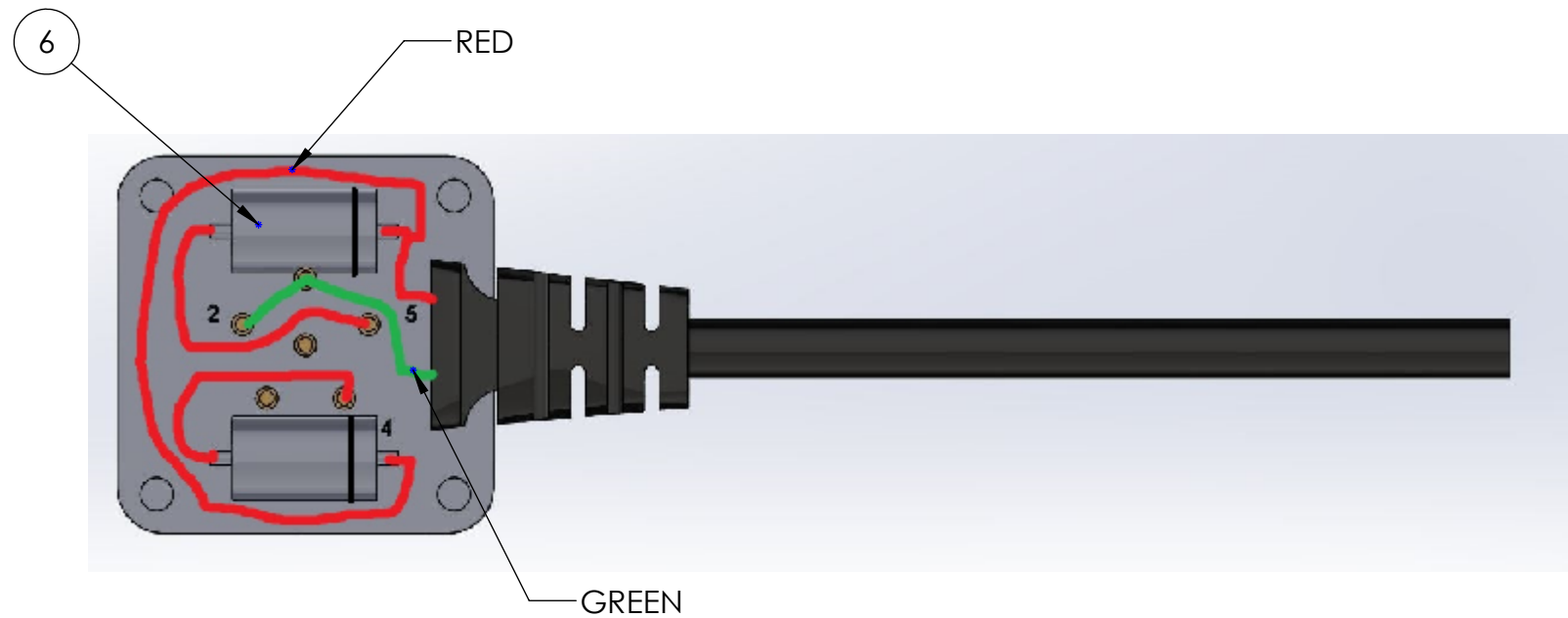
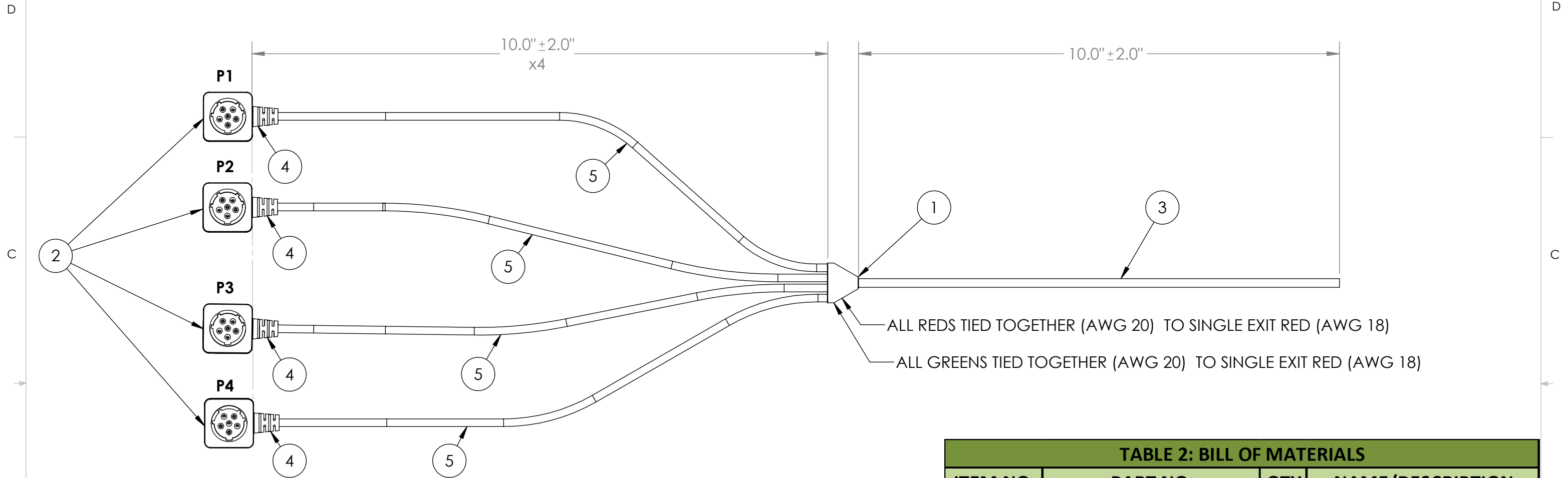


TABLE 2: BILL OF MATERIALS			
ITEM NO.	PART NO	QTY	NAME/DESCRIPTION
1	YS26-0307,YS26-0308	1	4-WAY SPLITTER
2	CONN-BA5590-M	4	Male Connector
3	182C-V02B-0207 07	12"	AWG 18, 2C WIRE
4	YS23-0146	4	STRAIN RELIEF
5	UL1332 TEFLON	52"	AWG 20, 2C WIRE
6	SB1245CT-ND	8	12 Amp Diode

UNLESS OTHERWISE SPECIFIED:
 DIMENSIONS ARE IN: INCHES
 TOLERANCES: .XX: ± 0.03
 .XXX: ± 0.005
 ANGULAR: .X°: 1°
 .XX°: 0.5°
 BREAK EDGES: .005 - .020
 FILLETS: .005 - .020
 SURFACE FINISH:
 GEOMETRIC TOLERANCING
 PER: ASME Y14.5 -2009
 MATERIAL: SEE DRAWING NOTES
 FINISH: SEE DRAWING NOTES
 DO NOT SCALE DRAWING

NAME	DATE
DRAWN TC	6/3/19
CHECKED RB	6/3/19
COMMENTS:	
PROPRIETARY AND CONFIDENTIAL THE INFORMATION CONTAINED IN THIS DRAWING IS THE SOLE PROPERTY OF SUPPLYNET, INC. ANY REPRODUCTION IN PART OR AS A WHOLE WITHOUT THE WRITTEN PERMISSION OF SUPPLYNET INC. IS PROHIBITED.	
CAGE CODE: 1HJX9	

REF. NUMBER: SN0649
SupplyNet 706 EXECUTIVE BLVD.
 SUITE B
 VALLEY COTTAGE, NY 10989
 TITLE: **BA5590 4-WAY SPLITTER CABLE UNTERMINATED 12V**
 SIZE **B** DWG. NO. **SN-317B** REV **D**
 SCALE: NA WEIGHT: SHEET 1 OF 1