

REV	DATE	DESCRIPTION OF CHANGE	ENG
B	02/28/14	REVISED. SEE DCN SN0232A	RJB

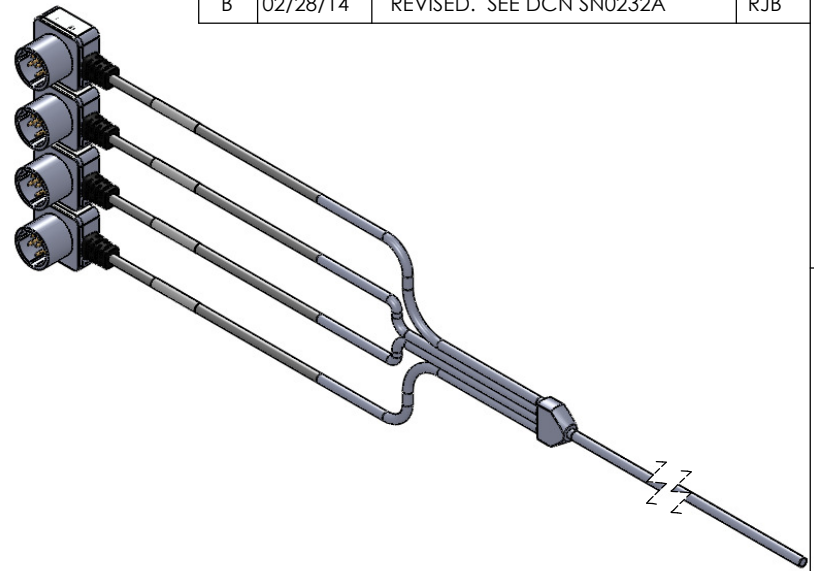
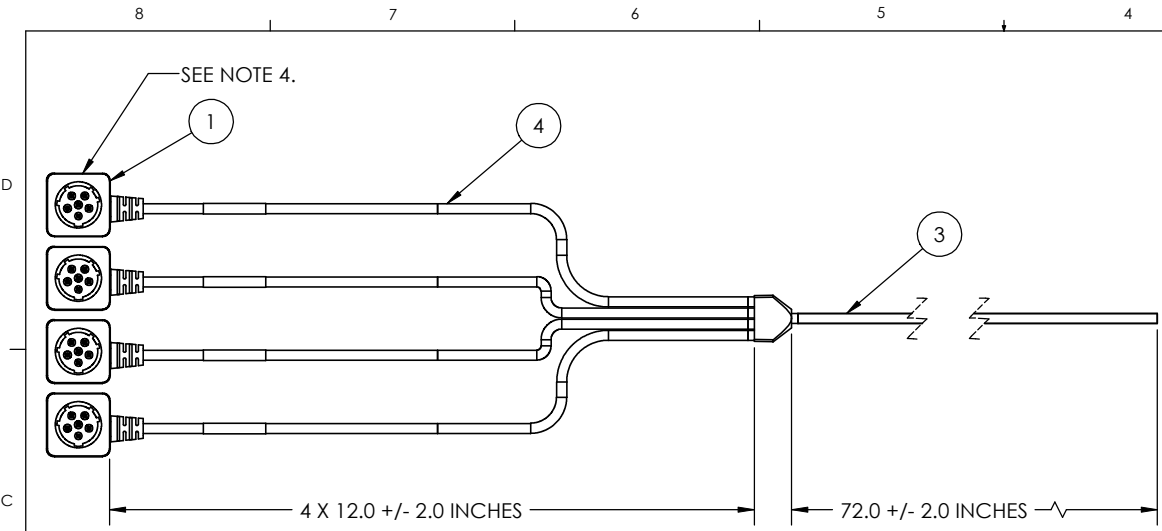
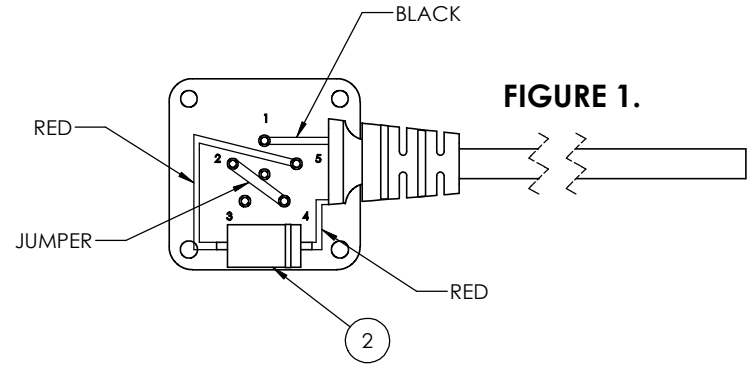



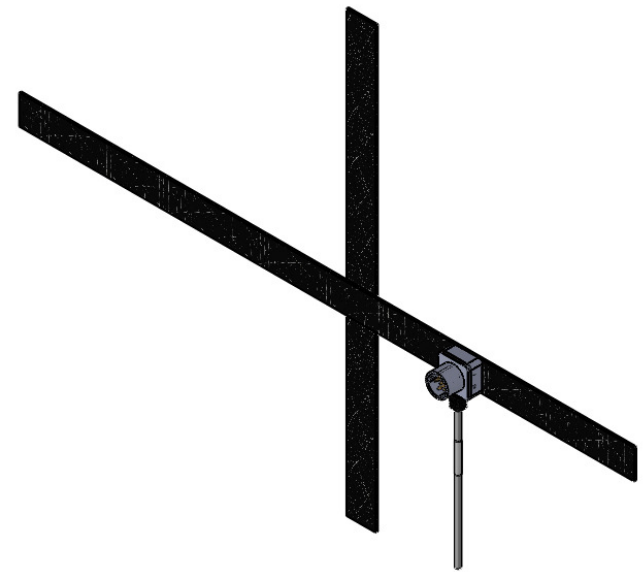
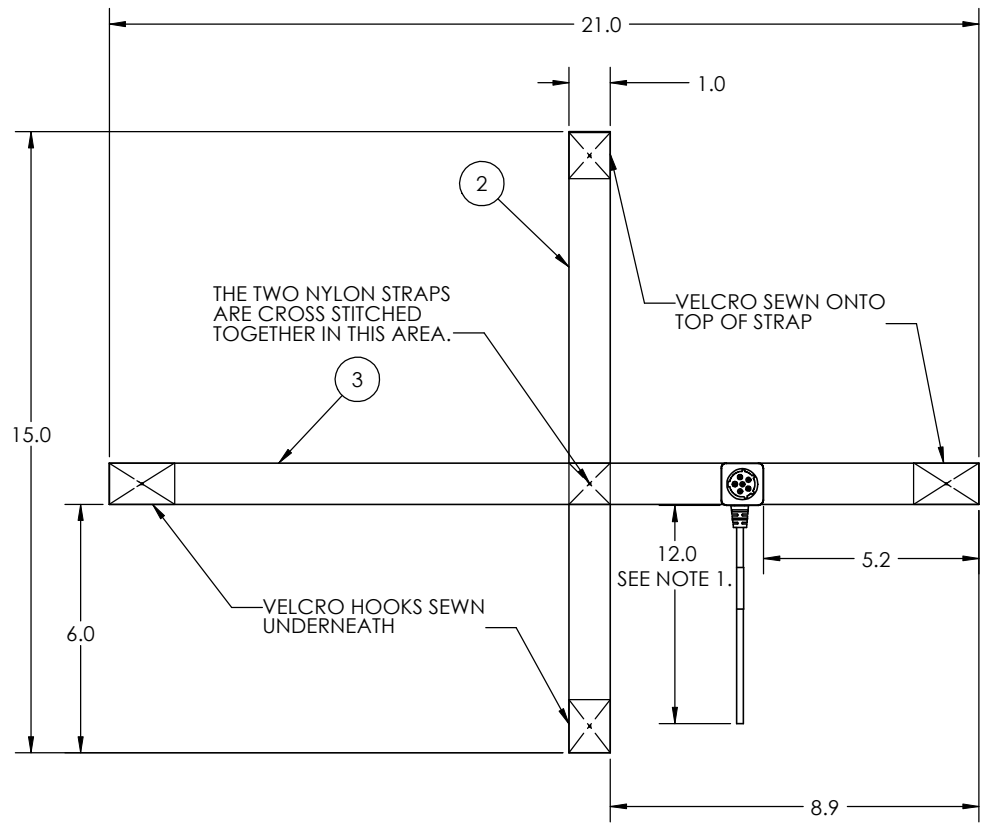
TABLE 1	
ITEM 4 WIRE COLOR	BA5590-MP PIN
BLACK	1
RED	5
	2,4 JUMPED

BILL OF MATERIALS				
ITEM NO.	PART NUMBER	QTY	NAME	COMMENTS
1	CONN-BA5590-MVS	4	CONNECTOR ASSY	BA5590 MALE BATTERY CONNECTOR WITH VELCRO STRAP.
2	80SQ040	4	RECTIFIER DIODE	VISHAY 8 AMP
3		74"	18 AWG WIRE	2C CABLE. 5.0MM OD.
4	UL1332 TEFLON	50"	20 AWG WIRE	2C CABLE. 4.6MM OD.



- NOTES:
- DISTANCE TO 4 WAY SPLITTER.
  - ITEMS SHOWN ON SHEETS 2 AND 3 ARE FOR ONE (1) CONNECTION INTERFACE. THE SN-320 HAS 4 BATTERY CONNECTIONS
  - REFERENCE SUPPLYNET FILE NUMBER SN0232.
  - EACH CONNECTOR HAS A VELCRO SECURING HARNESS. SEE SHEETS 2 AND 3 FOR STRAP DETAILS AND ASSEMBLY.
  - CONNECT WIRING PER TABLE 1 AND FIGURE 1.

UNLESS OTHERWISE SPECIFIED:		NAME		DATE		PART NUMBER: SN-320	
DIMENSIONS ARE IN: INCHES		DRAWN	RJB	11/05/13		 614 CORPORATE WAY SUITE 8M VALLEY COTTAGE, NY 10989	
TOLERANCES: .XX: ± 0.03 .XXX: ± 0.005		CHECKED	RJB	11/05/13			
ANGULAR: .XX°.0.5°		COMMENTS:		TITLE:		SN-309, 24 VDC CABLE WITH 4 VELCRO STRAPS,	
BREAK EDGES: .005 - .020		PROPRIETARY AND CONFIDENTIAL THE INFORMATION CONTAINED IN THIS DRAWING IS THE SOLE PROPERTY OF SUPPLYNET, INC. ANY REPRODUCTION IN PART OR AS A WHOLE WITHOUT THE WRITTEN PERMISSION OF SUPPLYNET INC. IS PROHIBITED.		SIZE	DWG. NO.	REV	
FILLET: .005 - .020		CAGE CODE: 1HJX9		B	SN-320	B	
SURFACE FINISH:		SCALE: NA		WEIGHT:		SHEET 1 OF 3	
GEOMETRIC TOLERANCING PER: ASME Y14.5-2009		DO NOT SCALE DRAWING					
MATERIAL: SEE DRAWING NOTES							
FINISH: SEE DRAWING NOTES							



PART NUMBER: SN-320  
**SupplyNet** 614 CORPORATE WAY  
 SUITE 9H  
 VALLEY COTTAGE, NY 10989  
 TITLE:  
 SN-309, 24 VDC CABLE  
 WITH 4 VELCRO STRAPS,

**PROPRIETARY AND CONFIDENTIAL**  
 THE INFORMATION CONTAINED IN THIS  
 DRAWING IS THE SOLE PROPERTY OF  
 SUPPLYNET, INC. ANY REPRODUCTION  
 IN PART OR AS A WHOLE WITHOUT THE  
 WRITTEN PERMISSION OF SUPPLYNET INC.  
 IS PROHIBITED.

SIZE <b>B</b>	DWG. NO. <b>SN-320</b>	REV <b>B</b>
------------------	---------------------------	-----------------

CAGE CODE: 1HJX9 SCALE: NA WEIGHT: SHEET 2 OF 3

8 7 6 5 4 3 2 1

D

D

C

C

B

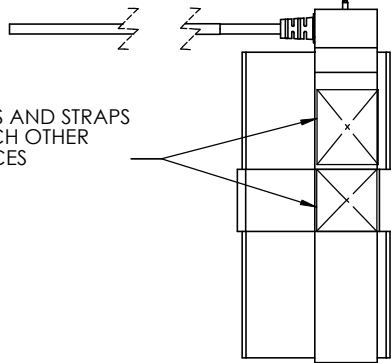
B

A

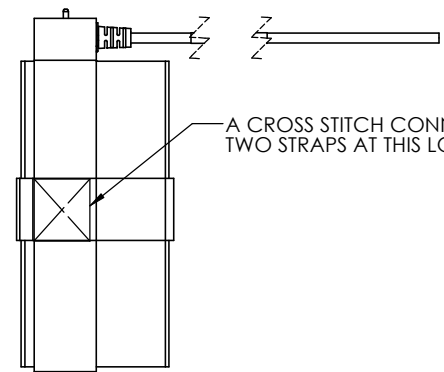
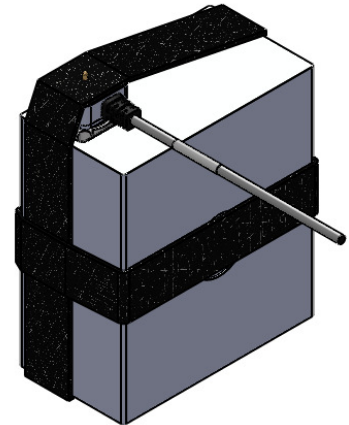
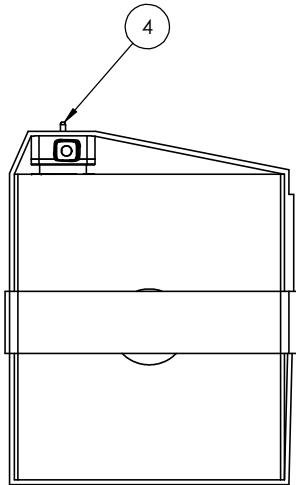
A

8 7 6 5 4 3 2 1

NYLON STRAP IS ATTACHED AT THE CENTER OF THE BA5590 BACKSHELL WITH A RIVET.



VELCRO HOOKS AND STRAPS ATTACH TO EACH OTHER AT THESE 2 PLACES



A CROSS STITCH CONNECTS THE TWO STRAPS AT THIS LOCATION.

PART NUMBER: SN-320  
**SupplyNet** 614 CORPORATE WAY  
 SUITE 8M VALLEY COTTAGE, NY 10989  
 TITLE: SN-309, 24 VDC CABLE WITH 4 VELCRO STRAPS,

**PROPRIETARY AND CONFIDENTIAL**  
 THE INFORMATION CONTAINED IN THIS DRAWING IS THE SOLE PROPERTY OF SUPPLYNET, INC. ANY REPRODUCTION IN PART OR AS A WHOLE WITHOUT THE WRITTEN PERMISSION OF SUPPLYNET INC. IS PROHIBITED.

SIZE <b>B</b>	DWG. NO. <b>SN-320</b>	REV <b>B</b>
------------------	---------------------------	-----------------

CAGE CODE: 1HJX9	SCALE: NA	WEIGHT:	SHEET 3 OF 3
------------------	-----------	---------	--------------