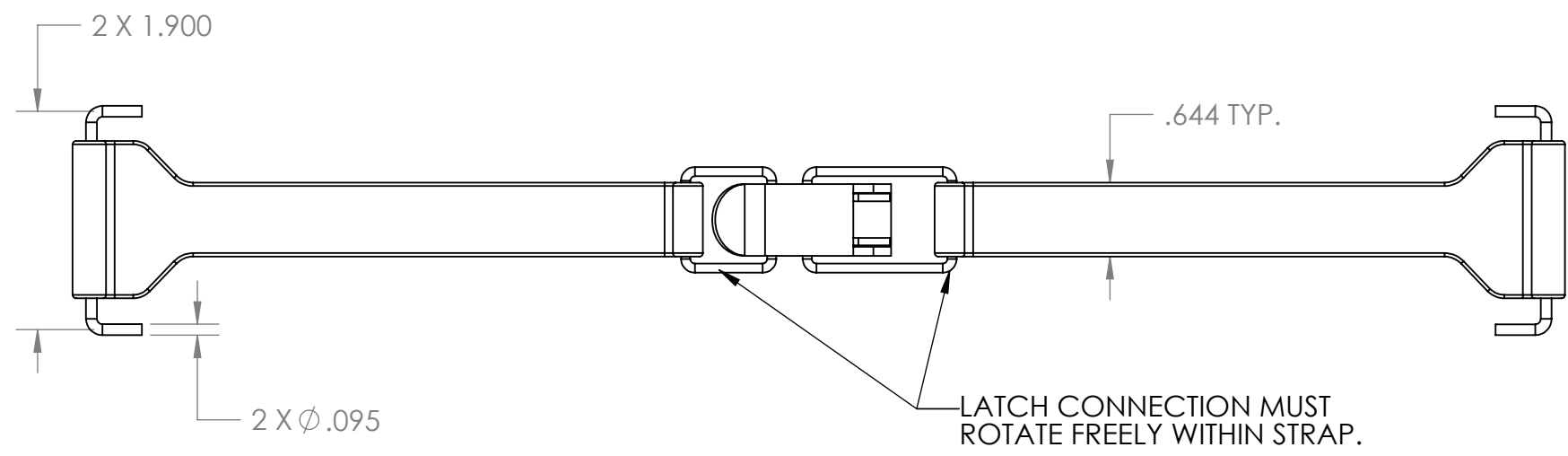
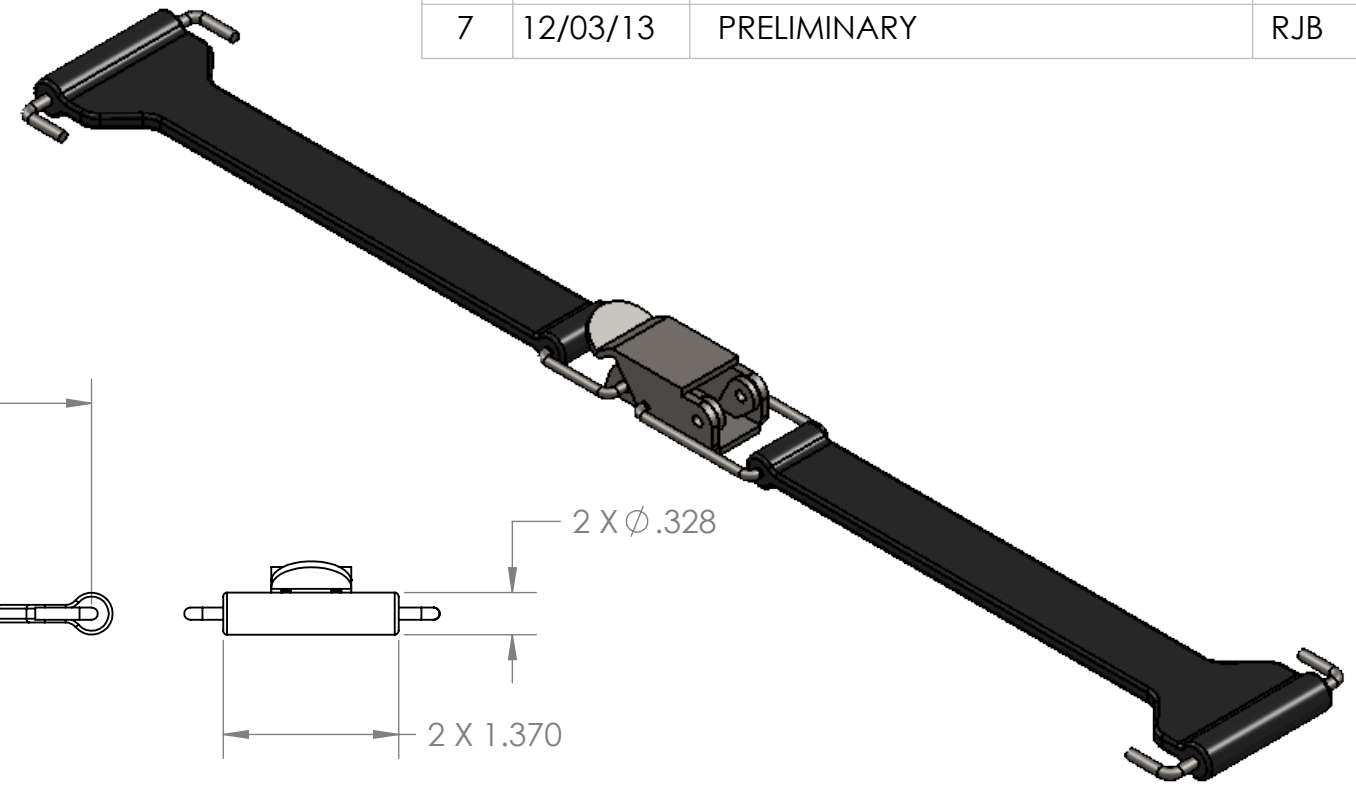
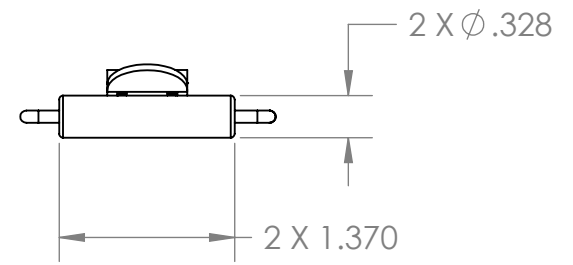
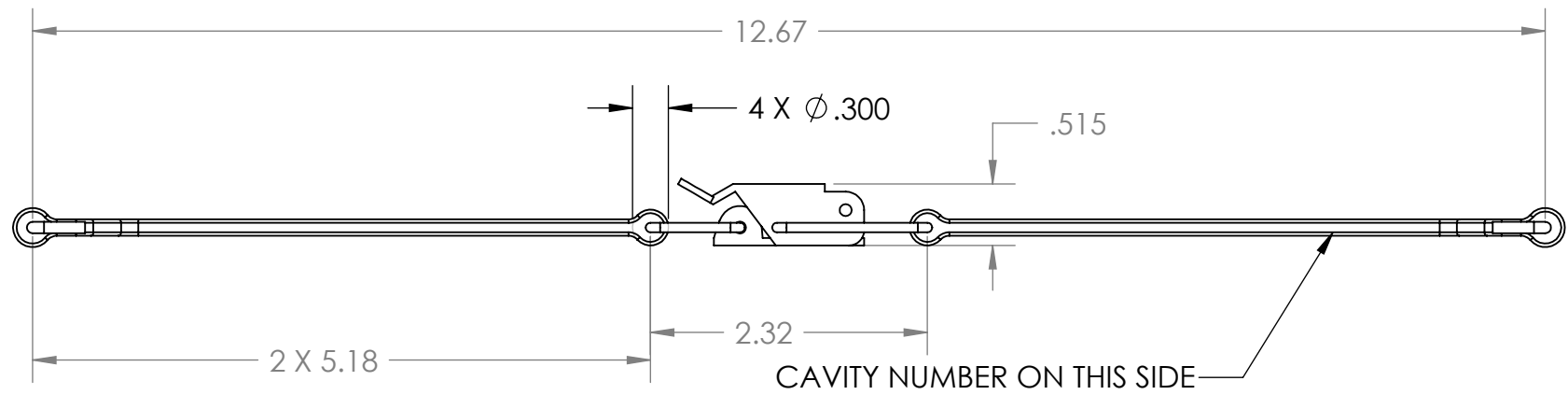


REV	DATE	DESCRIPTION OF CHANGE	ENG
7	12/03/13	PRELIMINARY	RJB



- NOTES:
 1. MATERIAL: EPDM D90
 2. SHEET 2 HAS LATCH IN ITS CURRENT CONFIGURATION

UNLESS OTHERWISE SPECIFIED:
 DIMENSIONS ARE IN: INCHES
 TOLERANCES: .XX: ± 0.03
 .XXX: ± 0.005
 ANGULAR: .X°: 1°
 .XX°: 0.5°
 BREAK EDGES: .005 - .020
 FILLETS: .005 - .020
 SURFACE FINISH:
 GEOMETRIC TOLERANCING
 PER: ASME Y14.5 -2009
 MATERIAL: SEE DRAWING NOTES
 FINISH: SEE DRAWING NOTES
 DO NOT SCALE DRAWING

	NAME	DATE
DRAWN	RJB	10/02/13
CHECKED	RJB	10/02/13
COMMENTS:		
PROPRIETARY AND CONFIDENTIAL		
THE INFORMATION CONTAINED IN THIS DRAWING IS THE SOLE PROPERTY OF SUPPLYNET, INC. ANY REPRODUCTION IN PART OR AS A WHOLE WITHOUT THE WRITTEN PERMISSION OF SUPPLYNET INC. IS PROHIBITED.		
CAGE CODE: 1HJX9		

PART NUMBER: SN0195-1

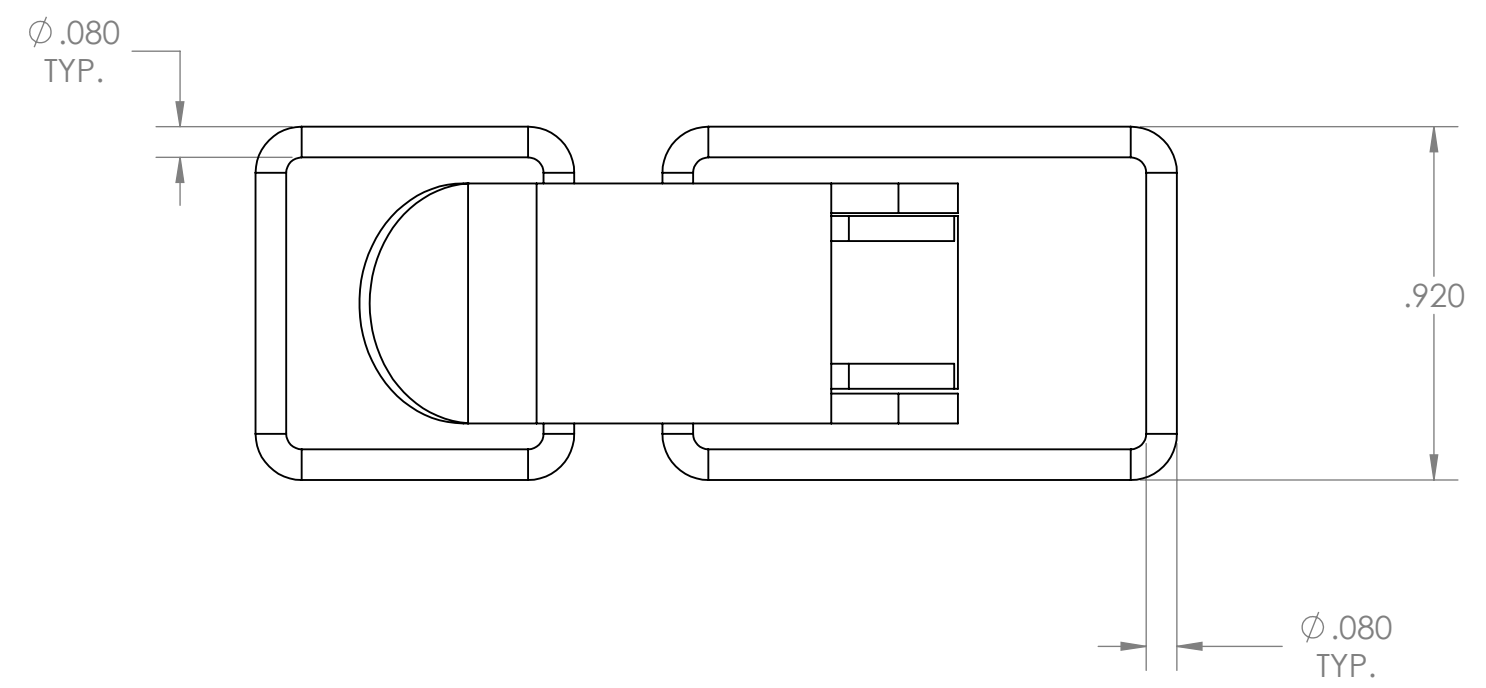
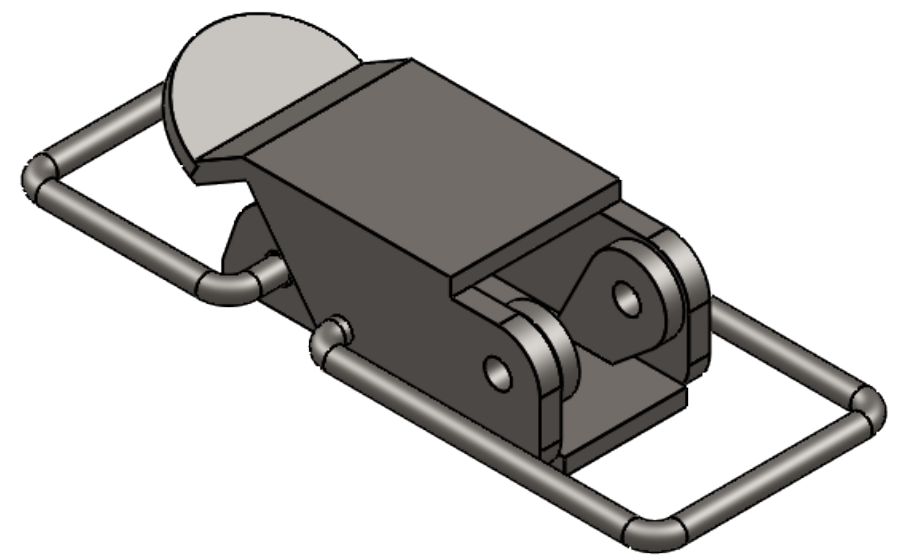
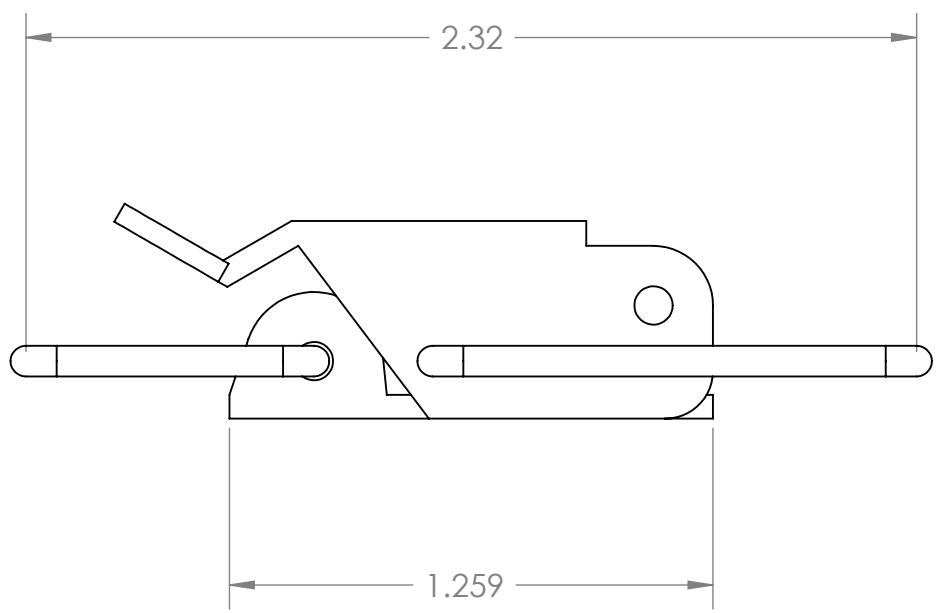
SupplyNet 614 CORPORATE WAY
SUITE 8M
VALLEY COTTAGE, NY 10989

TITLE: STRAP AND LATCH ASSEMBLY

SIZE B	DWG. NO. SN0195	REV 7
SCALE: NA	WEIGHT:	SHEET 1 OF 2

8 7 6 5 4 3 2 1


D
C
B
A



8 7 6 5 4 3 2 1

PROPRIETARY AND CONFIDENTIAL
 THE INFORMATION CONTAINED IN THIS
 DRAWING IS THE SOLE PROPERTY OF
 SUPPLYNET, INC. ANY REPRODUCTION
 IN PART OR AS A WHOLE WITHOUT THE
 WRITTEN PERMISSION OF SUPPLYNET INC.
 IS PROHIBITED.

CAGE CODE: 1HJX9

PART NUMBER: SN0195-1		
 614 CORPORATE WAY SUITE 8M VALLEY COTTAGE, NY 10989		
TITLE: STRAP AND LATCH ASSEMBLY		
SIZE B	DWG. NO. SN0195	REV 7
SCALE: NA	WEIGHT:	SHEET 2 OF 2

D
C
B
A