

8 7 6 5 4 3 2 1

D

D

C

C

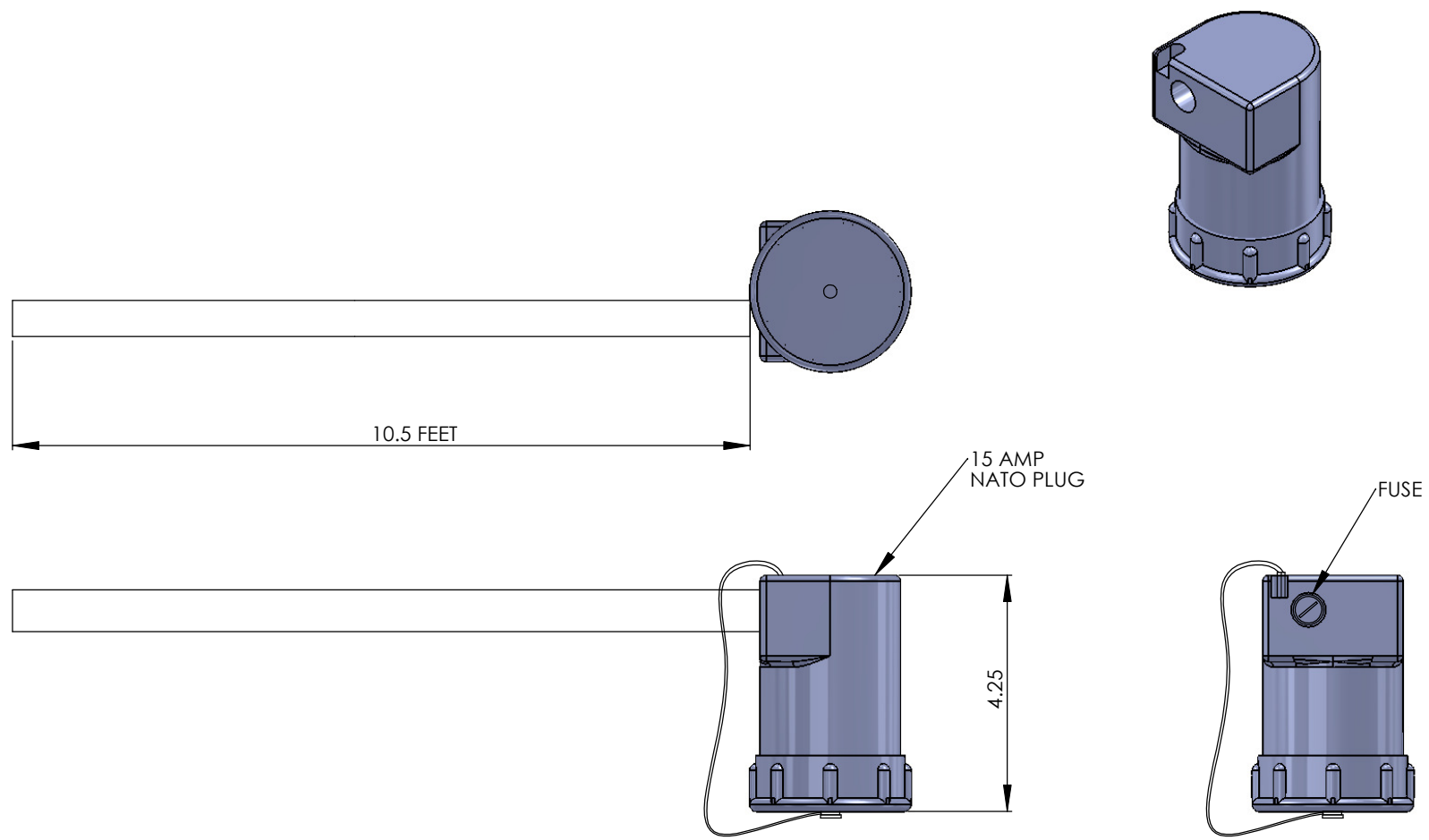
B

B

A

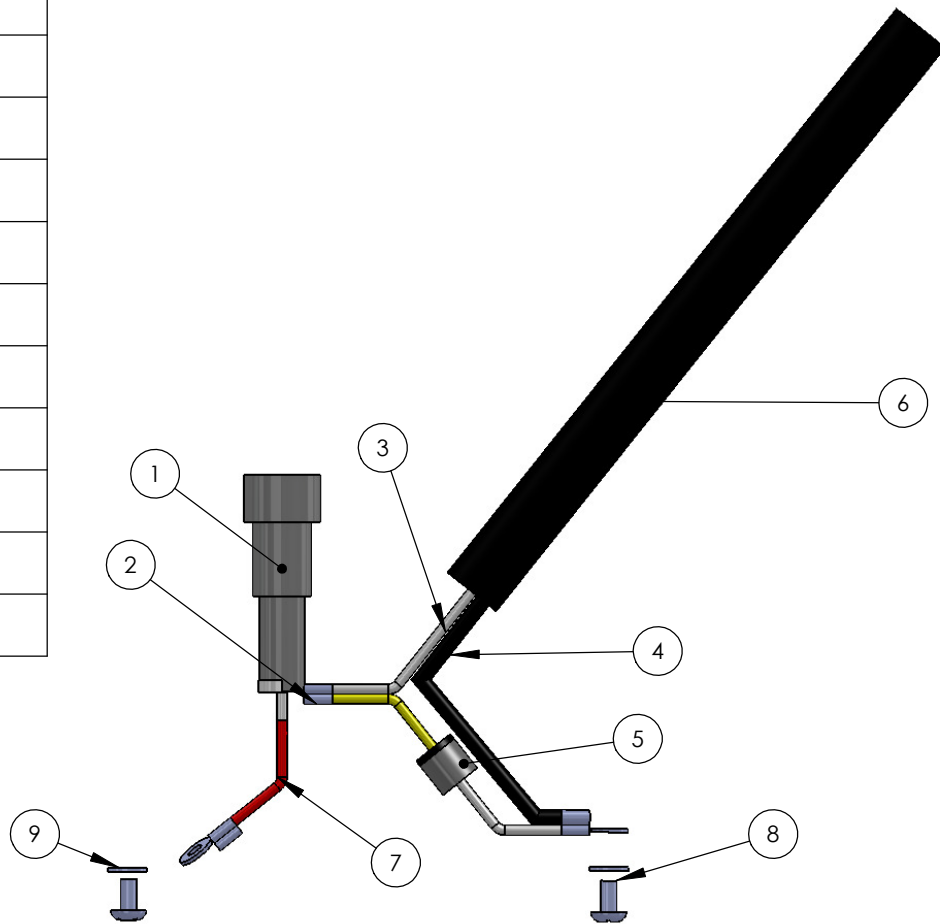
A

8 7 6 5 4 3 2 1




UNLESS OTHERWISE SPECIFIED:		NAME	DATE	614 CORPORATE WAY SUITE 8M VALLEY COTTAGE, NY 10980 CAGE CODE: 1HJX9	
DIMENSIONS ARE IN: INCHES		DRAWN	DD	02/01/07	TITLE: <b>15 AMP NATO PLUG WITH 10.5 FEET OF WIRE</b>
TOLERANCES:		CHECKED	RB	02/01/07	
.XX: ± .01 .XXX: ± .005		COMMENTS:			
ANGULAR: .X° .XX°		<b>PROPRIETARY AND CONFIDENTIAL</b> THE INFORMATION CONTAINED IN THIS DRAWING IS THE SOLE PROPERTY OF <INSERT COMPANY NAME HERE>. ANY REPRODUCTION IN PART OR AS A WHOLE WITHOUT THE WRITTEN PERMISSION OF <INSERT COMPANY NAME HERE> IS PROHIBITED.			SIZE
INTERPRET GEOMETRIC TOLERANCING PER:					DWG. NO.
MATERIAL					SN-70413
SEE ABOVE					REV
FINISH					A
SEE ABOVE					SCALE: 1:1
DO NOT SCALE DRAWING					WEIGHT:
					SHEET 1 OF 2

ITEM#	PART NO.	DESCRIPTION	QUANTITY
1	SN-BT003	FUSE CASE	1
2	SN-BT002	WIRE CLIP	3
3	N/A	WIRE (WHITE)	1
4	N/A	WIRE (BLACK)	1
5	SN-BT001	DIODE	1
6	N/A	POWER CABLE	1
7	N/A	WIRE (RED)	1
8	SN-BT004	SCREW (0.13"X0.46")	2
9	SN-BT005	WASHER (Ø 0.13)	2
10	SN-BT006	EXTERNAL CAP SCREW (.13" X .57")	5



**NOTE:**

1. RED WIRE (LIVE) GOES TO CENTER OF THE PLUG
2. BLACK WIRE (GROUND) IS ATTACHED TO THE DIODE.

UNLESS OTHERWISE SPECIFIED:		NAME	DATE	 614 CORPORATE WAY SUITE 8M VALLEY COTTAGE, NY 10980 CAGE CODE: 1HJX9	
DIMENSIONS ARE IN:		DRAWN	AJH		031210
TOLERANCES:		CHECKED	RPB		031210
.XX: ± .XXX: ± ANGULAR: .X ° .XX °		COMMENTS:		TITLE:	
INTERPRET GEOMETRIC TOLERANCING PER:		<b>PROPRIETARY AND CONFIDENTIAL</b> THE INFORMATION CONTAINED IN THIS DRAWING IS THE SOLE PROPERTY OF <INSERT COMPANY NAME HERE>. ANY REPRODUCTION IN PART OR AS A WHOLE WITHOUT THE WRITTEN PERMISSION OF <INSERT COMPANY NAME HERE> IS PROHIBITED.		<b>INTERIOR OF NATO PLUG DETAIL</b>	
MATERIAL	FINISH	DO NOT SCALE DRAWING	SIZE <b>B</b>	DWG. NO. <b>SN-70413</b>	
			SCALE: 1:5	REV <b>A</b>	
			WEIGHT:	SHEET 2 OF 2	