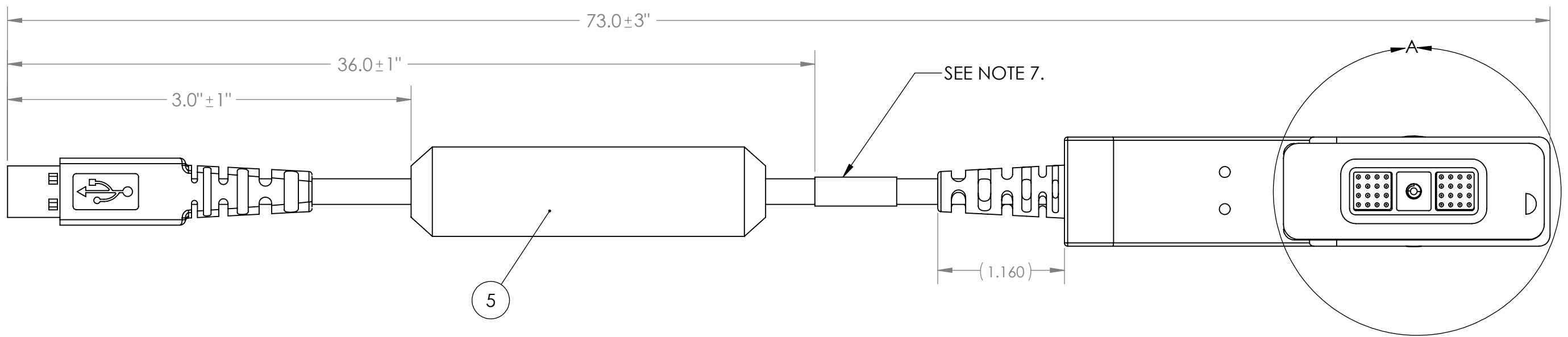
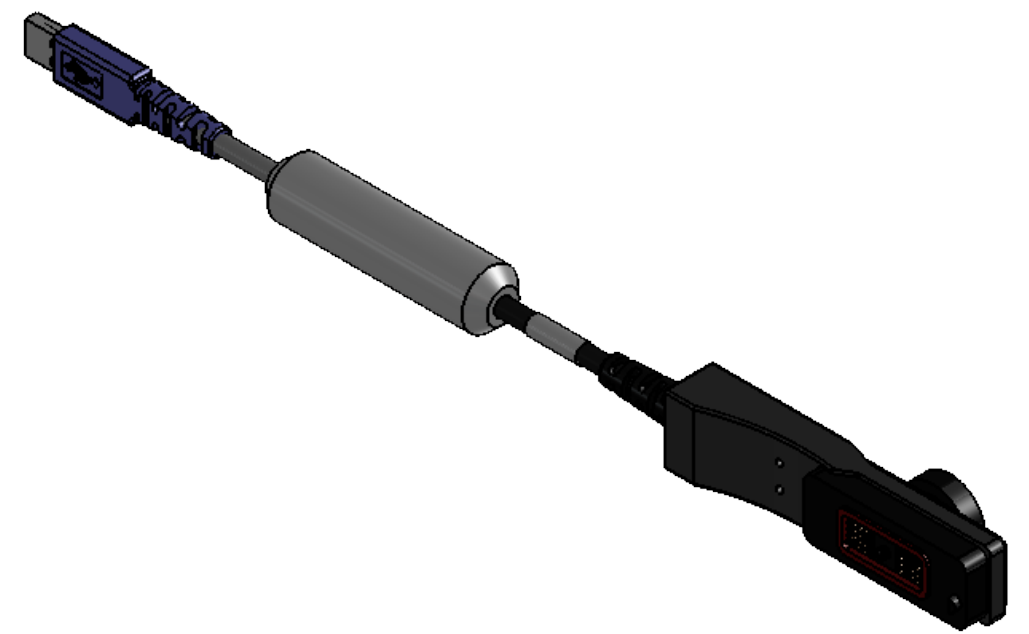
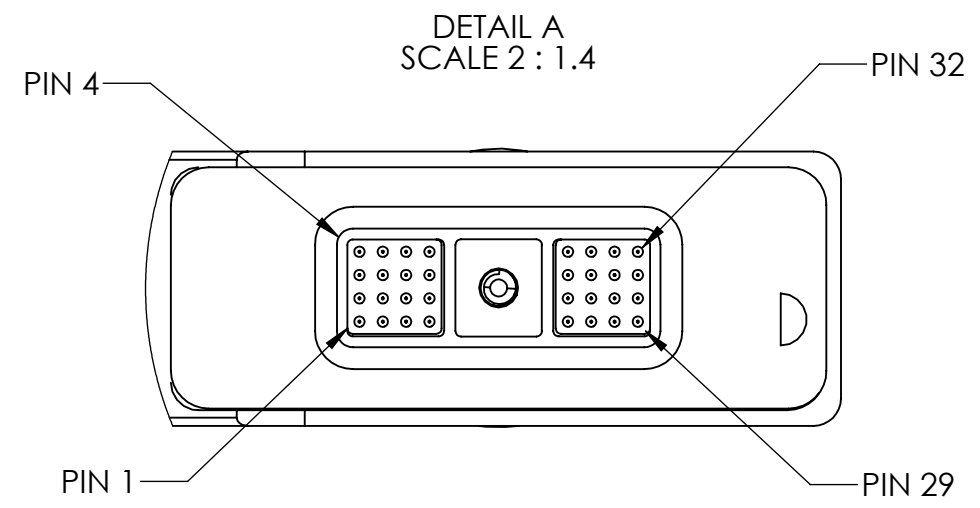


REV	DATE	DESCRIPTION OF CHANGE	ENG
B	03/31/14	REVISED. SEE DCN SN0143A	RJB



NOTES:

- CABLE: 26 AWG, 4 CONDUCTOR, OD: 0.230 NOMINAL. POLYURETHANE INSULATION. OUTER SHIELD 38 AWG, TIN PLATED COPPER BRAID, 90% COVERAGE.
- OVERMOLD MATERIAL: 90A POLYETHER-TYPE THERMOPLASTIC POLYURETHANE (TPU).
- JACKET: BLACK MATTE FINISH.
- E33, E34 IS CHASSIS GROUND
- SOLDERING IAW IPC-J-STD-001 CLASS II AS APPLICABLE.
- CABLE ASSEMBLIES TO BE 100% TESTED FOR CONTINUITY, SHORTS AND INSULATION RESISTANCE (250V @ 100MOHM MINIMUM)
- ATTACH ADHESIVE LABEL (WHITE WITH BLACK FONT) WITH THE FOLLOWING INFORMATION:
27456ASSY
12041-7220-A1
- WIRING FUNCTION: SEE TABLE 1 AND DRAWING SN0072.
- REFERENCE SUPPLYNET FILE NUMBER SN0143.
- MANUFACTURE AND INSPECT IAW IPC/WHMA A-620 CLASS 2.

UNLESS OTHERWISE SPECIFIED:		NAME	DATE
DIMENSIONS ARE IN: INCHES		DRAWN	RJB 04/02/13
TOLERANCES: .XX: ± 0.03		CHECKED	RJB 04/02/16
.XXX: ± 0.005		COMMENTS:	
ANGULAR: .X°: 1°		PROPRIETARY AND CONFIDENTIAL	
.XX°: 0.5°		THE INFORMATION CONTAINED IN THIS DRAWING IS THE SOLE PROPERTY OF SUPPLYNET, INC. ANY REPRODUCTION IN PART OR AS A WHOLE WITHOUT THE WRITTEN PERMISSION OF SUPPLYNET INC. IS PROHIBITED.	
BREAK EDGES: .005 - .020		CAGE CODE: 1HJX9	
FILLET: .005 - .020		SCALE: NA	
SURFACE FINISH:		WEIGHT:	
GEOMETRIC TOLERANCING PER: ASME Y14.5 -2009		SHEET 1 OF 1	
MATERIAL: SEE DRAWING NOTES			
FINISH: SEE DRAWING NOTES			
DO NOT SCALE DRAWING			

PART NUMBER: SN-811

SupplyNet 706 EXECUTIVE BLVD. SUITE B VALLEY COTTAGE, NY 10989

TITLE: AN/PRC-152A USB DATA CABLE. CROSS REFERENCE 12041-7220-A1

SIZE	DWG. NO.	REV
B	SN-811	B