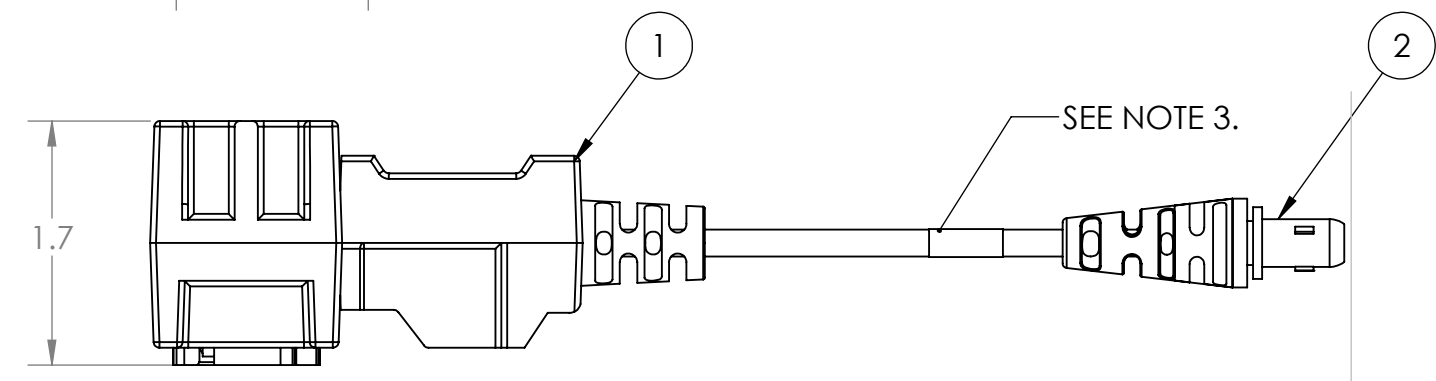
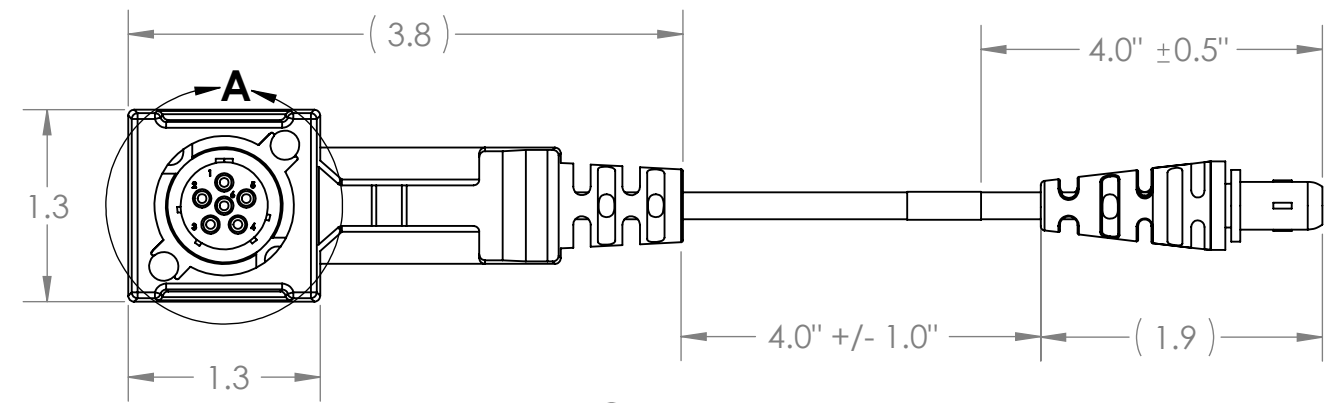
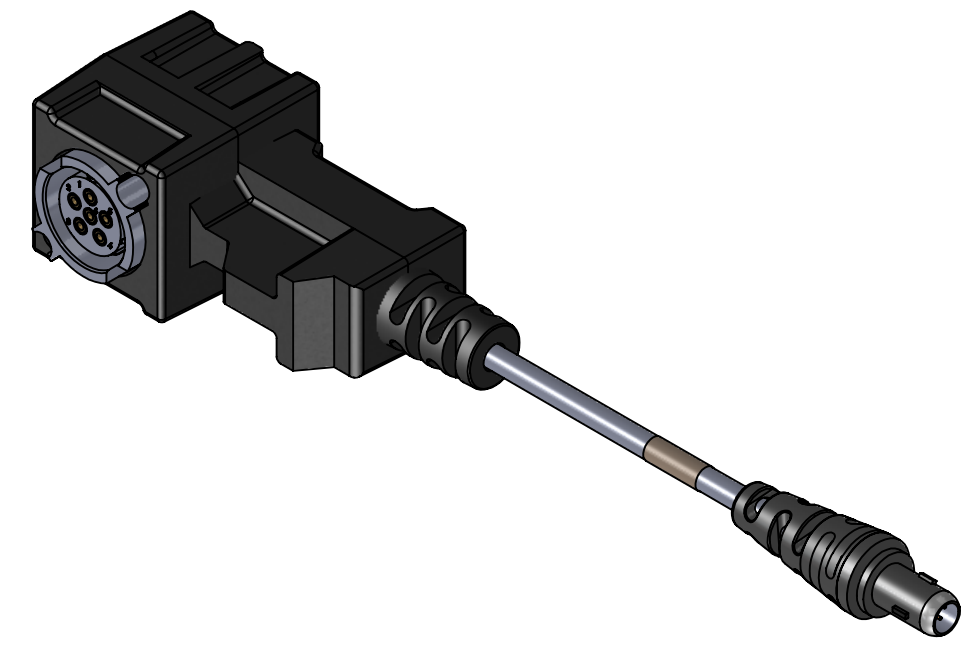
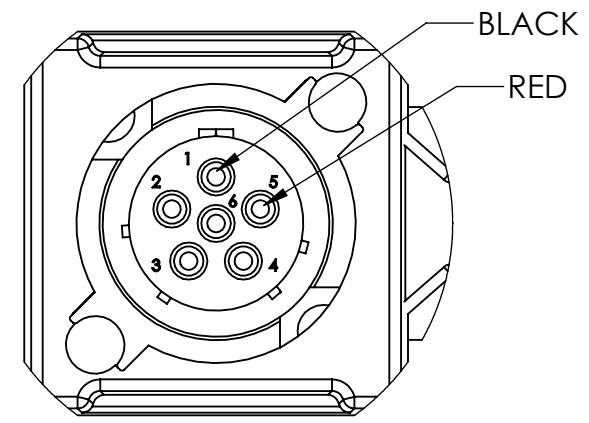


REV	DATE	DESCRIPTION OF CHANGE	ENG
B	8/5/19	UPDATED TOLERANCE ON LENGTH	TC



P1

P2

TABLE 1. WIRE RUN LIST		
P1 (ITEM 1)	COLOR	P2 (ITEM 2)
5	RED	1
1	BLACK	2

BILL OF MATERIALS				
ITEM NO.	PART NUMBER	QTY	NAME	COMMENTS
1	BA5590FC	1	BA-5590 FEMALE CONNECTOR	SUPPLYNET FURNISHED
2	807-309-06ZNU6-6PY	1	CONNECTOR	GLENAIR PN
3	182C-V02B	12.0"	WIRE 2C 18AWG .20(5MM)OD	

NOTES:

- 1) SOLDERING IAW IPC-J-STD-001 CLASS II AS APPLICABLE.
- 2) CABLE ASSEMBLIES TO BE TESTED 100% FOR CONTINUITY, SHORTS, AND INSULATION RESISTANCE (250 VDC @ 100MOHM MINIMUM).
- 3) IDENTIFICATION: IDENTIFY ON THE PART THE FOLLOWING INFORMATION FOR EACH PART DELIVERED. UOS PART MARKING ON WIRE IS PROHIBITED.
PN: SN-835 REV X (REV MARKING PER PO)
CAGE CODE: 1HJX9
DATE OF MFG: MM/YY
 USE ADHESIVE LABEL, WHITE WITH BLACK FONT.
- 4) SUPPLYNET FILE NUMBER SN0160
- 5) MANUFACTURE AND INSPECT IAW IPC/WHMA A-620 CLASS 2.
- 6) WIRE PER TABLE 1.

UNLESS OTHERWISE SPECIFIED:	NAME	DATE
DIMENSIONS ARE IN: INCHES	DRAWN	RJB 08/20/13
TOLERANCES: .XX: ± 0.03	CHECKED	RJB 08/20/13
.XXX: ± 0.005	COMMENTS:	
ANGULAR: .X°: 1°		
.XX°: 0.5°		
BREAK EDGES: .005 - .020		
FILLETS: .005 - .020		
SURFACE FINISH:		
GEOMETRIC TOLERANCING PER: ASME Y14.5 -2009	PROPRIETARY AND CONFIDENTIAL	
MATERIAL: SEE DRAWING NOTES	THE INFORMATION CONTAINED IN THIS DRAWING IS THE SOLE PROPERTY OF SUPPLYNET, INC. ANY REPRODUCTION IN PART OR AS A WHOLE WITHOUT THE WRITTEN PERMISSION OF SUPPLYNET INC. IS PROHIBITED.	
FINISH: SEE DRAWING NOTES	CAGE CODE: 1HJX9	
DO NOT SCALE DRAWING		

PART NUMBER: SN-835

SupplyNet 706 EXECUTIVE BLVD. SUITE B VALLEY COTTAGE, NY 10989

TITLE: **BB590 CONFORMAL BATTERY ADAPTOR TO GLENAIR PLUG.**

SIZE B	DWG. NO. SN-835	REV B
---------------	------------------------	--------------

SCALE: NA WEIGHT: SHEET 1 OF 1