

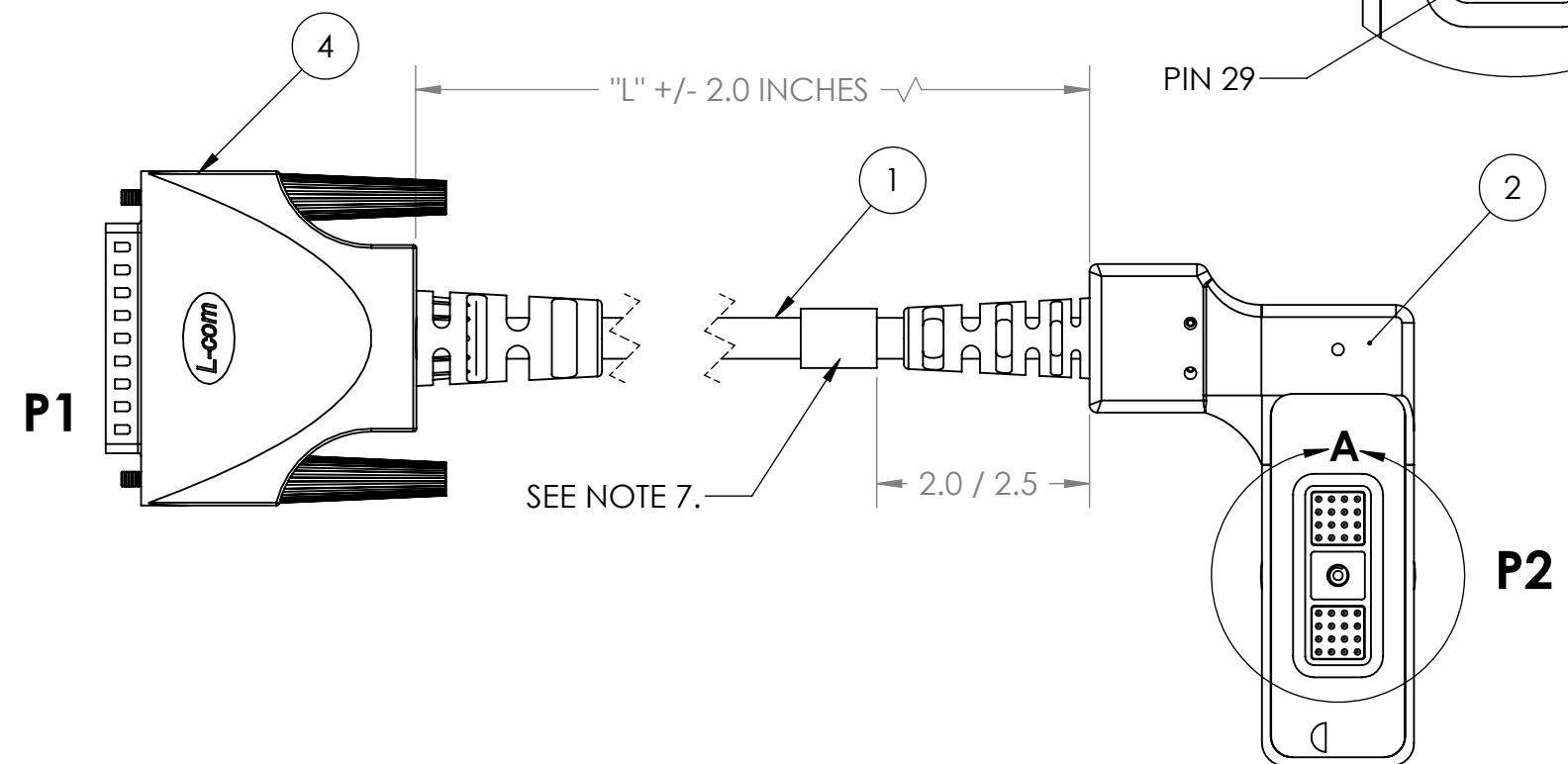
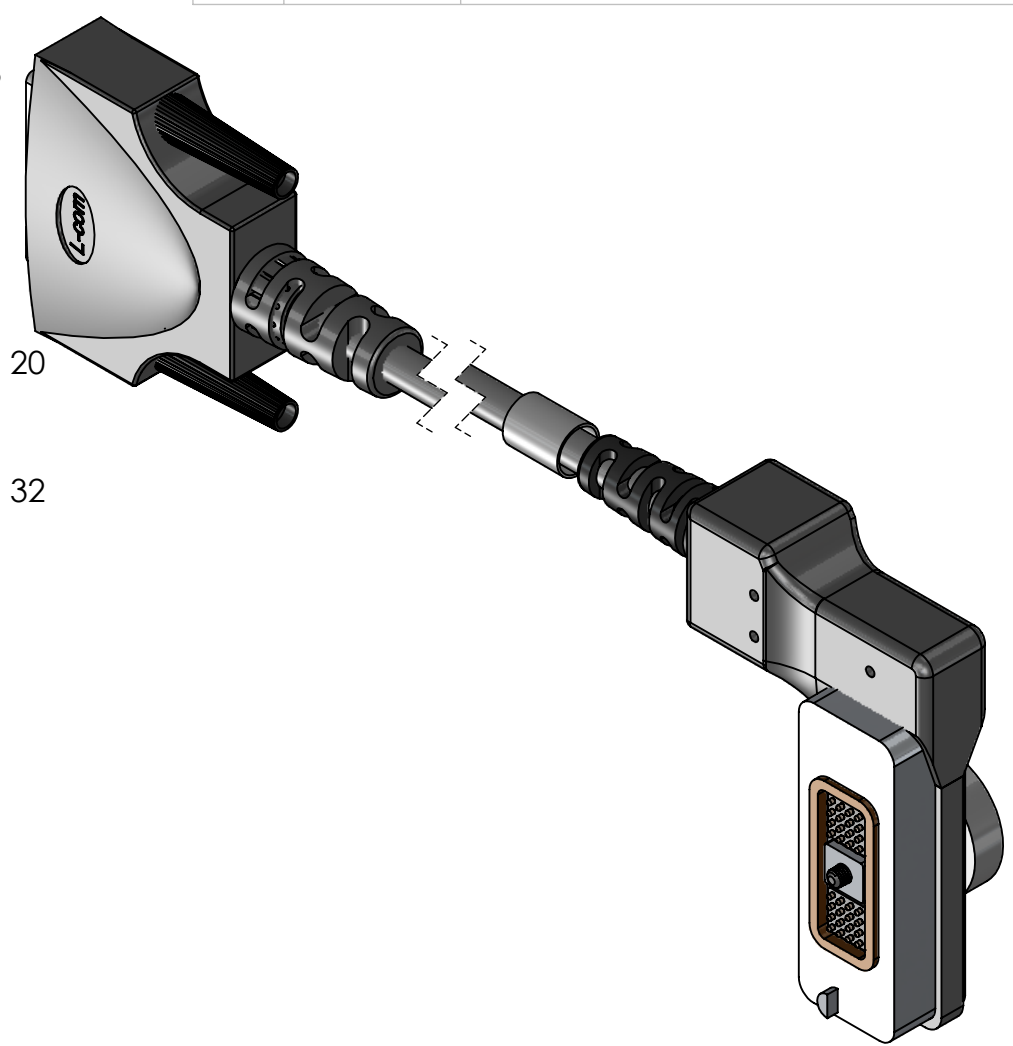
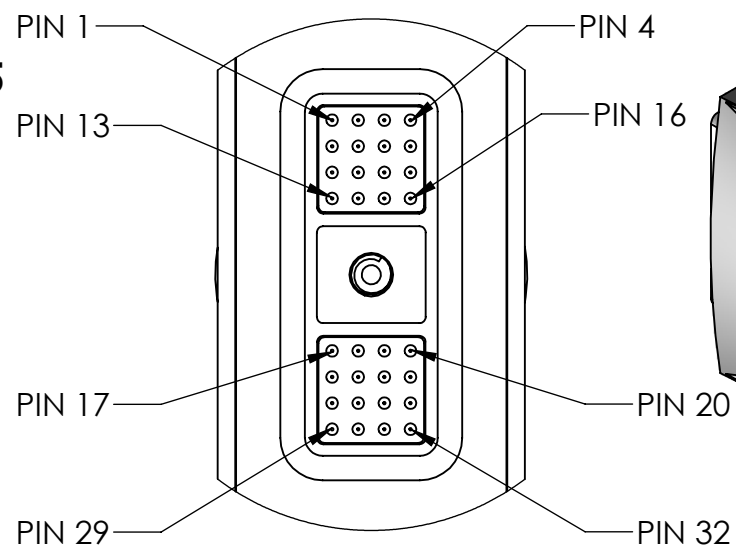
REV	DATE	DESCRIPTION OF CHANGE	ENG
A	03/07/14	RELEASED. SEE DCN SN0171E	RJB

**DETAIL A**  
**SCALE 2 : 1.25**

**PART NUMBER DESCRIPTION**

**SN-868-XX**

= "L" CABLE DIMENSION IN FEET.  
EXAMPLE SN-868-03 HAS AN "L"  
DIMENSION OF 3 FEET. REF.  
TABLE 2.



**NOTES:**

1. CABLES: ITEM 1:26 AWG, 19 CONDUCTOR,OD: 0.270 NOMINAL. POLYURETHANE INSULATION. OUTER SHIELD 38 AWG, TIN PLATED COPPER BRAID, 90% COVERAGE.
2. OVERMOLD MATERIAL: 90A POLYETHER-TYPE THERMOPLASTIC POLYURETHANE (TPU).
3. JACKET: BLACK MATTE FINISH.
4. E33,E34 IS CHASSIS GROUND
5. SOLDERING IAW IPC-J-STD-001CLASS II AS APPLICABLE.
6. CABLE ASSEMBLIES TO BE 100% TESTED FOR CONTINUITY, SHORTS AND INSULATION RESISTANCE (250V @100MOHM MINIMUM)
7. IDENTIFICATION: INDENTIFY ON PART THE FOLLOWING INFORMATION FOR EACH PART DELIVERED.  
UOS PART MARKING ON THE WIRE IS PROHIBITED:  
**PN: SN-868-XX REV X (REV MARKING PER PO & PN PER DESCRIPTION)**  
**CAGE CODE: 1HJX9**  
**DATE OF MFGR: MM/YY**  
USE ADHESIVE LABEL, WHITE WITH BLACK FONT.
8. REFERENCE SUPPLYNET FILE NUMBER SN0171.
9. MANUFACTURE AND INSPECT IAW IPC/WHMA A-620 CLASS 2.

UNLESS OTHERWISE SPECIFIED:

DIMENSIONS ARE IN: INCHES  
TOLERANCES: .XX: ± 0.03  
.XXX: ± 0.005  
ANGULAR: .X°: 1°  
.XX°: 0.5°  
BREAK EDGES: .005 - .020  
FILLETS: .005 - .020  
SUFACE FINISH:

GEOMETRIC TOLERANCING  
PER: ASME Y14.5 -2009

MATERIAL: SEE DRAWING NOTES  
FINISH: SEE DRAWING NOTES

DO NOT SCALE DRAWING

	NAME	DATE
DRAWN	RJB	04/11/13
CHECKED	RJB	04/11/13
COMMENTS:		

**PROPRIETARY AND CONFIDENTIAL**  
THE INFORMATION CONTAINED IN THIS DRAWING IS THE SOLE PROPERTY OF SUPPLYNET, INC. ANY REPRODUCTION IN PART OR AS A WHOLE WITHOUT THE WRITTEN PERMISSION OF SUPPLYNET INC. IS PROHIBITED.

**CAGE CODE: 1HJX9**

PART NUMBER: SN-868-XX		
706 EXECUTIVE BLVD. SUITE B VALLEY COTTAGE, NY 10989		
TITLE: FRONT EXIT PRC-117G 32 PIN INTERFACE J3 PORT TO DB25 MALE.		
SIZE <b>B</b>	DWG. NO. SN-868-XX	REV <b>A</b>
SCALE: NA	WEIGHT:	SHEET 1 OF 1