

REV	DATE	DESCRIPTION OF CHANGE	ENG
B	04/29/14	REVISED. SEE DCN SN0069AE	RJB

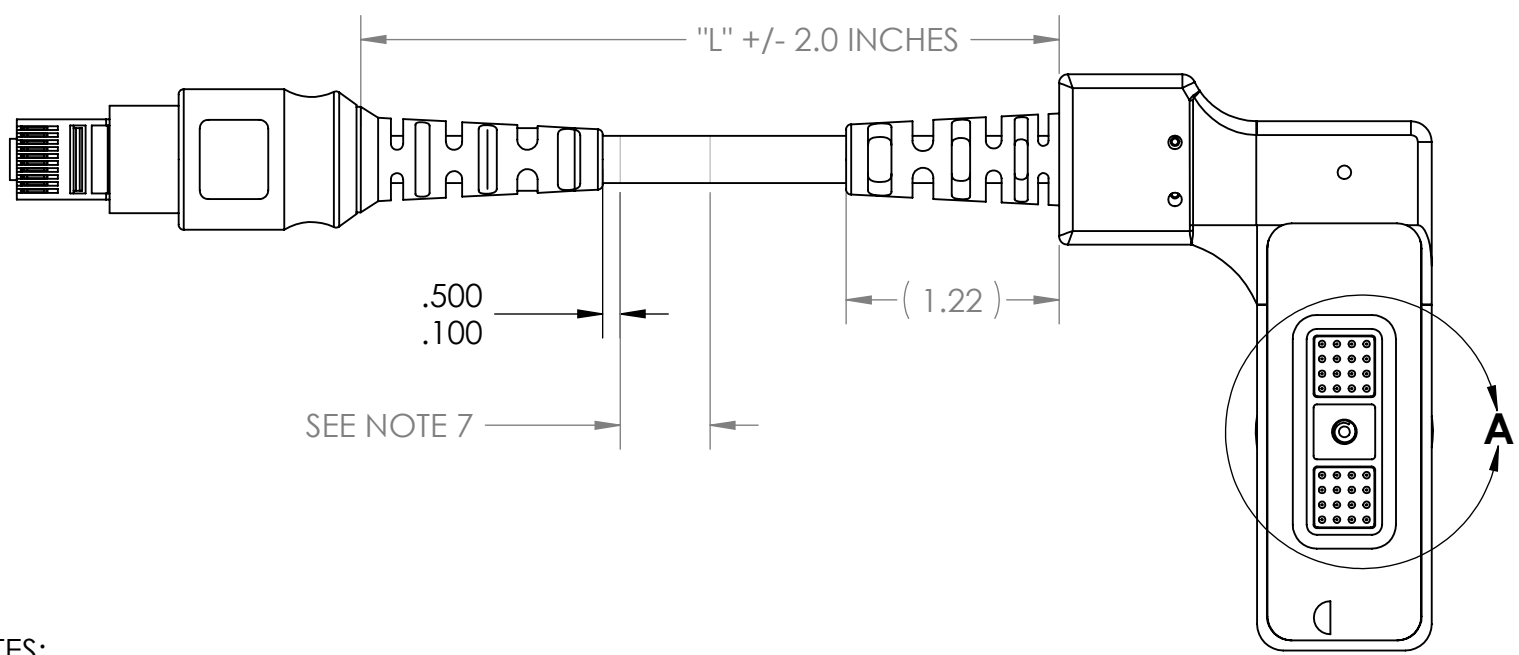
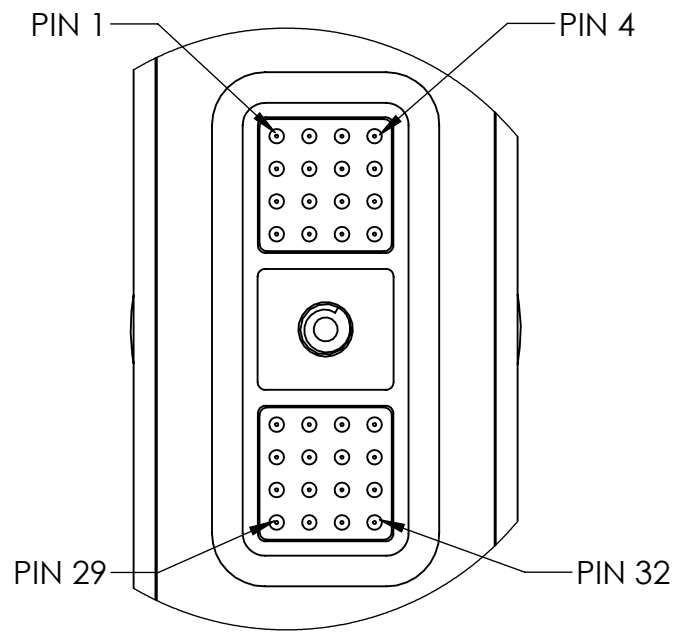
PART NUMBER DESCRIPTION

SN-900-XX

= "L" CABLE LENGTH IN FEET.
REF. TABLE 2.

TABLE 2	
PART NUMBER & PART MARKING	"L" DIMENSION (INCHES)
SN-900-03	36
SN-900-06	72
SN-900-08	96
SN-900-10	120
SN-900-12	144
SN-900-18	216
SN-900-20	240
SN-900-25	300
SN-900-30	360

**DETAIL A
SCALE 2 : 1**



NOTES:

- CABLE: 4 CONDUCTOR, OD: 0.230 NOMINAL. POLYURETHANE INSULATION. OUTER SHIELD 38 AWG, TIN PLATED COPPER BRAID, 90% COVERAGE.
- OVERMOLD MATERIAL: 90A POLYETHER-TYPE THERMOPLASTIC POLYURETHANE (TPU).
- JACKET: BLACK MATTE FINISH.
- E33, E34 IS CHASSIS GROUND
- SOLDERING IAW IPC-J-STD-001 AS APPLICABLE.
- CABLE ASSEMBLIES TO BE 100% TESTED FOR CONTINUITY, SHORTS AND INSULATION RESISTANCE (250V @ 100MOHM MINIMUM)
- IDENTIFICATION: BAG AND IDENTIFY ON PACKAGING THE FOLLOWING INFORMATION FOR EACH PART DELIVERED. UOS PART MARKING ON THE WIRE IS PROHIBITED:
PN: SN-900-XX REV X (REV MARKING PER PO, PART MARKING PER TABLE 2.)
CAGE CODE: 1HJX9
DATE OF MFG: MM/YY
- WIRING FUNCTION: WIRE PER TABLE 1 AND DRAWING SN0057.
- REFERENCE SUPPLYNET FILE NUMBER SN0069.
- MANUFACTURE AND INSPECT IAW IPC/WHMA A-620 CLASS 2.
- HARRIS CROSS REFERENCE [12043-2760-A006]

UNLESS OTHERWISE SPECIFIED:
DIMENSIONS ARE IN: INCHES
TOLERANCES: .XX: ± 0.03
.XXX: ± 0.005
ANGULAR: .X°: 1°
.XX°: 0.5°
BREAK EDGES: .005 - .020
FILLET: .005 - .020
SURFACE FINISH:
GEOMETRIC TOLERANCING PER: ASME Y14.5 -2009
MATERIAL: SEE DRAWING NOTES
FINISH: SEE DRAWING NOTES
DO NOT SCALE DRAWING

	NAME	DATE
DRAWN	RJB	04/02/13
CHECKED	RJB	04/02/16
COMMENTS:		

PART NUMBER: SN-900-XX

SupplyNet 706 EXECUTIVE BLVD.
SUITE B
VALLEY COTTAGE, NY 10989

TITLE:
**FRONT EXIT PRC-117G
TO RJ45, J3 PORT
CROSS REFERENCE 12043-2760-A006**

SIZE B	DWG. NO. SN-900-XX	REV B
------------------	------------------------------	-----------------

SCALE: NA WEIGHT: SHEET 1 OF 1

PROPRIETARY AND CONFIDENTIAL
THE INFORMATION CONTAINED IN THIS DRAWING IS THE SOLE PROPERTY OF SUPPLYNET, INC. ANY REPRODUCTION IN PART OR AS A WHOLE WITHOUT THE WRITTEN PERMISSION OF SUPPLYNET INC. IS PROHIBITED.

CAGE CODE: 1HJX9