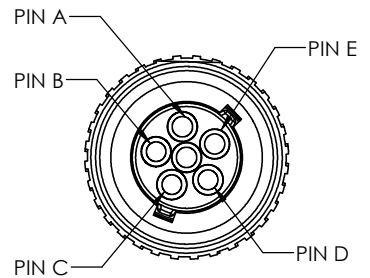
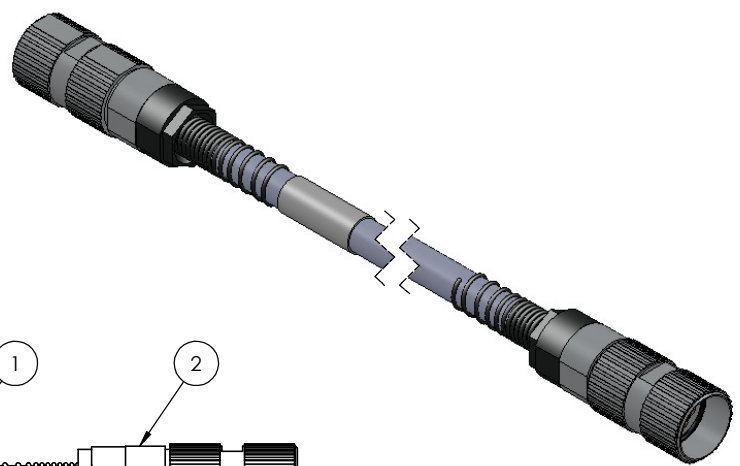
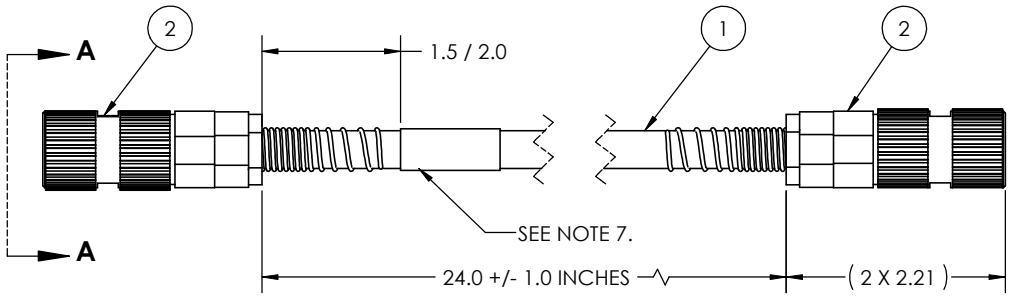


TABLE 1		
ITEM 1 (6 C CABLE)		
FROM (P1)	TO (P2)	WIRE COLOR
A	A	BLACK
B	B	RED
C	C	BROWN
D	D	BLUE
E	E	GREEN
F	F	WHITE
CHASSIS GROUND	SHELL	CHASSIS GROUND

REV	DATE	DESCRIPTION OF CHANGE	ENG
B	09/05/13	REVISED. SEE DCN SN0048-	RJB



**SECTION A-A  
SCALE 2 : 1**



- NOTES:
- CABLES: ITEM 1:22 AWG, 6 CONDUCTOR, OD: 0.230 NOMINAL. POLYURETHANE INSULATION. OUTER SHIELD 38 AWG, TIN PLATED COPPER BRAID, 90% COVERAGE.
  - OVERMOLD MATERIAL: 90A POLYETHER-TYPE THERMOPLASTIC POLYURETHANE (TPU).
  - JACKET: BLACK MATTE FINISH.
  - E33, E34 IS CHASSIS GROUND.
  - SOLDERING IAW IPC-J-STD-001 CLASS II AS APPLICABLE.
  - CABLE ASSEMBLIES TO BE 100% TESTED FOR CONTINUITY, SHORTS AND INSULATION RESISTANCE (250V @ 100MOHM MINIMUM)
  - IDENTIFICATION: IDENTIFY ON PART THE FOLLOWING INFORMATION FOR EACH PART DELIVERED. UOS PART MARKING ON THE WIRE IS PROHIBITED:  
**PN: SN-909-02 REV X (REV MARKING PER PO)**  
**CAGE CODE: 1HJX9**  
**DATE OF MFGR: MM/YY**  
 USE ADHESIVE LABEL, WHITE WITH BLACK FONT.
  - WIRING FUNCTION AND PIN LOCATION: SEE TABLE 1.
  - REFERENCE SUPPLYNET FILE NUMBER SN0048.
  - MANUFACTURE AND INSPECT IAW IPC/WHMA A-620 CLASS 2.
  - COVER SOLDERED CONNECTIONS WITH SHRINK TUBING.
  - FILL SOLDERED CAVITIES WITH ITEM 5. CURE PER MANUFACTURES INSTRUCTIONS.

BILL OF MATERIALS				
ITEM NO.	PART NUMBER	QTY	NAME	COMMENTS
1	51395	26"	CABLE	6C CABLE
2	U-329/U	2	CONNECTOR	6 PIN
3	24-7068-7601	AR	SOLDER, LEAD FREE	KESTER
4	RTV162	AR	ADHESIVE	DOW

UNLESS OTHERWISE SPECIFIED:		PART NUMBER: SN-909-02	
DRAWN	RJB	DATE	02/21/13
CHECKED	RJB	DATE	02/21/13
DIMENSIONS ARE IN: INCHES		TOLERANCES: .XX: ± 0.03	
ANGULAR: .XX°.1*		.XX°.0.5*	
BREAK EDGES: .005 - .020		FILLETS: .005 - .020	
SURFACE FINISH:		GEO-METRIC TOLERANCING PER: ASME Y14.5-2009	
MATERIAL: SEE DRAWING NOTES		FINISH: SEE DRAWING NOTES	
DO NOT SCALE DRAWING		CAGE CODE: 1HJX9	
		614 CORPORATE WAY SUITE 8M VALLEY COTTAGE, NY 10989	
TITLE: 6 PIN CRYTO CABLE, FEMALE TO FEMALE			
SIZE	DWG. NO.	REV	
B	SN-909-02	B	
SCALE: NA		WEIGHT:	SHEET 1 OF 1