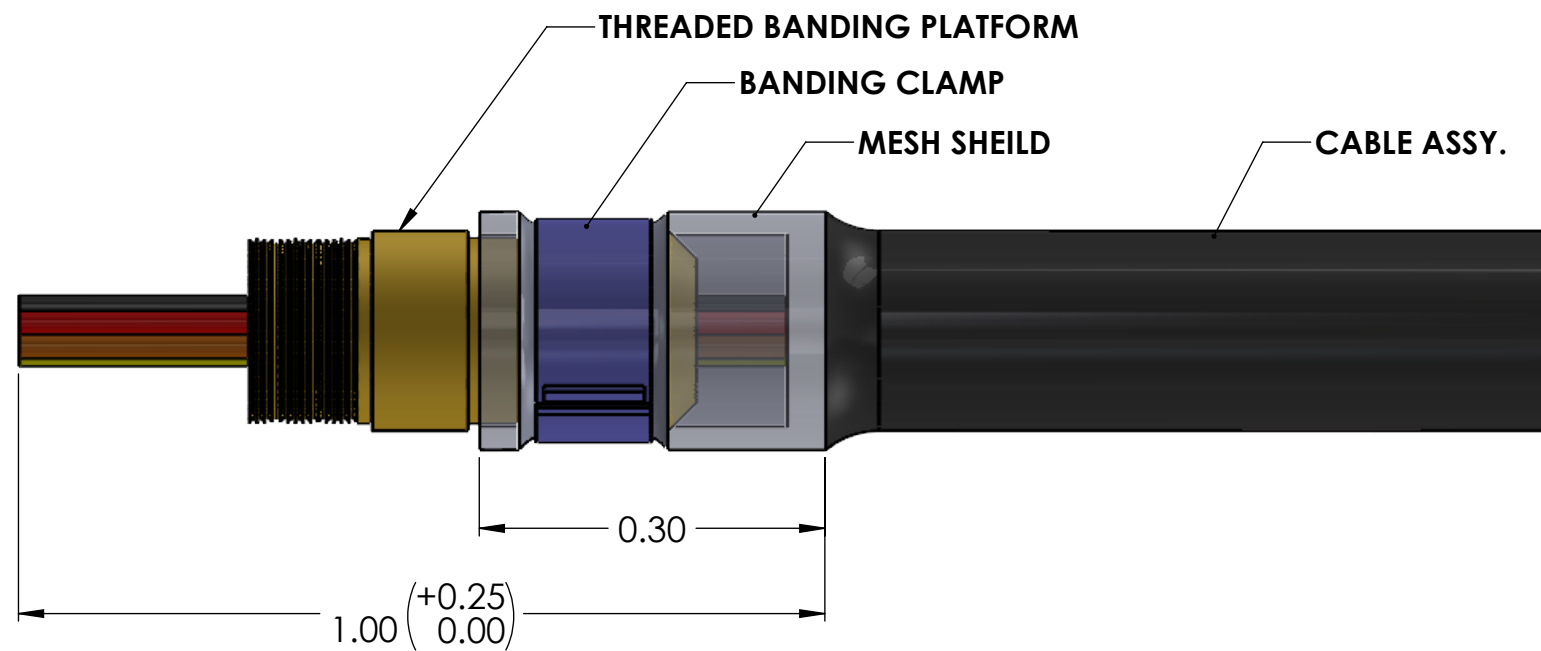
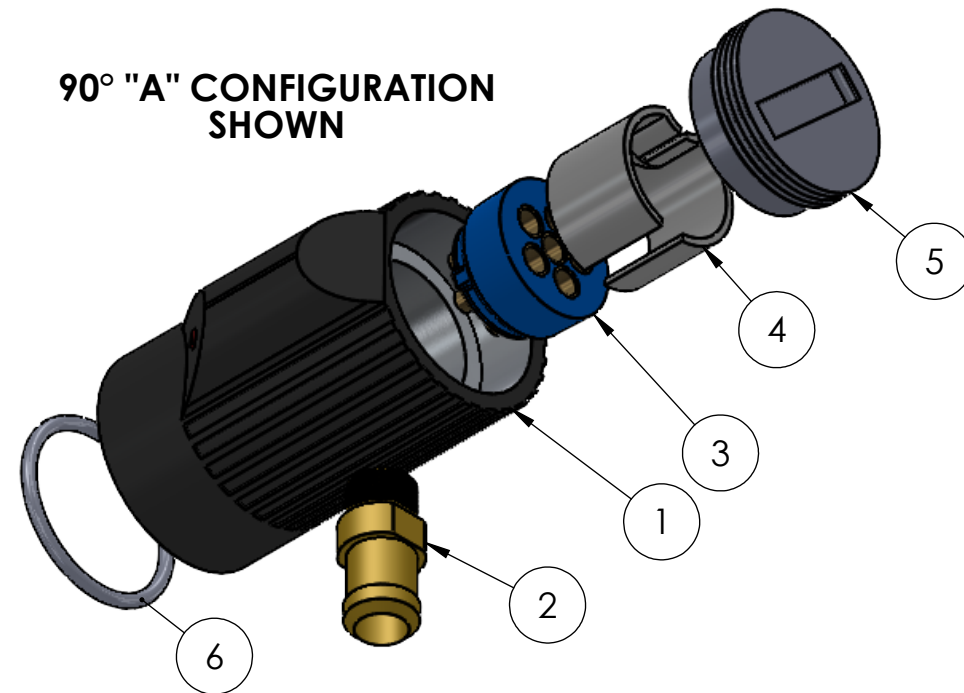


# SN-909-"X"-KIT ASSEMBLY INSTRUCTIONS

1. INSTALL PLUG INSERT INTO SN-M55116/4-3-"X" SHELL, MAKING SURE TO ALIGN KEYS WITH KEYWAYS ON SHELL.
2. APPLY LOCTITE TO BANDING PLATFORM THREADS AND SCREW BANDING PLATFORM INTO SN-M55116/4-3-"X" SHELL.
3. INSERT WIRES THRU BANDING PLATFORM AND INTO SHELL, EXPANDING MESH SHIELD AROUND BANDING PLATFORM AS WIRES ARE INSERTED.
4. SOLDER WIRES TO THE SOLDER CUPS ON PLUG INSERT.  
**NOTE:** SOLDERING IS DONE WITHIN THE SN-M55116 SHELL.
5. SECURE MESH SHIELD TO BANDING PLATFORM USING BANDING CLAMP.
6. INSERT PLASTIC STANDOFF. **NOTE:** PLASTIC STANDOFF MIGHT NEED TO BE TRIMMED IN ORDER TO PROVIDE CLEARANCE FOR WIRES AND TO FIT INTO SHELL.
7. APPLY LOCTITE TO BACK PLUG THREADS AND SCREW BACK PLUG INTO SHELL.
8. COVER SHIELD AND BANDING PLATFORM WITH ADHESIVE LINED SHRINK BOOT.



REV.	DESCRIPTION	DATE	APPROVED
A	INITIAL REV.	9/18/2020	MOB

BILL OF MATERIALS			
ITEM NO.	PART NO.	QTY	NAME/DESCRIPTION
1	SN-M55116/4-3-"X"	1	CONNECTOR SHELL, WITH THREADED HOLE.
2	SN-M55116/4-3-BP	1	THREADED BANDING PLATFORM
3	44-3295	1	6 PIN PLUG INSERT
4	44-109	1	PLASTIC STANDOFF
5	SN-M55116/4-3-PLUG		BACK PLUG
6	55-127	1	O-RING (MAY BE PRE-INSTALLED IN SHELL)

UNLESS OTHERWISE SPECIFIED:		NAME	DATE	<b>SupplyNet</b> 706 EXECUTIVE BLVD. SUITE B VALLEY COTTAGE, NY 10989
DIMENSIONS ARE IN: INCHES TOLERANCES: .XX: ± 0.03 .XXX: ± 0.005 ANGULAR: .X°: 1° .XX°: 0.5° BREAK EDGES: .005 - .020 FILLET: .005 - .020 SURFACE FINISH:		DRAWN	MOB 9/18/2020	
GEOMETRIC TOLERANCING PER: ASME Y14.5 -2009		CHECKED	RB 9/18/2020	TITLE:
MATERIAL: SEE DRAWING NOTES		COMMENTS:		<b>SN-909-X-KIT ASSEMBLY INSTRUCTIONS</b>
FINISH: SEE DRAWING NOTES		<b>PROPRIETARY AND CONFIDENTIAL</b> THE INFORMATION CONTAINED IN THIS DRAWING IS THE SOLE PROPERTY OF SUPPLYNET, INC. ANY REPRODUCTION IN PART OR AS A WHOLE WITHOUT THE WRITTEN PERMISSION OF SUPPLYNET INC. IS PROHIBITED.		
DO NOT SCALE DRAWING		CAGE CODE: 1HJX9		SIZE <b>B</b> DWG. NO. SN-909-KIT-INSTRUCT REV A
		SCALE: NA	WEIGHT:	SHEET 1 OF 1

REF. NUMBER: SNO469

**SupplyNet**  
706 EXECUTIVE BLVD.  
SUITE B  
VALLEY COTTAGE, NY 10989

**SN-909-X-KIT  
ASSEMBLY INSTRUCTIONS**

SIZE **B** DWG. NO. SN-909-KIT-INSTRUCT REV A

SCALE: NA WEIGHT: SHEET 1 OF 1