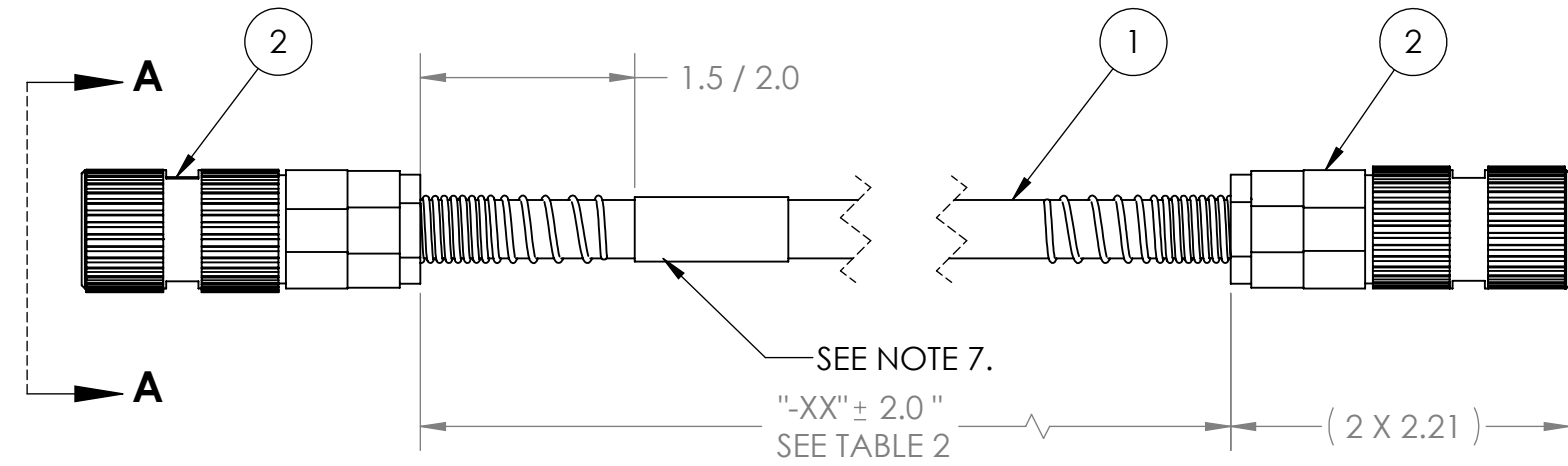
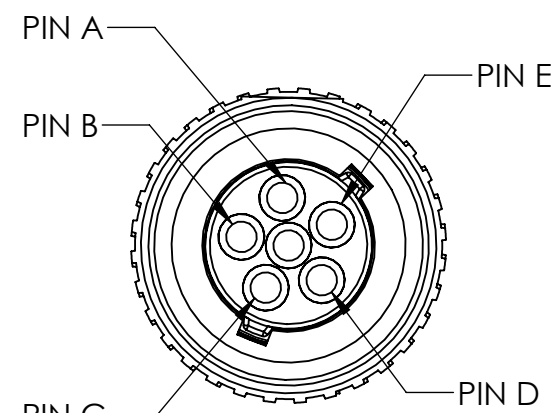
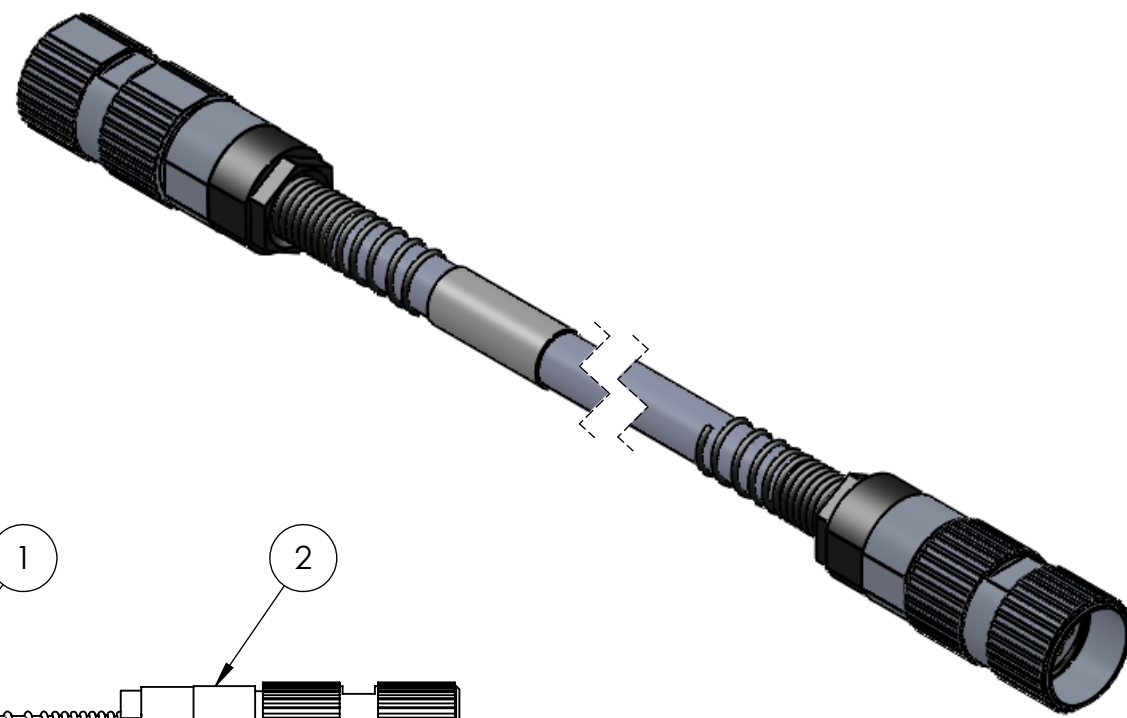


TABLE 1		
ITEM 1 (6 C CABLE)		
FROM (P1)	TO (P2)	WIRE COLOR
A	A	BLACK
B	B	RED
C	C	BROWN
D	D	BLUE
E	E	GREEN
F	F	WHITE
CHASSIS GROUND	SHELL	CHASSIS GROUND

TABLE 2	
"-XX"	"XX" DIMENSION (FT.)
-02	2
-03	3
-04	4
-05	5
-06	6
-08	8
-10	10
-12	12
-18	18
-20	20
-25	25

REV	DATE	DESCRIPTION OF CHANGE	ENG
B	10/23/15	Added 5ft Length to Table	TC



- NOTES:
- CABLES: ITEM 1:22 AWG, 6 CONDUCTOR,OD: 0.230 NOMINAL. POLYURETHANE INSULATION. OUTER SHIELD 38 AWG, TIN PLATED COPPER BRAID, 90% COVERAGE.
  - OVERMOLD MATERIAL: 90A POLYETHER-TYPE THERMOPLASTIC POLYURETHANE (TPU).
  - JACKET: BLACK MATTE FINISH.
  - E33,E34 IS CHASSIS GROUND
  - SOLDERING IAW IPC-J-STD-001CLASS II AS APPLICABLE.
  - CABLE ASSEMBLIES TO BE 100% TESTED FOR CONTINUITY, SHORTS AND INSULATION RESISTANCE (250V @100MOHM MINIMUM)
  - IDENTIFICATION: INDENTIFY ON PART THE FOLLOWING INFORMATION FOR EACH PART DELIVERED. UOS PART MARKING ON THE WIRE IS PROHIBITED:  
**PN: SN-909-XX REV X (REV MARKING PER PO)**  
**CAGE CODE: 1HJX9**  
**DATE OF MFR: MM/YY**  
 USE ADHESIVE LABEL, WHITE WITH BLACK FONT.
  - WIRING FUNCTION AND PIN LOCATION: SEE TABLE 1.
  - REFERENCE SUPPLYNET FILE NUMBER SN0048.
  - MANUFACTURE AND INSPECT IAW IPC/WHMA A-620 CLASS 2.
  - COVER SOLDERED CONNECTIONS WITH SHRINK TUBING.
  - FILL SOLDERED CAVITIES WITH ITEM 5. CURE PER MANUFACTURES INSTRUCTIONS.

BILL OF MATERIALS				
ITEM NO.	PART NUMBER	QTY	NAME	COMMENTS
1	51395	-XX (See Table 2)	CABLE	6C CABLE
2	U-329/U	2	CONNECTOR	6 PIN
3	TBD	AR	SOLDER	
4	RTV162	AR	ADHESIVE	DOW

UNLESS OTHERWISE SPECIFIED:  
 DIMENSIONS ARE IN: INCHES  
 TOLERANCES: .XX: ± 0.03  
 .XXX: ± 0.005  
 ANGULAR: .X°: 1°  
 .XX°: 0.5°  
 BREAK EDGES: .005 - .020  
 FILLETS: .005 - .020  
 SURFACE FINISH:  
 GEOMETRIC TOLERANCING PER: ASME Y14.5-2009  
 MATERIAL: SEE DRAWING NOTES  
 FINISH: SEE DRAWING NOTES  
 DO NOT SCALE DRAWING

NAME	DATE
DRAWN: TC	03/02/15
CHECKED: RJB	03/02/15
COMMENTS:	

PART NUMBER: SN-909-XX

**SupplyNet** 706 EXECUTIVE BLVD. SUITE B VALLEY COTTAGE, NY 10989

TITLE: **6 PIN CRYTO CABLE, FEMALE TO FEMALE**

SIZE: <b>B</b>	DWG. NO.: <b>SN-909-XX</b>	REV: <b>B</b>
----------------	----------------------------	---------------

CAGE CODE: 1HJX9

SCALE: NA WEIGHT: SHEET 1 OF 1