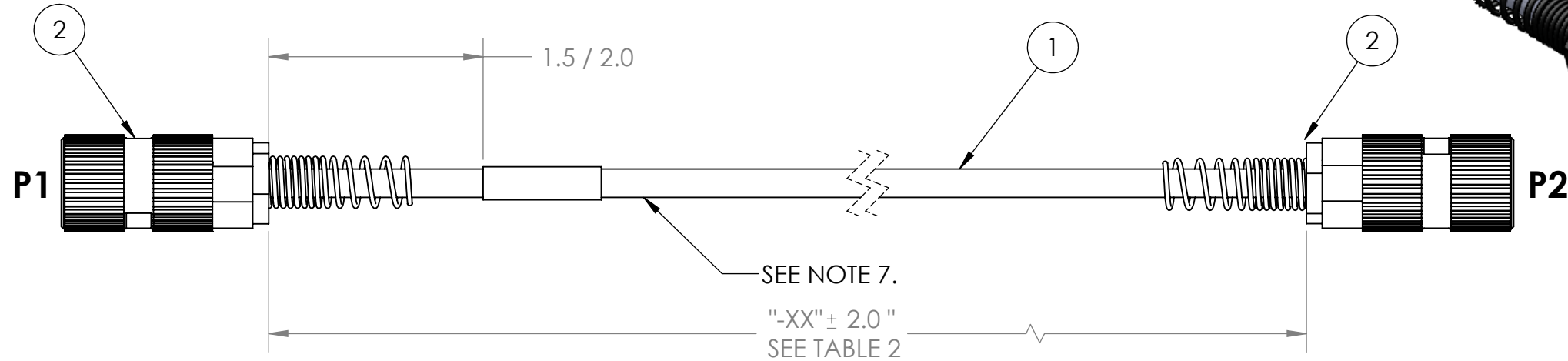
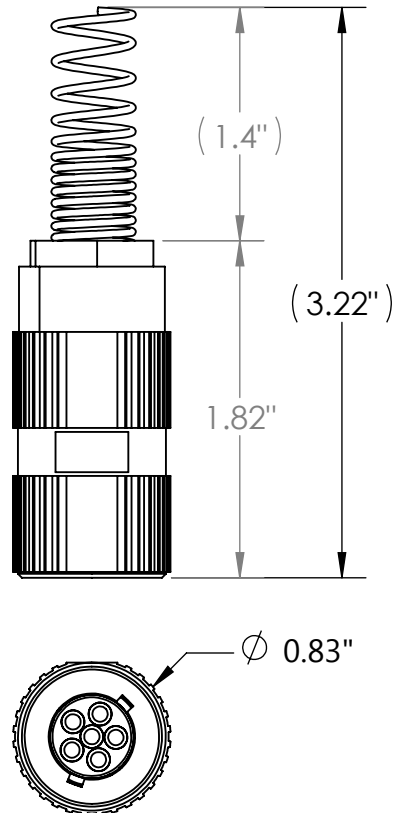
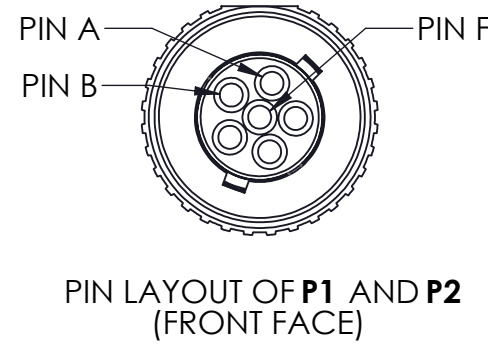
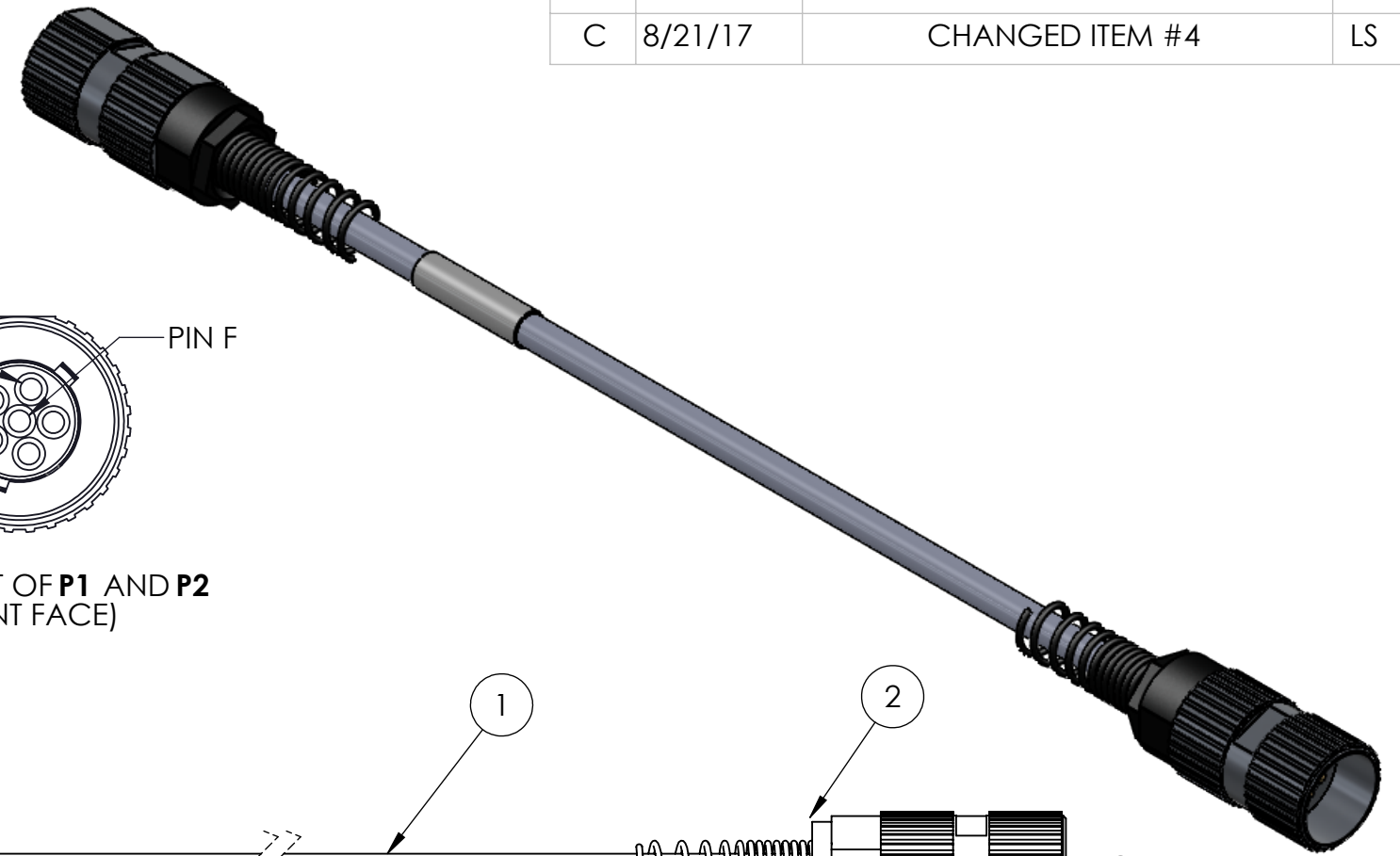


TABLE 1		
ITEM 1 (6 C CABLE)		
FROM (P1)	TO (P2)	WIRE COLOR
A	A	BLACK
B	B	RED
C	C	BROWN
D	D	BLUE
E	E	GREEN
F	F	WHITE
CHASSIS GROUND	SHELL	CHASSIS GROUND

TABLE 2	
"-XX"	"XX" DIMENSION (FT.)
-02	2
-03	3
-04	4
-05	5
-06	6
-08	8
-10	10
-12	12
-18	18
-20	20
-25	25

REV	DATE	DESCRIPTION OF CHANGE	ENG
C	8/21/17	CHANGED ITEM #4	LS



NOTES:

- CABLES: ITEM 1:22 AWG, 6 CONDUCTOR, OD: 0.230 NOMINAL. POLYURETHANE INSULATION. OUTER SHIELD 38 AWG, TIN PLATED COPPER BRAID, 90% COVERAGE.
- OVERMOLD MATERIAL: 90A POLYETHER-TYPE THERMOPLASTIC POLYURETHANE (TPU).
- JACKET: BLACK MATTE FINISH.
- E33,E34 IS CHASSIS GROUND
- SOLDERING IAW IPC-J-STD-001 CLASS II AS APPLICABLE.
- CABLE ASSEMBLIES TO BE 100% TESTED FOR CONTINUITY, SHORTS AND INSULATION RESISTANCE (250VDC @ 100MOHM MINIMUM).
- IDENTIFICATION: IDENTIFY ON PART THE FOLLOWING INFORMATION FOR EACH PART DELIVERED. UOS PART MARKING ON THE WIRE IS PROHIBITED:
PN: SN-909-XX REV X (REV MARKING PER PO)
CAGE CODE: 1HJX9
DATE OF MFR: MM/YY
- USE ADHESIVE LABEL, WHITE WITH BLACK FONT.
- WIRING FUNCTION AND PIN LOCATION: SEE TABLE 1.
- MANUFACTURE AND INSPECT IAW IPC/WHMA A-620 CLASS 2.
- COVER SOLDERED CONNECTIONS WITH SHRINK TUBING.
- FILL SOLDERED CAVITIES WITH ITEM 4. CURE PER MANUFACTURES INSTRUCTIONS.

BILL OF MATERIALS				
ITEM NO.	PART NUMBER	QTY	NAME	COMMENTS
1	51395	-XX (See Table 2)	CABLE	6C CABLE
2	U-329/U	2	CONNECTOR	6 PIN
3	TBD	AR	SOLDER	
4	DP-100	AR	EPOXY	

UNLESS OTHERWISE SPECIFIED:		NAME	DATE
DIMENSIONS ARE IN: INCHES		DRAWN	TC 03/02/15
TOLERANCES: .XX: ± 0.03		CHECKED	RJB 03/02/15
.XXX: ± 0.005		COMMENTS:	
ANGULAR: .X°: 1°		PROPRIETARY AND CONFIDENTIAL THE INFORMATION CONTAINED IN THIS DRAWING IS THE SOLE PROPERTY OF SUPPLYNET, INC. ANY REPRODUCTION IN PART OR AS A WHOLE WITHOUT THE WRITTEN PERMISSION OF SUPPLYNET INC. IS PROHIBITED.	
.XX°: 0.5°		CAGE CODE: 1HJX9	
BREAK EDGES: .005 - .020		SCALE: NA WEIGHT: SHEET 1 OF 1	
FILLET: .005 - .020			
SURFACE FINISH:			
GEOMETRIC TOLERANCING PER: ASME Y14.5-2009			
MATERIAL: SEE DRAWING NOTES			
FINISH: SEE DRAWING NOTES			
DO NOT SCALE DRAWING			

REF. NUMBER: SN0048

SupplyNet 706 EXECUTIVE BLVD. SUITE B VALLEY COTTAGE, NY 10989

TITLE: **6 PIN CRYTO CABLE, FEMALE TO FEMALE**

SIZE **B** DWG. NO. **SN-909-XX** REV **C**