

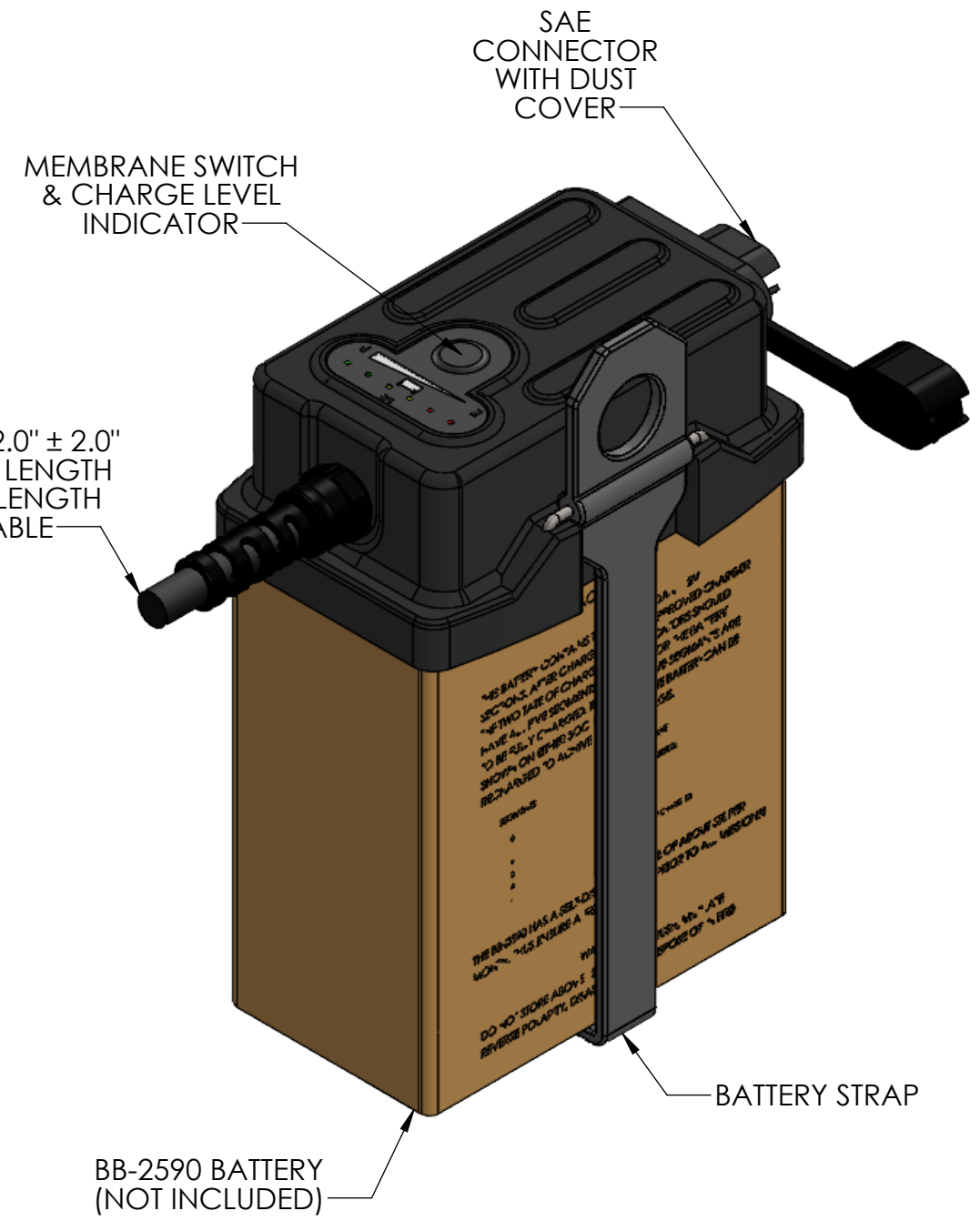
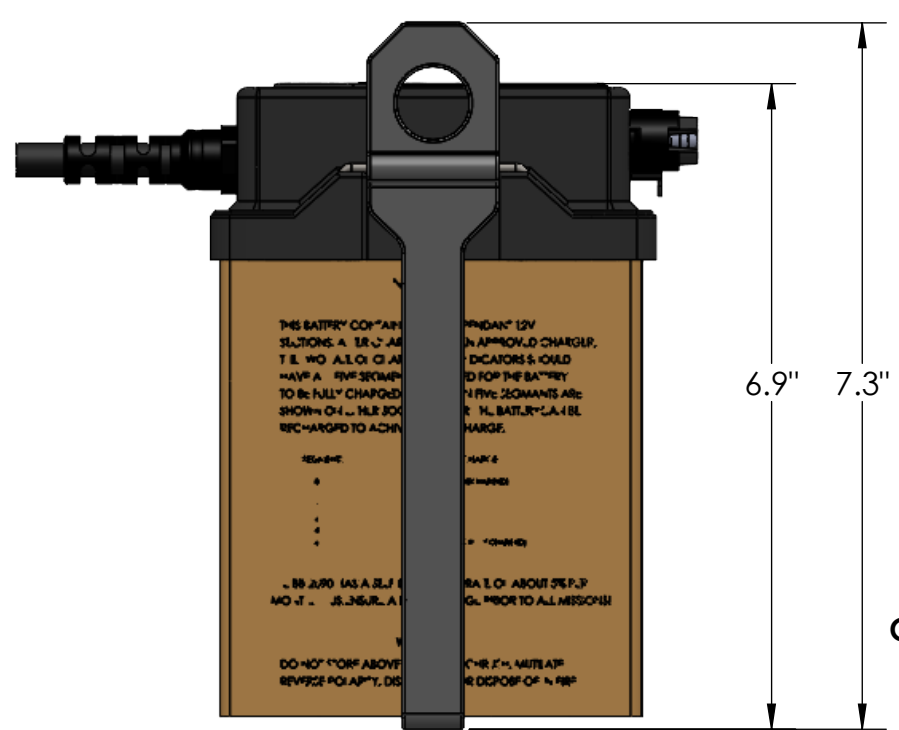
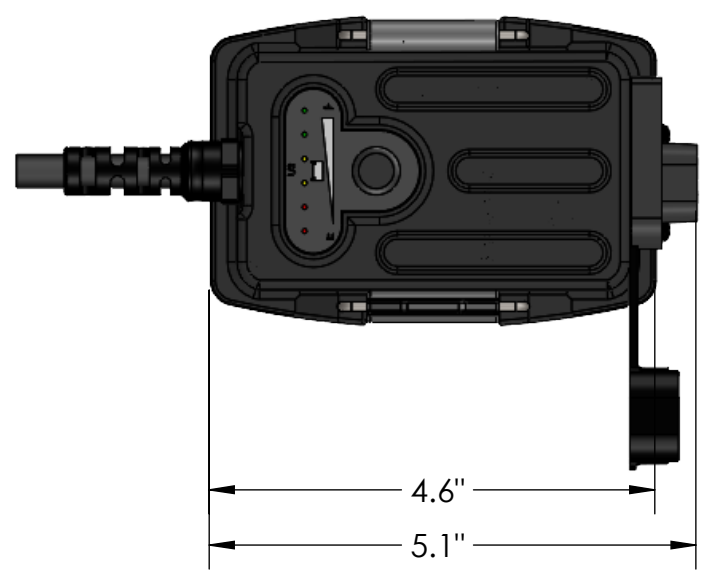
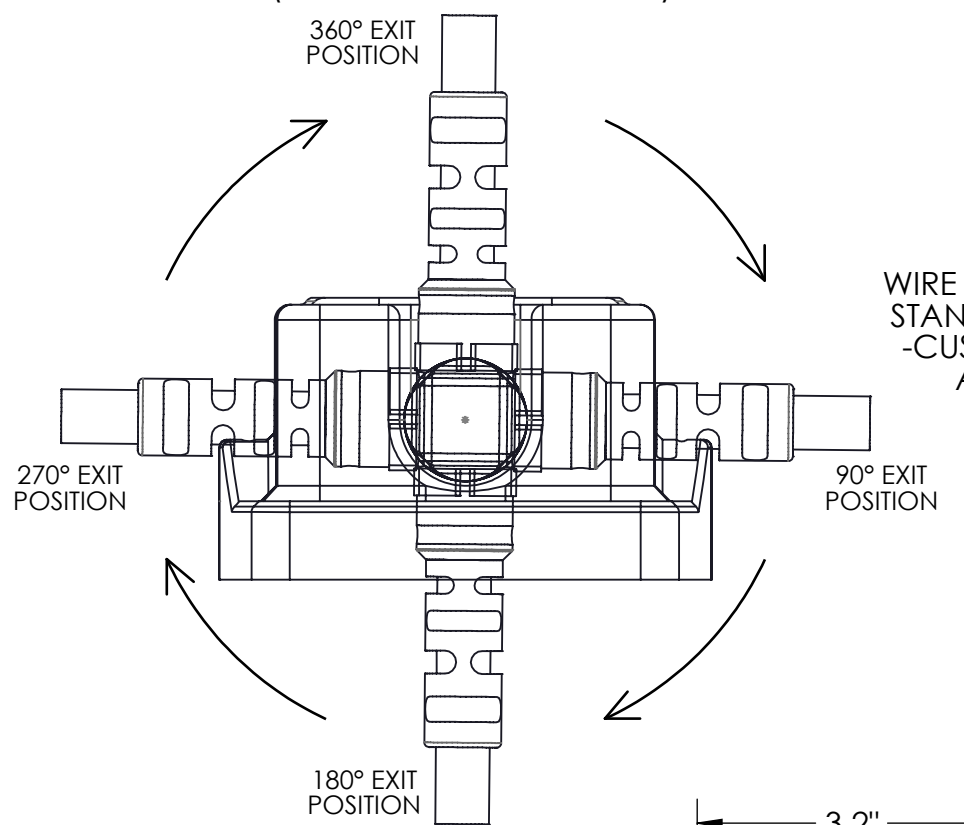
TABLE 1: FEATURE CONFIGURATIONS					
	SMBUS	10 C WIRE	4 C WIRE	SAE CONNECTOR WITH MICRO USB	FRONT ENTRANCE INPUT/OUTPUT
SN-926-AYY-ZZZ	X	X		X	
SN-926-BYY-ZZZ			X	X	
SN-926-CYY-ZZZ	X	X			X
SN-926-DYY-ZZZ			X		X

TABLE 2: VOLTAGE CONFIG.		
	12 VOLT	24 VOLT
SN-926-X12-ZZZ	X	
SN-926-X24-ZZZ		X

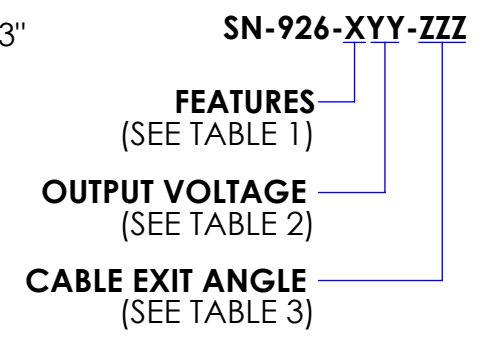
TABLE 3: CABLE EXIT ANGLE	
PART NUMBER	EXIT ANGLE
SN-926-XYX-090D	90°
SN-926-XYX-180D	180°
SN-926-XYX-270D	270°
SN-926-XYX-360D	360°

REV	DATE	DESCRIPTION OF CHANGE	ENG
G	2/3/20	ADDED AMP VALUES TO DESCRIPTION	TC

**CABLE EXIT ANGLE DIAGRAM**  
(FRONT VIEW, SEE TABLE 3)



**PART NUMBER IDENTIFICATION**



UNLESS OTHERWISE SPECIFIED:  
 DIMENSIONS ARE IN: INCHES  
 TOLERANCES: .XX: ± 0.03  
 .XXX: ± 0.005  
 ANGULAR: .X°: 1°  
 .XX°: 0.5°  
 BREAK EDGES: .005 - .020  
 FILLETS: .005 - .020  
 SURFACE FINISH:  
 GEOMETRIC TOLERANCING PER: ASME Y14.5 -2009  
 MATERIAL: SEE DRAWING NOTES  
 FINISH: SEE DRAWING NOTES  
 DO NOT SCALE DRAWING

NAME	DATE
DRAWN: LS	10/18/16
CHECKED: TC	10/18/16
COMMENTS:	

REF. NUMBER: SN0328

**SupplyNet** 706 EXECUTIVE BLVD. SUITE B VALLEY COTTAGE, NY 10989

TITLE: **SN-926-XYX-ZZZ BATTERY COVER (WEB)**

SIZE: <b>B</b>	DWG. NO.: SN-926-XYX-ZZZ	REV: <b>G</b>
SCALE: NA	WEIGHT:	SHEET 1 OF 2

**CAGE CODE: 1HJX9**

TABLE 4: WIRE TABLE			
SN-926-AYY-ZZZ		SN-926-CYY-ZZZ	
WIRE COLOR	TERMINATION	WIRE COLOR	TERMINATION
RED	POWER OUT (+) 12/24VDC	RED	POWER OUT (+) 12/24VDC
BLACK	POWER OUT (-) 12/24VDC	BLACK	POWER OUT (-) 12/24VDC
RED/WHITE	~	RED/WHITE	POWER IN (+) (10.5V-19.5V FOR SN-926-X12, 20V-36V FOR SN-926-X24)
BLACK/WHITE	~	BLACK/WHITE	POWER IN (-) (10.5V-19.5V FOR SN-926-X12, 20V-36V FOR SN-926-X24)
BROWN	CLK (1-4)	BROWN	CLK (1-4)
ORANGE	DATA (1-4)	ORANGE	DATA (1-4)
YELLOW	REF. (1-4)	YELLOW	REF. (1-4)
BLUE	CLK (2-5)	BLUE	CLK (2-5)
VIOLET	DATA (2-5)	VIOLET	DATA (2-5)
GREY	REF. (2-5)	GREY	REF. (2-5)
SAE CONNECTOR	POWER IN (10.5V-19.5V FOR SN-926-X12, 20V-36V FOR SN-926-X24)		
SN-926-BYY-ZZZ		SN-926-DYY-ZZZ	
WIRE COLOR	TERMINATION	WIRE COLOR	TERMINATION
RED	POWER OUT (+) 12/24VDC	RED	POWER OUT (+) 12/24VDC
BLACK	POWER OUT (-) 12/24VDC	BLACK	POWER OUT (-) 12/24VDC
WHITE	~	WHITE	POWER IN (+) (10.5V-19.5V FOR SN-926-X12, 20V-36V FOR SN-926-X24)
GREEN	~	GREEN	POWER IN (-) (10.5V-19.5V FOR SN-926-X12, 20V-36V FOR SN-926-X24)
SAE CONNECTOR	POWER IN (10.5V-19.5V FOR SN-926-X12, 20V-36V FOR SN-926-X24)		

# OPERATIONAL NOTES

- Input Charging Voltage:
  - SN-926-X12-ZZZ: 10.5-19.5 VDC with 2A draw
  - SN-926-X24-ZZZ: 20.0-36.0 VDC with 2A draw
- Output Voltage: 12VDC @10 Amps  
Output Voltage: 24VDC @5 Amps
- Optional Daughter Board allows for 24VDC @ 10 Amps Continuous.
- Input connector: SAE 2 Pin (on SN-926-AYY-ZZZ & SN-926-BYY-ZZZ)
- Input power charges battery and passes power over to load (Battery Not Used)
- State of Charge indicator (while charging)
- Battery Fuel indicator (when on battery power)  
LED's illuminate for 2 seconds when switch is depressed
- On/Off switch to power down circuit during storage (Depress for 5 seconds)
- Unit powers up when external power is applied
- Switchover time < 2ms
- Switchover threshold for 12V models: 9.8V
- Switchover threshold for 24V models: 20V
- Custom switchover voltage thresholds are available
- All SMBus pins populated (on SN-926-AYY-ZZZ & SN-926-CYY-ZZZ)
- Cable length: 72.0" Standard, Custom lengths available
- Wire: AWG 16/AWG 22
- Weight: 12 oz.
- Watertight IP67
- Environmental strap impervious to UV light
- Operating Temperature: -40°C to +60°C
- Rugged design to absorb impact
- Designed for BB-2590 Batteries

REV	DATE	DESCRIPTION OF CHANGE	ENG
H	5/13/2021	CHANGED AMP VALUES, ADDED DAUGHTER BOARD OPTION, REMOVED 5V MICRO USB PORT FROM SAE PORT	MOB

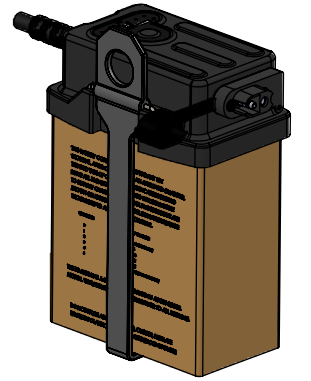
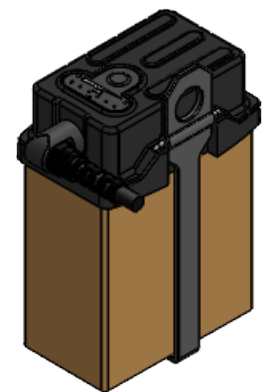
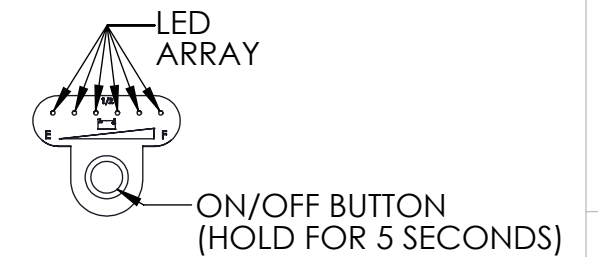
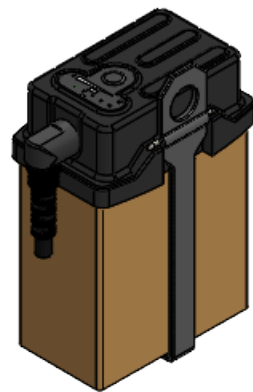


TABLE 5: FUEL GAGE INDICATOR KEY		
LED COLOR	STATUS	
<b>WHILE CHARGING</b>		
BLINKING RED	NO BATTERY OR DEFECTIVE BATTERY	
BLINKING YELLOW	CONDITIONING/BULK CHARGING (0-90%)	
BLINKING GREEN	TOPPING OFF (CHARGE CURRENT BELOW 10%, 3 HOUR DURATION)	
SOLID GREEN	BATTERY CHARGE CYCLE FINISH, 100% CHARGED	
<b>NOT CHARGING</b>		
	<b>12V MODE</b>	<b>24V MODE</b>
6 LED	ABOVE 16.2V	ABOVE 32V
5 LED	ABOVE 15.7V	ABOVE 31.4V
4 LED	ABOVE 15.2V	ABOVE 30.4V
3 LED	ABOVE 14.8V	ABOVE 29.6V
2 LED	ABOVE 14.2V	ABOVE 28.4V
1 LED	ABOVE 14.2V UNTIL DRAINED	ABOVE 28.4V UNTIL DRAINED

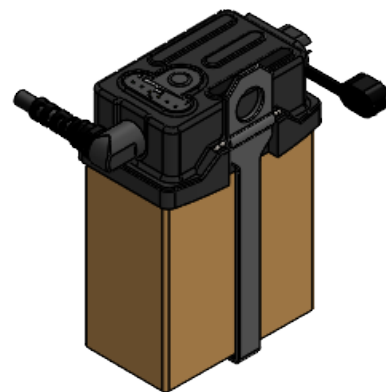
## FUEL GAGE



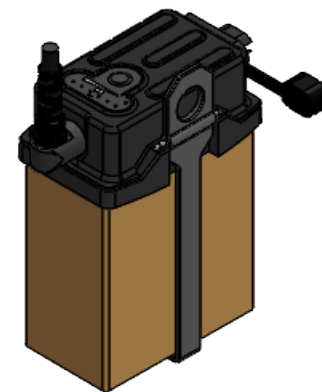
SN-926-C12-090D



SN-926-C12-180D



SN-926-A24-270D



SN-926-A24-360

UNLESS OTHERWISE SPECIFIED:	NAME	DATE
DIMENSIONS ARE IN: INCHES	DRAWN	LS 10/18/16
TOLERANCES: .XX: ± 0.03	CHECKED	TC 10/18/16
.XXX: ± 0.005	COMMENTS:	
ANGULAR: .X°: ]°		
.XX*: 0.5°		
BREAK EDGES: .005 - .020		
FILLET: .005 - .020		
SURFACE FINISH:		
GEOMETRIC TOLERANCING PER: ASME Y14.5 -2009	<b>PROPRIETARY AND CONFIDENTIAL</b>	
MATERIAL: SEE DRAWING NOTES	THE INFORMATION CONTAINED IN THIS DRAWING IS THE SOLE PROPERTY OF SUPPLYNET, INC. ANY REPRODUCTION IN PART OR AS A WHOLE WITHOUT THE WRITTEN PERMISSION OF SUPPLYNET INC. IS PROHIBITED.	
FINISH: SEE DRAWING NOTES		
DO NOT SCALE DRAWING	<b>CAGE CODE: 1HJX9</b>	

REF. NUMBER: SN0328		
<b>SupplyNet</b> 706 EXECUTIVE BLVD. SUITE B VALLEY COTTAGE, NY 10989		
TITLE: <b>SN-926-XYX-ZZZ BATTERY COVER (WEB)</b>		
SIZE <b>B</b>	DWG. NO. SN-926-XYX-ZZZ	REV <b>H</b>
SCALE: NA	WEIGHT:	SHEET 2 OF 2