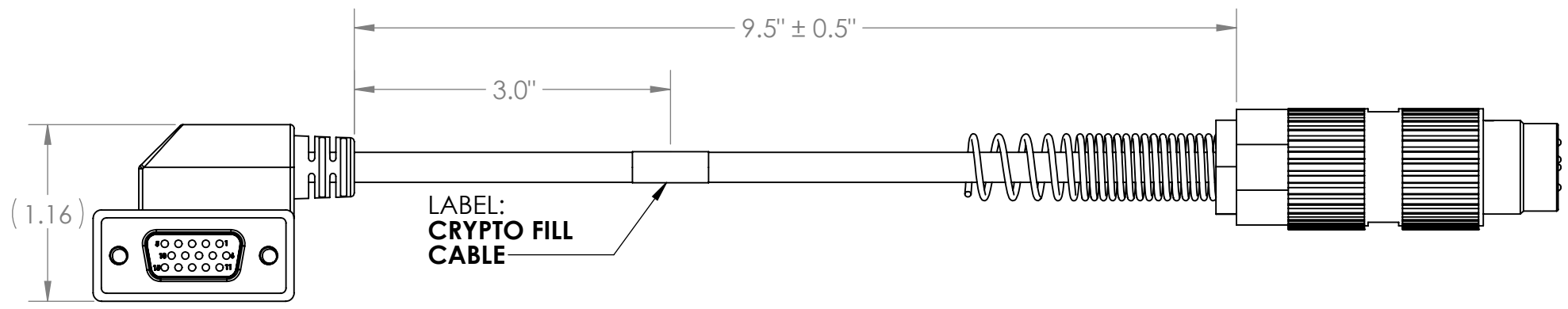
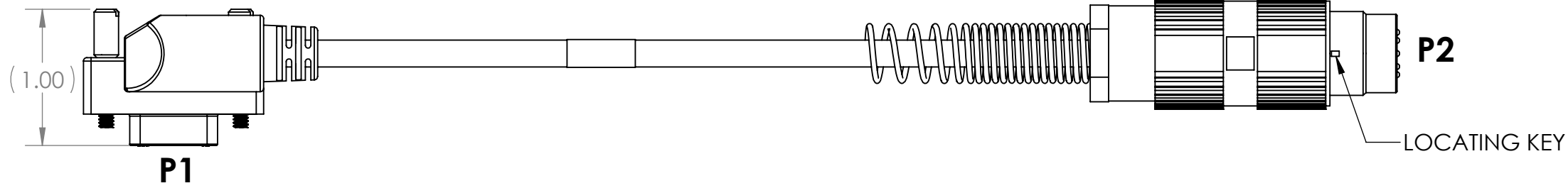
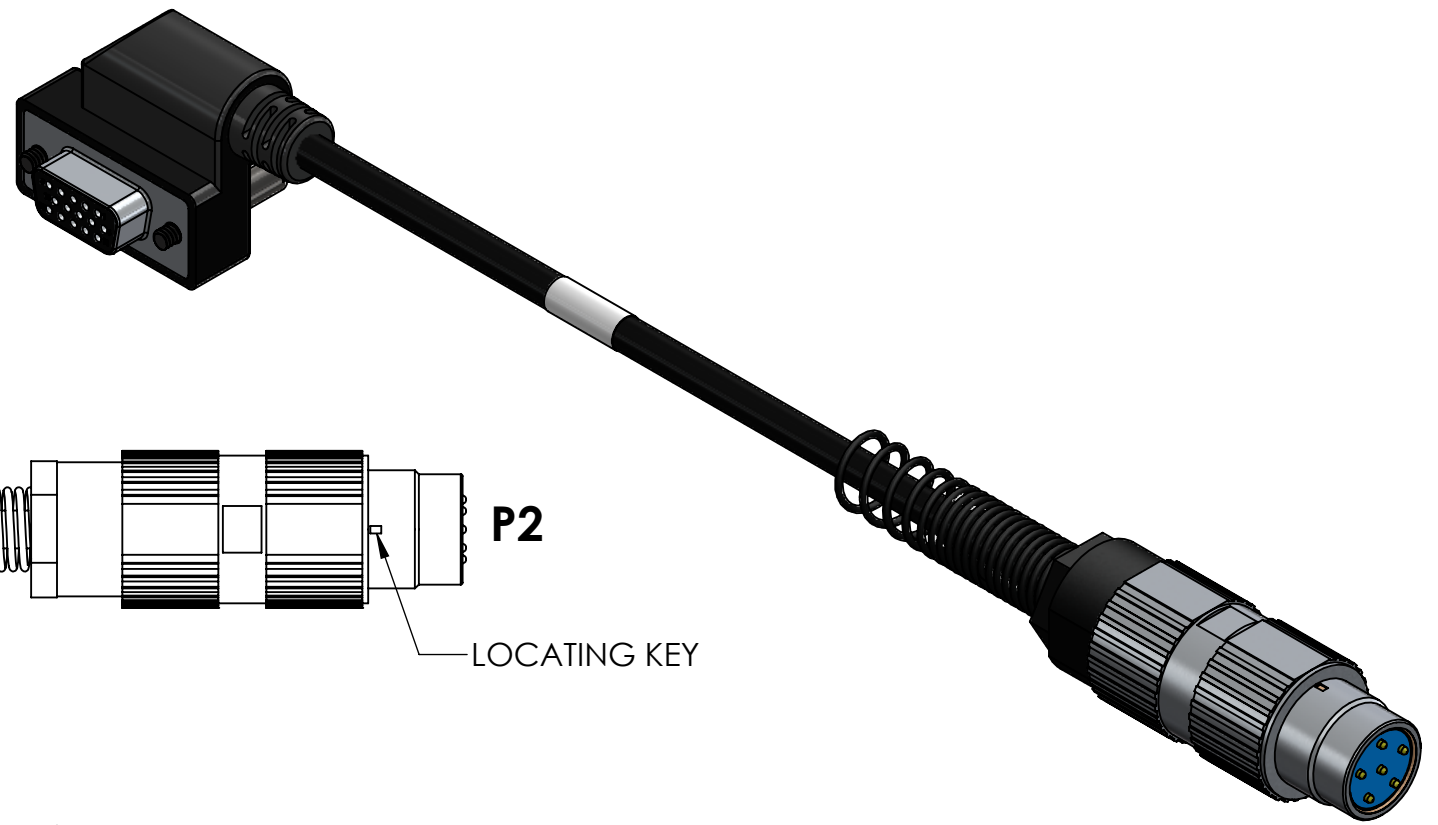
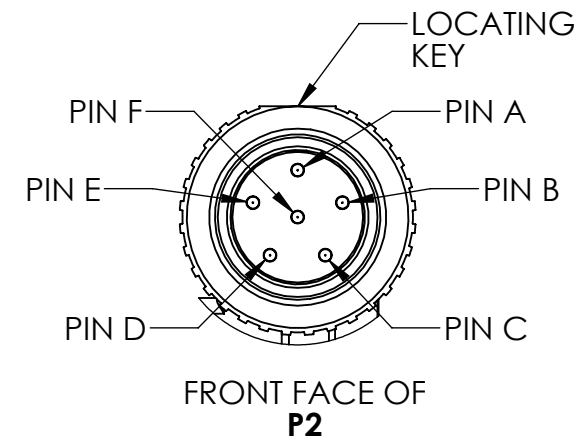
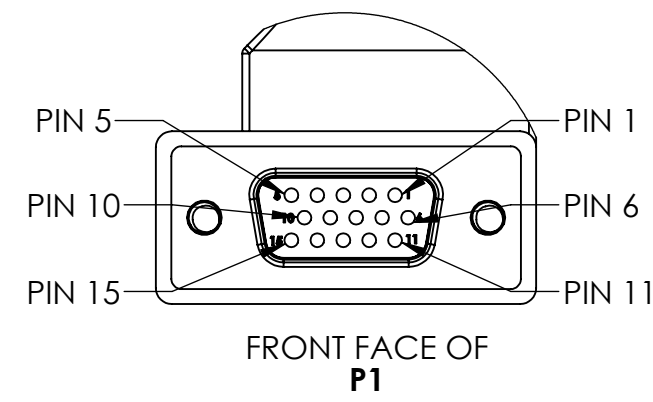


REV	DATE	DESCRIPTION OF CHANGE	ENG
A	11/14/17	INITIAL RELEASE (WEB)	LS



EQUIVALENT TO ROCKWELL COLLINS
#987-5180-001



UNLESS OTHERWISE SPECIFIED:
 DIMENSIONS ARE IN: INCHES
 TOLERANCES: .XX: ± 0.03
 .XXX: ± 0.005
 ANGULAR: .X°: 1°
 .XX°: 0.5°
 BREAK EDGES: .005 - .020
 FILLETS: .005 - .020
 SURFACE FINISH:
 GEOMETRIC TOLERANCING
 PER: ASME Y14.5 -2009
 MATERIAL: SEE DRAWING NOTES
 FINISH: SEE DRAWING NOTES
 DO NOT SCALE DRAWING

NAME	DATE
LS	1/30/17
RB	1/30/17
COMMENTS:	
PROPRIETARY AND CONFIDENTIAL THE INFORMATION CONTAINED IN THIS DRAWING IS THE SOLE PROPERTY OF SUPPLYNET, INC. ANY REPRODUCTION IN PART OR AS A WHOLE WITHOUT THE WRITTEN PERMISSION OF SUPPLYNET INC. IS PROHIBITED.	
CAGE CODE: 1HJX9	

REF. NUMBER: SN0454	
706 EXECUTIVE BLVD. SUITE B VALLEY COTTAGE, NY 10989	
TITLE: HD15 RIGHT ANGLE 3 O'CLOCK POSITION TO U-328/U	
SIZE B	DWG. NO. SN-987-5180-001
REV A	
SCALE: NA	WEIGHT:
SHEET 1 OF 1	