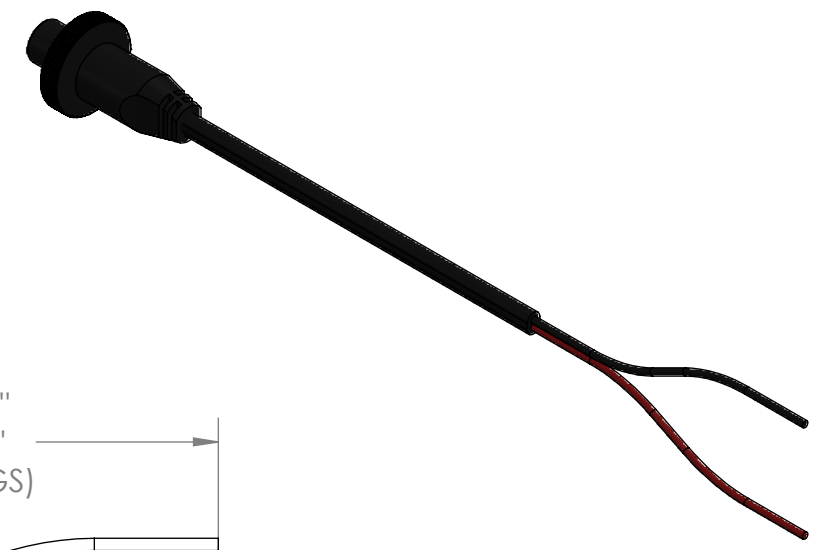
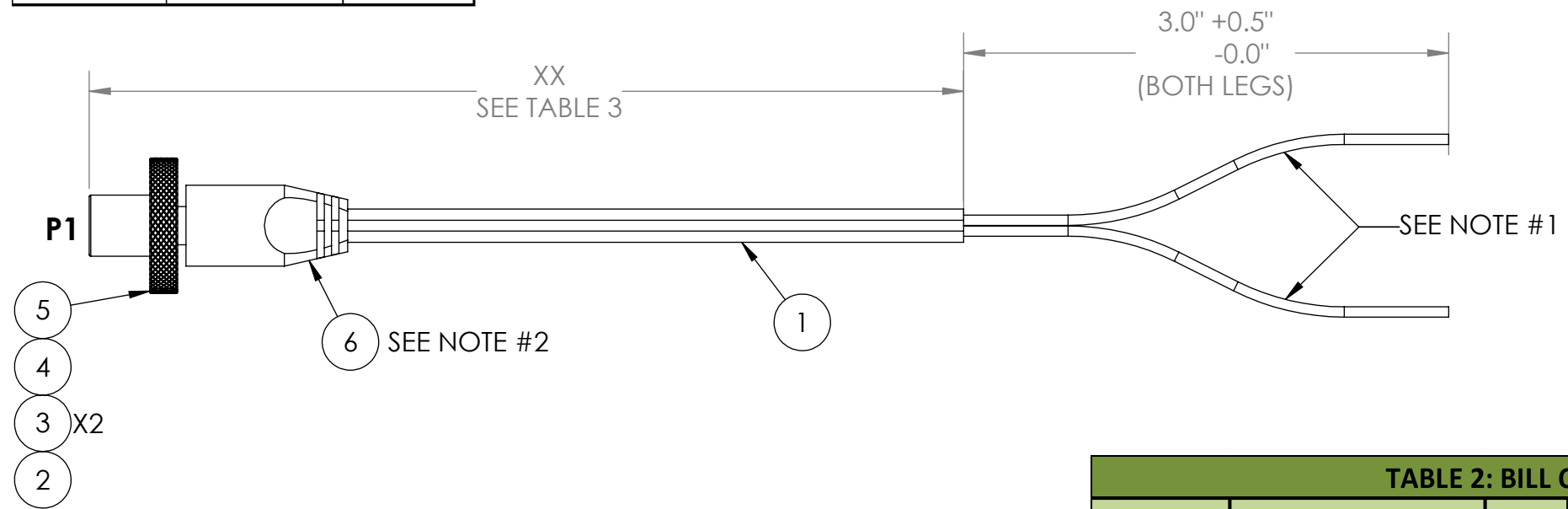
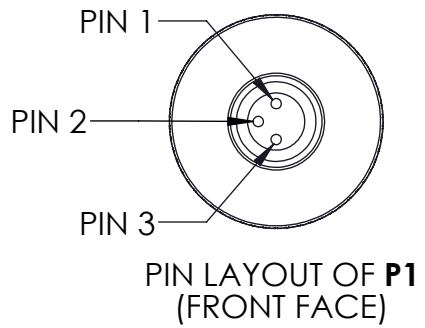


| TABLE 1: WIRING | |
|-----------------|-------------|
| P1 | WIRE COLORS |
| 1 | BLACK |
| 3 | RED |

| TABLE 3: WIRE LENGTH TABLE | | |
|----------------------------|----------------------|--------------------|
| "-XX" FROM P/N | "XX" DIMENSION (FT.) | TOLERANCE (INCHES) |
| 0.5 | 0.5' | ± 0.5" |
| 01 | 1' | ± 0.5" |
| 02 | 2' | ± 1.0" |
| 03 | 3' | ± 2.0" |
| 05 | 5' | ± 3.0" |
| 06 | 6' | ± 3.0" |
| 12 | 12' | ± 5.0" |
| 14 | 14' | ± 5.5" |
| 16 | 16' | ± 5.0" |
| 20 | 20' | ± 5.0" |
| 25 | 25' | ± 6.0" |

| REV | DATE | DESCRIPTION OF CHANGE | ENG |
|-----|-----------|--|-----|
| B | 8/13/2019 | UPDATED LENGHT TO CHART, CHANGED PIN OUT DIAGRAM | TC |



| TABLE 2: BILL OF MATERIALS | | | |
|----------------------------|--------------|-----|----------------------------------|
| ITEM NO. | PART NO | QTY | NAME/DESCRIPTION |
| 1 | 0429-2-18 | 14" | 2 COND., 20AWG, FLAT, BLK PU JKT |
| 2 | 0429-1-01 | 1 | INSULATOR |
| 3 | 0429-1-PIN | 2 | PIN |
| 4 | 0429-1-NUT | 1 | SPINNER M8 X 1.0 |
| 5 | 0429-1-OR | 1 | O-RING |
| 6 | 0429-OM-COAX | 1 | BLACK OVER-MOLD |

- NOTES:**
- STRIP JACKET 3.0"
 - BLACK OVER-MOLD ON P1 CONNECTOR
 - BUILD TO IPC/WHMA-A-620 STANDARDS OR MOST CURRENT VERSION
 - PLACE IN BAG AND LABEL WITH THE FOLLOWING INFORMATION:
 - P/N:** SN-987-SUB-XX
 - Cage Code:** 1HJX9
 - MFD:** MM/YY

| | | | | | |
|---|--|---|----------------------|--|---|
| UNLESS OTHERWISE SPECIFIED: | | NAME | DATE | 706 EXECUTIVE BLVD. SUITE B VALLEY COTTAGE, NY 10989 | |
| DIMENSIONS ARE IN: INCHES | | DRAWN | LS | | 3/26/2019 |
| TOLERANCES: .XX: ± 0.03 | | CHECKED | RB | 3/26/2019 | TITLE: |
| .XXX: ± 0.005 | | COMMENTS: | | | DAGR POWER CABLE FLYING LEADS ASSY., 13" |
| ANGULAR: .X°: 1° | | PROPRIETARY AND CONFIDENTIAL THE INFORMATION CONTAINED IN THIS DRAWING IS THE SOLE PROPERTY OF SUPPLYNET, INC. ANY REPRODUCTION IN PART OR AS A WHOLE WITHOUT THE WRITTEN PERMISSION OF SUPPLYNET INC. IS PROHIBITED. | | | |
| BREAK EDGES: .005 - .020 | | SIZE | DWG. NO. | REV | |
| FILLET: .005 - .020 | | B | SN-987-SUB-XX | B | |
| SURFACE FINISH: | | SCALE: NA | WEIGHT: | SHEET 1 OF 1 | |
| GEOMETRIC TOLERANCING PER: ASME Y14.5 -2009 | | CAGE CODE: 1HJX9 | | | |
| MATERIAL: SEE DRAWING NOTES | | | | | |
| FINISH: SEE DRAWING NOTES | | | | | |
| DO NOT SCALE DRAWING | | | | | |