

TABLE 1: WIRE RUN LIST		
P1 HD15	WIRE COLOR	SIGNAL
1	RED COAX	1PPS_IN
2	RED COAX SHIELD	1PPS_IN_RTN
3	BROWN	GND
4	YELLOW	COM2_XMTB
5	YELLOW/WHITE	COM2_XMTA
6	BLUE COAX	PPS_OUT_COM1
7	BROWN/WHITE	HQ_TXM
8	YELLOW	EXT_ONF
9	BLACK	COM2_RCVB
10	BLACK/WHITE	COM2_RCVA
11	BLUE COAX SHIELD	PPS_OUT_RTN
12	BROWN	RESERVED
13	ORANGE	RESERVED
14	BLACK	COM1_XMT
15	RED	COM1_RCV
SHELL	SHIELD	

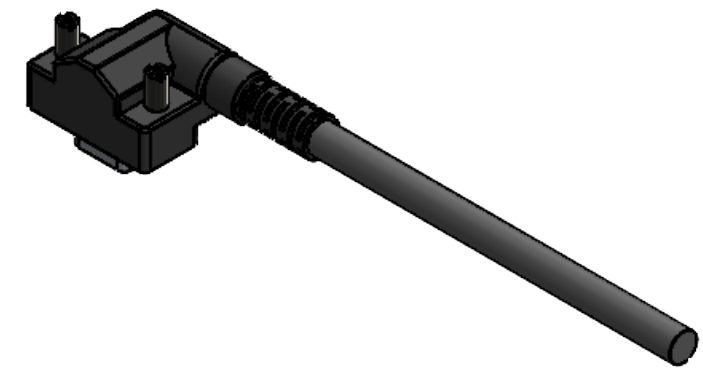
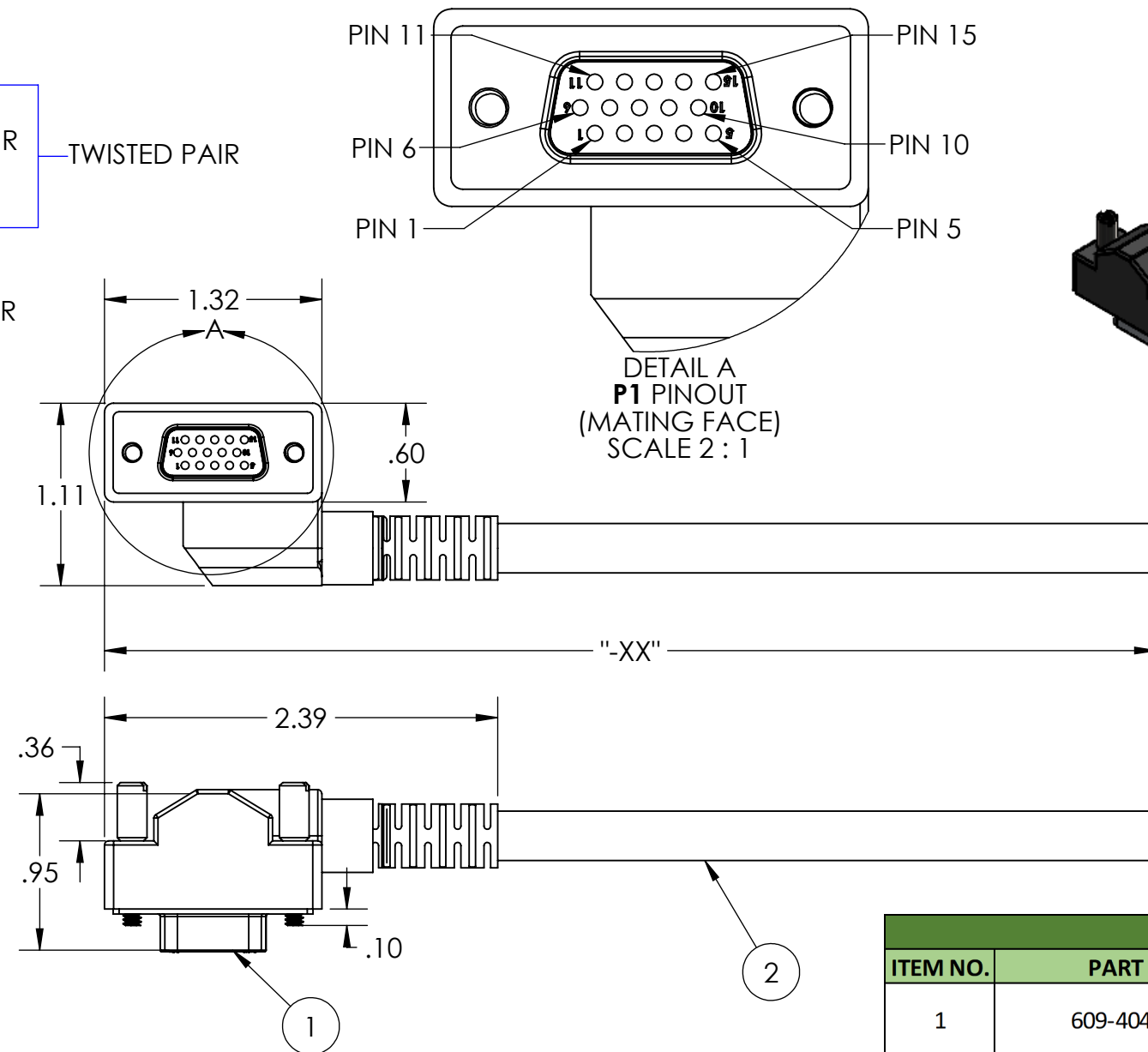
*JUMP PINS 3 AND 13.

TABLE 2: WIRE LENGTH TABLE		
"-XX" FROM P/N	"XX" DIMENSION (FT.)	TOLERANCE (IN.)
01	1	+1.0 / -0.0
02	2	+2.0 / -0.0
03	3	+2.0 / -0.0
04	4	+2.0 / -0.0
05	5	+2.0 / -0.0
06	6	+4.0 / -0.0
10	10	+4.0 / -0.0
12	12	+6.0 / -0.0
15	15	+6.0 / -0.0
16	16	+6.0 / -0.0
20	20	+6.0 / -0.0

NOTES:

- WIRE FUNCTION: SEE TABLE 1 WIRE RUN LIST.
- CABLE LENGTH: SEE TABLE 2 WIRE LENGTH TABLE, "-XX" PER PO.
- ASSEMBLY TO BE 100% TESTED FOR CONTINUITY, SHORTS, AND JACKET RESISTANCE.
- SOLDERING: IAW IPC-J-STD-001 CLASS II AS APPLICABLE.
- IDENTIFICATION: BAG AND IDENTIFY ON PACKAGING THE FOLLOWING INFORMATION FOR EACH PART DELIVERED. PART MARKING ON THE WIRE IS PROHIBITED.
PN: SN-C7006B0092-XX REV. X ("-XX" & REV. "X" AS PER PO.)
CAGE CODE: 1HJX9
MFD: MM/YY
- REFERENCE SUPPLYNET FILE NUMBER SN0783.
- MANUFACTURE AND INSPECT IAW IPC/WHMA A-620 CLASS 2.

REVISIONS			
REV.	DESCRIPTION	DATE	ENG
A	INITIAL REV.	1/27/2021	MOB



BILL OF MATERIALS			
ITEM NO.	PART NO.	QTY	NAME/DESCRIPTION
1	609-4045-ND	1	HD15F W/ OVER-MOLD
2	TBD	AR	CABLE: 13C, 3 TWISTED PAIRS, 2 50 OHM COAX, 28 AWG, TPU JACKET, SHIELDED, OD: 0.3in

UNLESS OTHERWISE SPECIFIED:
 DIMENSIONS ARE IN: INCHES
 TOLERANCES: .XX: ± 0.03
 .XXX: ± 0.005
 ANGULAR: .X°: 1°
 .XX°: 0.5°
 BREAK EDGES: .005 - .020
 FILLETS: .005 - .020
 SURFACE FINISH:
 GEOMETRIC TOLERANCING PER: ASME Y14.5-2009
 MATERIAL: SEE DRAWING NOTES
 FINISH: SEE DRAWING NOTES
 DO NOT SCALE DRAWING

NAME	DATE
DRAWN: MOB	1/27/2021
CHECKED: RB	1/27/2021
COMMENTS:	

REF. NUMBER: SN0783

SupplyNet 706 EXECUTIVE BLVD.
SUITE B
VALLEY COTTAGE, NY 10989

TITLE:
**DAGR J2, HD15F, CABLE,
ALL SIGNALS WIRED,
UNTERMINATED**

SIZE: B	DWG. NO.: SN-C7006B0092-XX	REV: A
----------------	-----------------------------------	---------------

CAGE CODE: 1HJX9

SCALE: NA WEIGHT: SHEET 1 OF 1