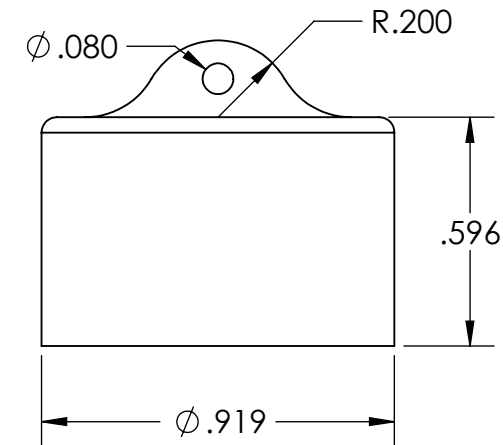
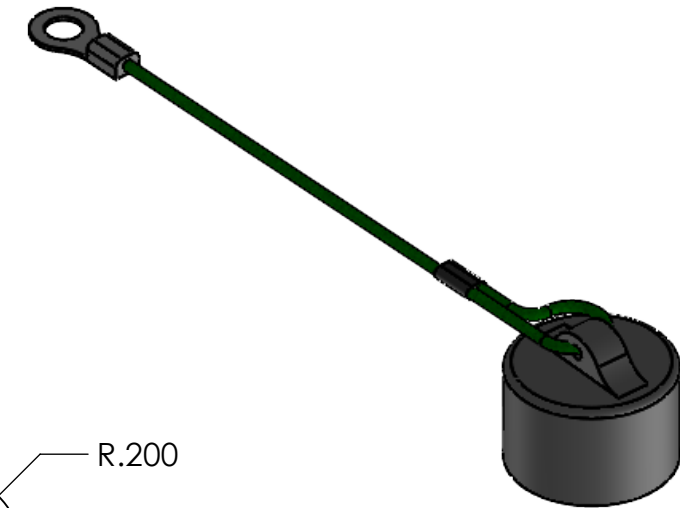
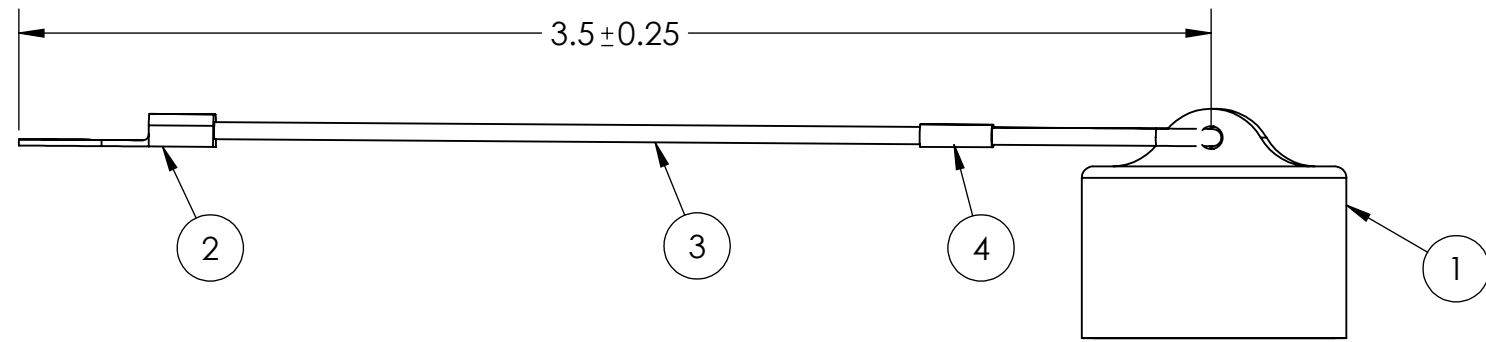


REVISIONS			
REV.	DESCRIPTION	DATE	ENG
A	APPROVED.	10/29/2021	MOB



BILL OF MATERIALS			
ITEM NO.	PART NO.	QTY	NAME/DESCRIPTION
1	SN0409	1	BA5590/BB2590 DUST CAP
2	SN0409-1	1	LANYARD RING
3	TBD	1	LANYARD NYLON CORD
4	TBD	1	LANYARD CLIPS

- **MATERIAL:** SILICONE
 - **RESISTANT TO:** OILS, BRAKE FLUIDS, HOT & COLD WATER, SALT WATER, CHLORINATED HYDROCARBONS, FIRE RESISTANT HYDRAULIC FLUIDS, & SOME ACIDS,
 - **TEMPERATURE RANGE:** -55°C (67°F) TO 250°C (482°F)
- **HARDNESS:** TBD
- **COLOR:**
 - **SN0409:** BLACK
 - **NYLON LANYARD:** OD GREEN OR EQUIV.
 - **SN0409-1:** NATURAL (UNPAINTED)

UNLESS OTHERWISE SPECIFIED:
 DIMENSIONS ARE IN: INCHES
 TOLERANCES: .XX: ± 0.03
 .XXX: ± 0.005
 ANGULAR: .X°: 1°
 .XX°: 0.5°
 BREAK EDGES: .005 - .020
 FILLETS: .005 - .020
 SURFACE FINISH:
 GEOMETRIC TOLERANCING
 PER: ASME Y14.5 -2009
 MATERIAL: SEE DRAWING NOTES
 FINISH: SEE DRAWING NOTES
 DO NOT SCALE DRAWING

	NAME	DATE
DRAWN	MOB	10/14/21
CHECKED	RB	10/14/21
COMMENTS:		

PROPRIETARY AND CONFIDENTIAL
 THE INFORMATION CONTAINED IN THIS DRAWING IS THE SOLE PROPERTY OF SUPPLYNET, INC. ANY REPRODUCTION IN PART OR AS A WHOLE WITHOUT THE WRITTEN PERMISSION OF SUPPLYNET INC. IS PROHIBITED.

CAGE CODE: 1HJX9

REF. NUMBER: SN0866

SupplyNet 706 EXECUTIVE BLVD.
 SUITE 8
 VALLEY COTTAGE, NY 10989

TITLE: BA5590/BB2590
 CONNECTOR
 DUST COVER
 WITH LANYARD

SIZE	DWG. NO.	REV
B	SN0409	A

SCALE: NA WEIGHT: SHEET 1 OF 1