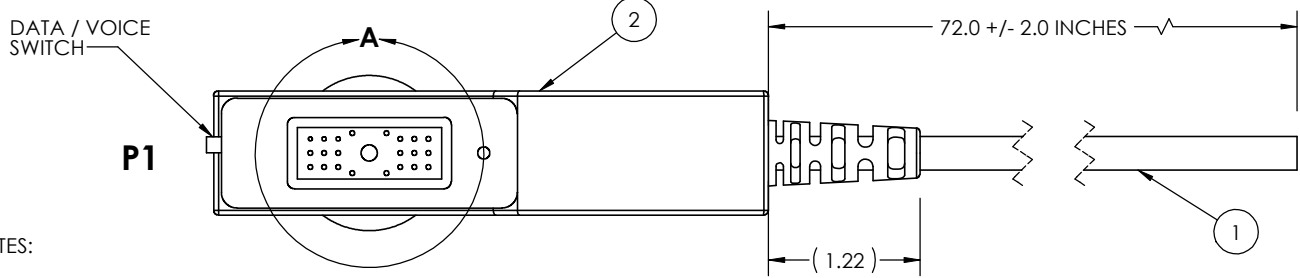
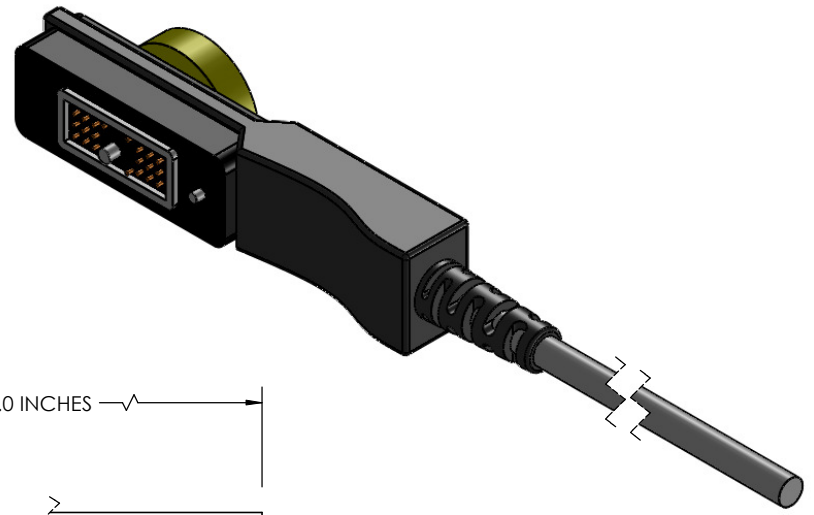
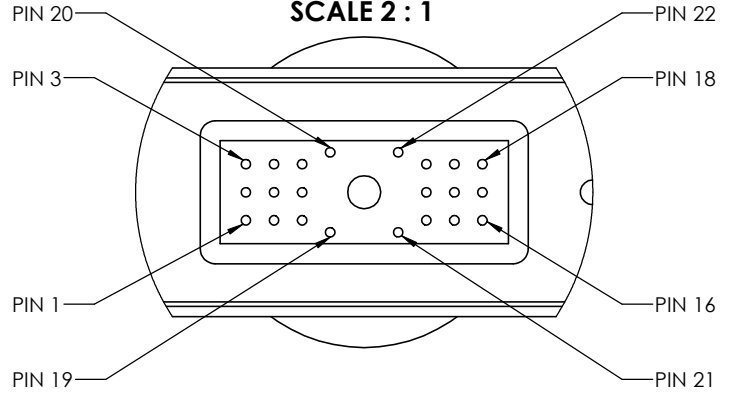


REV	DATE	DESCRIPTION OF CHANGE	ENG
G	09/25/13	REVISED. SEE DCN SN0141H	RJB

**DETAIL A
SCALE 2 : 1**



NOTES:

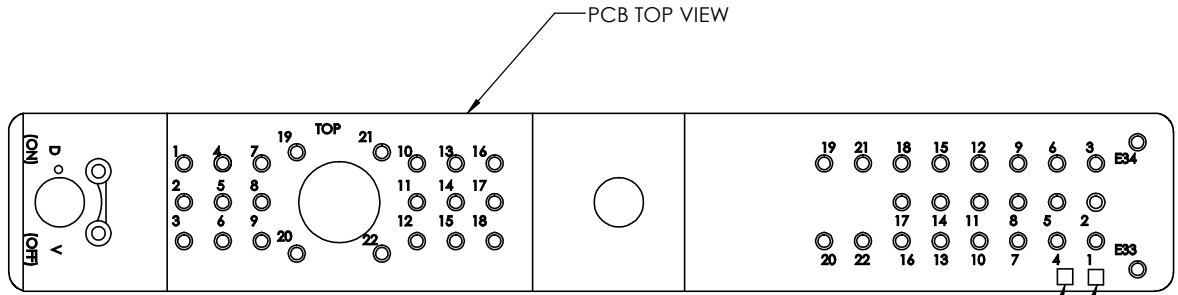
- CABLE: ITEM 1 26 AWG, 19 CONDUCTOR, OD: 0.270 NOMINAL. POLYURETHANE INSULATION. OUTER SHIELD 38 AWG, TIN PLATED COPPER BRAID, 90% COVERAGE.
- OVERMOLD MATERIAL: 90A POLYETHER-TYPE THERMOPLASTIC POLYURETHANE (TPU).
- JACKET: BLACK MATTE FINISH.
- E33,E34 IS CHASSIS GROUND
- SOLDERING IAW IPC-J-STD-001 CLASS II AS APPLICABLE.
- CABLE ASSEMBLIES TO BE 100% TESTED FOR CONTINUITY, SHORTS AND INSULATION RESISTANCE (250V @ 100MOHM MINIMUM)
- IDENTIFICATION: BAG AND IDENTIFY ON PACKAGING THE FOLLOWING INFORMATION FOR EACH PART DELIVERED. UOS PART MARKING ON THE WIRE IS PROHIBITED:
PN: TE-22K2-06 REV X (REV MARKING PER PO)
CAGE CODE: 1HJX9
DATE OF MFRG: MM/YY
- WIRING FUNCTION: SEE SHEET 2 TABLE 1 AND DRAWING SN0052.
- REFERENCE SUPPLYNET FILE NUMBER SN0141.
- MANUFACTURE AND INSPECT IAW IPC/WHMA A-620 CLASS 2.
- UNUSED WIRES SHALL BE CAPPED AND STOWED.
- PIN 1 ON PCB CONNECTED TO "D", AND PIN 14 ON PCB CONNECTED TO "V".
- SWITCH PROVIDED IN TE-22K-ASSY SHALL BE INSTALLED INTO THE HOUSING AND SOLDERED TO LOCATIONS "D" AND "V" ON THE PCB. SEE SHEET 2 AND 3 FOR CONNECTING INFORMATION. DO NOT CROSS WIRES. CONNECTIONS ARE MADE STRAIGHT TO PCB.
- INSTALL ITEM 4 (2.4 K OHM) SURFACE MOUNT RESISTOR BETWEEN THESE PADS. RESISTOR CREATES A 2.4 KOHM RESISTANCE BETWEEN PINS 1 AND 5 ON P1.
- AXIAL LEAD RESISTOR MAY BE SUBSTITUTED FOR ITEM 4. CONNECTION MUST STILL BE BETWEEN PINS 1 AND 5 AND MUST ME THE TOLERANCE REQUIREMENT OF ITEM 4 (+/- 1%). REF PN: RNMF14FTC2K40 (STACKPOLE).

BILL OF MATERIALS				
ITEM NO.	PART NUMBER	QTY	NAME	COMMENTS
1	51234	74"	CABLE	19C CABLE
2	TE-22K-ASSY	1	CONNECTOR ASSEMBLY	INCLUDES HOUSING, FASTENERS, PCB, THUMBWHEEL & SWITCH. PROVIDED BY SUPPLYNET
3	24-7068-7601	AR	SOLDER, LEAD FREE	KESTER
4	ERI-3EKF2401V	1	2.4 KOHM RESISTOR	PANASONIC (SEE NOTES 14 & 15)

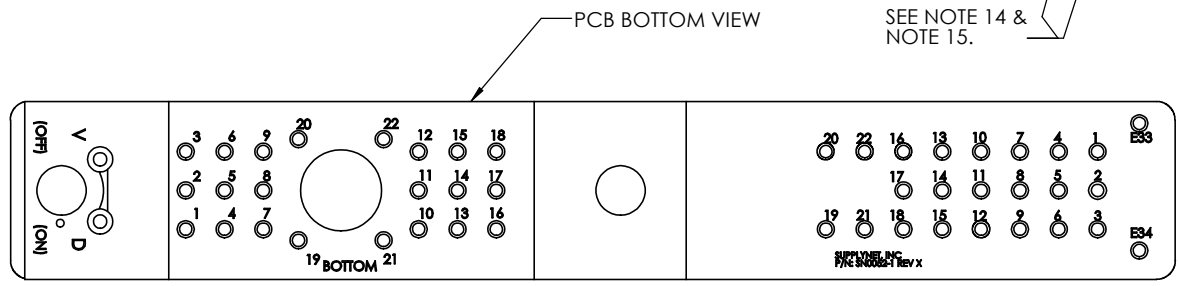
UNLESS OTHERWISE SPECIFIED:		PART NUMBER: TE-22K2-06	
DIMENSIONS ARE IN: INCHES	DRAWN: RJB	DATE: 04/02/13	SupplyNet 614 CORPORATE WAY SUITE 8M VALLEY COTTAGE, NY 10989
TOLERANCES: .XX: ± 0.03 .XXX: ± 0.005	CHECKED: RJB	DATE: 04/02/16	
ANGULAR: .XX*: ± 0.5*	COMMENTS:		TITLE: AN/PRC-148 / JEM 22 PIN DATA CONNECTOR, 2.4K OHM WITH SWITCH, UNTERMINATED.
BREAK EDGES: .005 - .020	PROPRIETARY AND CONFIDENTIAL THE INFORMATION CONTAINED IN THIS DRAWING IS THE SOLE PROPERTY OF SUPPLYNET, INC. ANY REPRODUCTION IN PART OR AS A WHOLE WITHOUT THE WRITTEN PERMISSION OF SUPPLYNET INC. IS PROHIBITED.		SIZE: B
FILLETS: .005 - .020	CAGE CODE: 1HJX9		DWG. NO.: TE-22K2-06
SURFACE FINISH:	SCALE: NA		REV: G
GEOMETRIC TOLERANCING PER: ASME Y14.5-2009	WEIGHT:		SHEET 1 OF 3
MATERIAL: SEE DRAWING NOTES	DO NOT SCALE DRAWING		
FINISH: SEE DRAWING NOTES			

TABLE 1. WIRE RUN LIST	
P1 PIN NUMBER	ITEM 1 (12C WIRE COLOR)
1	DARK BLUE **
6	LIGHT GREEN *
8	BLUE
10	BROWN
11	GRAY
12	PURPLE
13	RED
14	LIGHT BLUE *
15	YELLOW
16	DARK ORANGE **
17	PINK
18	TAN
21	GREEN
22	WHITE
E33 CHASSIS GROUND	BRAIDED SHIELDED
* OPTIONAL WHITE BAND FOR CLARITY	
** OPTIONAL BLACK BAND FOR CLARITY	

— TWISTED PAIR

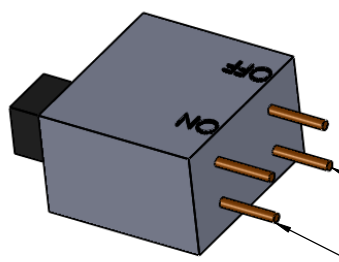


PCB TOP VIEW



PCB BOTTOM VIEW

SEE NOTE 14 & NOTE 15.



THIS PIN CONNECTED TO "V" PCB LOCATION

THIS PIN CONNECTED TO "D" PCB LOCATION

PROPRIETARY AND CONFIDENTIAL
 THE INFORMATION CONTAINED IN THIS DRAWING IS THE SOLE PROPERTY OF SUPPLYNET, INC. ANY REPRODUCTION IN PART OR AS A WHOLE WITHOUT THE WRITTEN PERMISSION OF SUPPLYNET INC. IS PROHIBITED.

PART NUMBER: TE-22K2-06		
SupplyNet 614 CORPORATE WAY SUITE 8H VALLEY COTTAGE, NY 10989		
TITLE: AN/PRC-148 / JEM 22 PIN DATA CONNECTOR, 2.4K OHM WITH SWITCH, UNTERMINATED.		
SIZE B	DWG. NO. TE-22K2-06	REV G
CAGE CODE: 1HJX9	SCALE: NA	WEIGHT: SHEET 2 OF 3

8 7 6 5 4 3 2 1

D

D

C

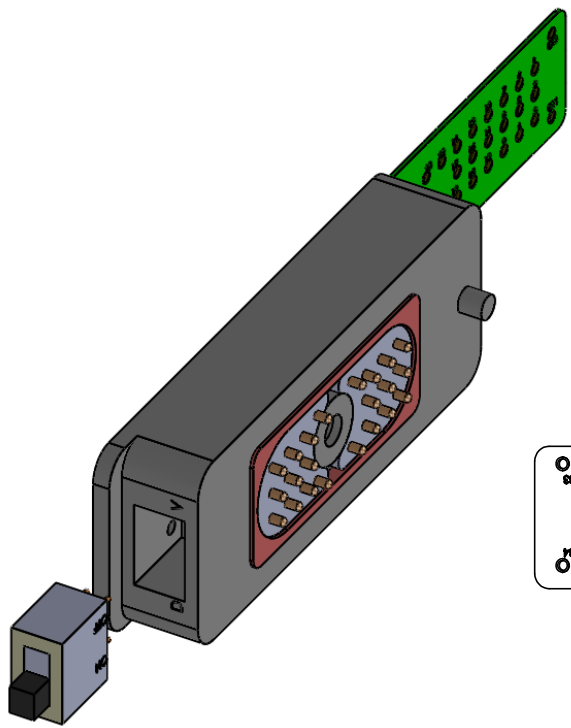
C

B

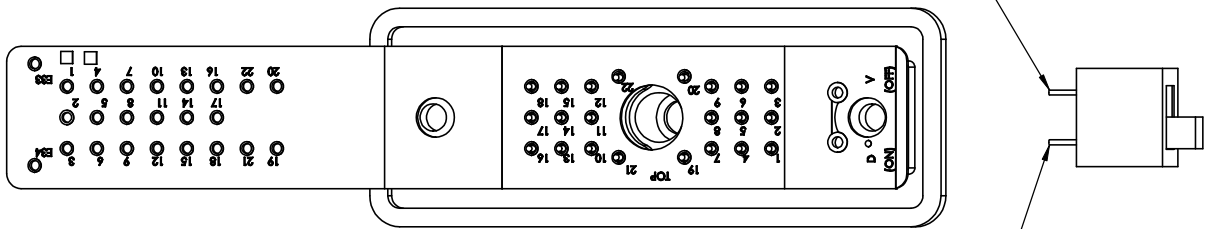
B

A

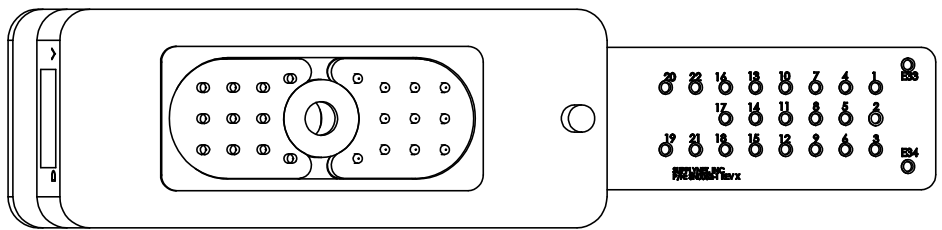
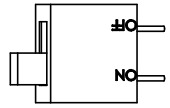
A



THIS PIN WIRED TO "V" LOCATION ON PCB



THIS PIN WIRED TO "D" LOCATION ON PCB



PROPRIETARY AND CONFIDENTIAL
 THE INFORMATION CONTAINED IN THIS DRAWING IS THE SOLE PROPERTY OF SUPPLYNET, INC. ANY REPRODUCTION IN PART OR AS A WHOLE WITHOUT THE WRITTEN PERMISSION OF SUPPLYNET INC. IS PROHIBITED.

PART NUMBER: TE-22K2-06		
SupplyNet 614 CORPORATE WAY SUITE 8M VALLEY COTTAGE, NY 10989		
TITLE: AN/PRC-148 / JEM 22 PIN DATA CONNECTOR, 2.4K OHM WITH SWITCH, UNTERMINATED.		
SIZE B	DWG. NO. TE-22K2-06	REV G
CAGE CODE: 1HJX9	SCALE: NA	WEIGHT: SHEET 3 OF 3

8 7 6 5 4 3 2 1