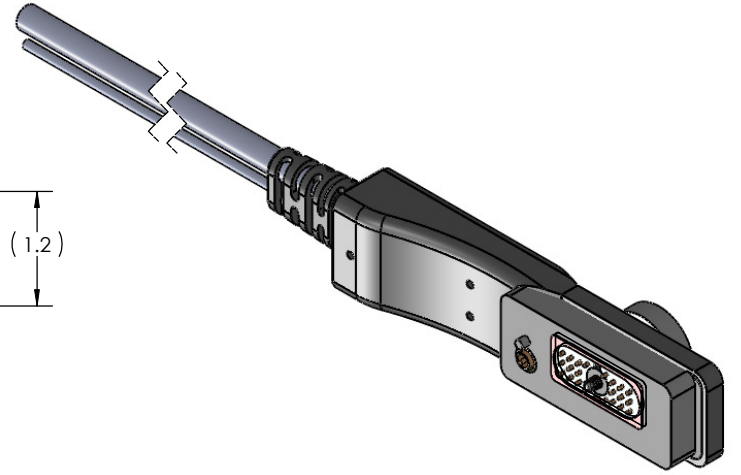
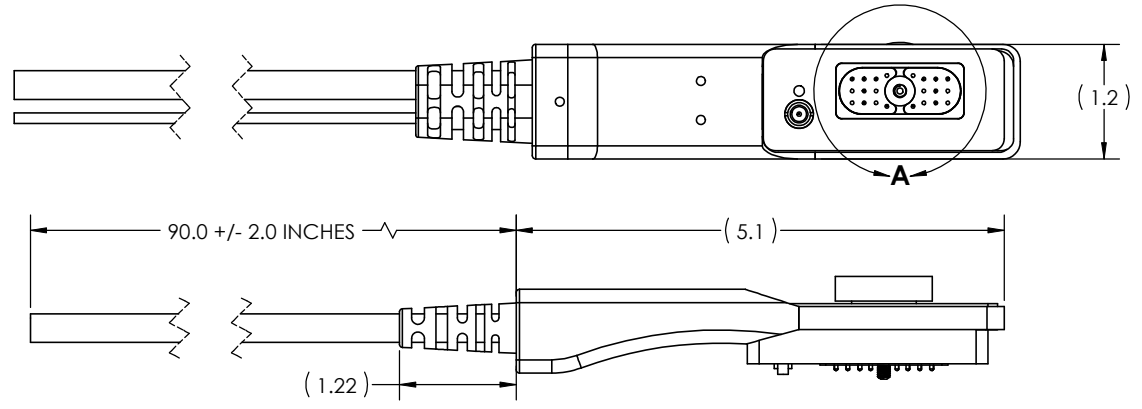
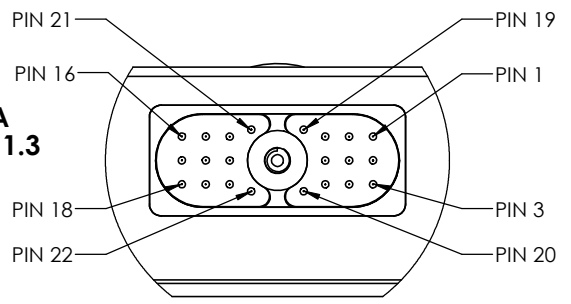



REV	DATE	DESCRIPTION OF CHANGE	ENG
C	11/05/13	REVISED. SEE DCN SN0146B	RJB

**DETAIL A**  
**SCALE 2 : 1.3**



**NOTES:**

- OVERMOLD MATERIAL: MIL GRADE PLU-BLACK.
- JACKET: BLACK MATTE FINISH.
- E33,E34 IS CHASSIS GROUND
- SOLDERING IAW IPC-J-STD-001CLASS II AS APPLICABLE.
- CABLE ASSEMBLIES TO BE 100% TESTED FOR CONTINUITY, SHORTS AND INSULATION RESISTANCE (250V @100MOHM MINIMUM)
- IDENTIFICATION: BAG AND IDENTIFY ON PACKAGING THE FOLLOWING INFORMATION FOR EACH PART DELIVERED. UOS PART MARKING ON THE WIRE IS PROHIBITED:  
**PN: TE-22X-RF-06 REV X (REV MARKING PER PO)**  
**CAGE CODE: 1HJX9**  
**DATE OF MFG: MM/YY**
- WIRING FUNCTION: SEE SHEET 2.
- REFERENCE SUPPLYNET FILE NUMBER SN0146.
- CONNECT WIRES PER TABLE 1. (SHEET 2)
- MANUFACTURE AND INSPECT IAW IPC/WHMA A-620 CLASS 2.
- NSN: TBD.

UNLESS OTHERWISE SPECIFIED:		NAME		DATE		PART NUMBER: TE-22X-RF-06	
DIMENSIONS ARE IN: INCHES		DRAWN	RJB	07/31/13		 614 CORPORATE WAY SUITE 8H VALLEY COTTAGE, NY 10989	
TOLERANCES: .XX: ± 0.03		CHECKED	RJB	07/31/13			
ANGULAR: .XX°.1*		COMMENTS:				<b>TITLE:</b> AN/PRC-148 JEM Data/RF Connector All Signals Populated	
BREAK EDGES: .005 - .020		<b>PROPRIETARY AND CONFIDENTIAL</b> THE INFORMATION CONTAINED IN THIS DRAWING IS THE SOLE PROPERTY OF SUPPLYNET, INC. ANY REPRODUCTION IN PART OR AS A WHOLE WITHOUT THE WRITTEN PERMISSION OF SUPPLYNET INC. IS PROHIBITED.					
FILLET: .005 - .020							
SURFACE FINISH:		SIZE		DWG. NO.		REV	
GEOMETRIC TOLERANCING PER: ASME Y14.5 -2009		<b>B</b>		TE-22X-RF-06		<b>C</b>	
MATERIAL: SEE DRAWING NOTES		CAGE CODE: 1HJX9				SCALE: NA	
FINISH: SEE DRAWING NOTES		DO NOT SCALE DRAWING				WEIGHT:	
						SHEET 1 OF 2	

**TABLE 1 WIRE CONNECTIONS**

**ITEM 1 22C CABLE**

CONNECTOR PIN	WIRE COLOR
1	PINK / BLACK
2	RED / BLACK
3	BLACK / WHITE
4	GREEN / BLACK
5	ORANGE / BLACK
6	BROWN / BLACK
7	PURPLE / BLACK
8	GRAY / BLACK
9	WHITE / BLACK
10	PINK
11	RED
12	BLACK
13	GREEN
14	ORANGE
15	BROWN
16	PURPLE
17	GRAY
18	WHITE
19	BLUE / BLACK
20	YELLOW / BLACK
21	BLUE
22	YELLOW
E33, E34	SHIELD


— TWISTED PAIR

— TWISTED PAIR

**ITEM 2 1C CABLE**

CONNECTOR PIN	WIRE COLOR
RF 1	CLEAR
SHELL	SHIELD

**PROPRIETARY AND CONFIDENTIAL**  
 THE INFORMATION CONTAINED IN THIS DRAWING IS THE SOLE PROPERTY OF SUPPLYNET, INC. ANY REPRODUCTION IN PART OR AS A WHOLE WITHOUT THE WRITTEN PERMISSION OF SUPPLYNET INC. IS PROHIBITED.

PART NUMBER: TE-22X-RF-06		
 614 CORPORATE WAY SUITE 8H VALLEY COTTAGE, NY 10989		
TITLE: AN/PRC-148 JEM Data/RF Connector All Signals Populated		
SIZE <b>B</b>	DWG. NO. TE-22X-RF-06	REV <b>C</b>
CAGE CODE: 1HJX9	SCALE: NA	WEIGHT: SHEET 2 OF 2