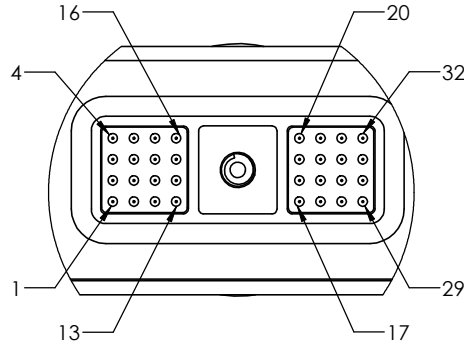
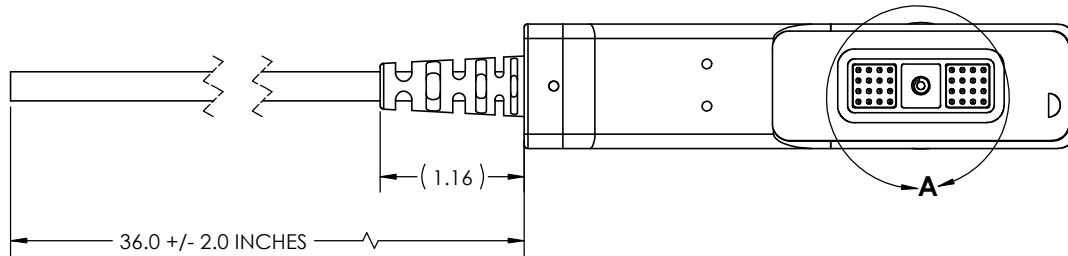
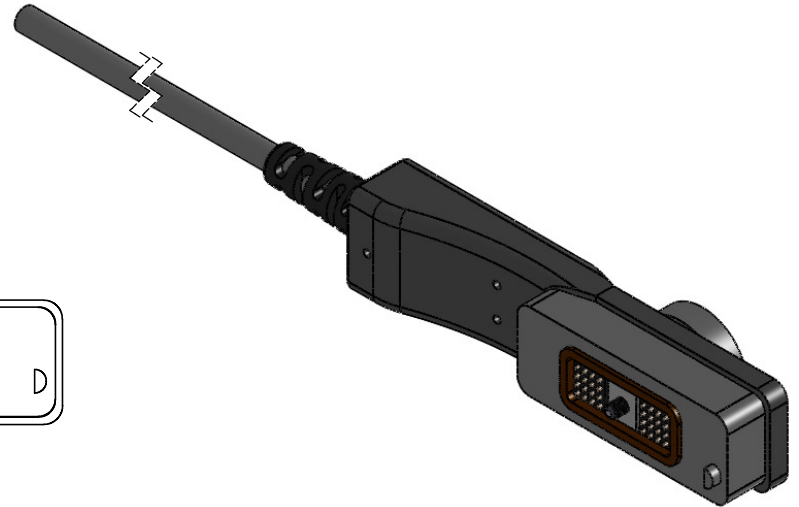


TABLE 1 WIRE RUN LISTING	
ITEM 1 (12 CONDUCTOR)	
PIN NUMBER	WIRE COLOR
13	RED / WHITE
15	RED
16	YELLOW
17	ORANGE / WHITE
18	BROWN / WHITE
19	GREEN / WHITE
20	BLACK / WHITE
21	BROWN
22	ORANGE
23	BLACK
24	YELLOW / WHITE
28	GREEN
E33	BRAIDED SHIELD
E34	BRAIDED SHIELD

**DETAIL A
SCALE 2 : 1**



REV	DATE	DESCRIPTION OF CHANGE	ENG
A	06/25/13	RELEASED. SEE DCN SN0074Z	RJB




NOTES:

- OVERMOLD MATERIAL: 90A POLYETHER-TYPE THERMOPLASTIC POLYURETHANE (TPU).
- E33,E34 IS CHASSIS GROUND
- SOLDERING IAW IPC-J-STD-001 CLASS II AS APPLICABLE.
- CABLE ASSEMBLIES TO BE 100% TESTED FOR CONTINUITY, SHORTS AND INSULATION RESISTANCE
- WIRING FUNCTION: SEE SHEET 2 AND DRAWING SN0072.
- MANUFACTURE AND INSPECT IAW IPC/WHMA A-620 CLASS 2.

RELEASED: DOCUMENT CONTROLLED PER ER 1003

UNLESS OTHERWISE SPECIFIED:	NAME	DATE
DIMENSIONS ARE IN: INCHES	RJB	04/02/13
TOLERANCES: .XX: ± 0.03	CHECKED	RJB 04/02/16
.XXX: ± 0.005	COMMENTS:	
ANGULAR: .X*: 1°	PROPRIETARY AND CONFIDENTIAL	
BREAK EDGES: .005 - .020	THE INFORMATION CONTAINED IN THIS DRAWING IS THE SOLE PROPERTY OF SUPPLYNET, INC. ANY REPRODUCTION IN PART OR AS A WHOLE WITHOUT THE WRITTEN PERMISSION OF SUPPLYNET INC. IS PROHIBITED.	
FILLETS: .005 - .020	GEOMETRIC TOLERANCING PER: ASME Y14.5-2009	
SURFACE FINISH:	MATERIAL: SEE DRAWING NOTES	
	FINISH: SEE DRAWING NOTES	
DO NOT SCALE DRAWING	CAGE CODE: 1HJX9	

PART NUMBER: TE-32C-03		
 614 CORPORATE WAY SUITE 9H VALLEY COTTAGE, NY 10989		
TITLE: SIDE EXIT PRC-152 32 PIN DATA CABLE, 3 FEET J3 PORT		
SIZE B	DWG. NO. TE-32C-03	REV A
SCALE: NA	WEIGHT:	SHEET 1 OF 1