

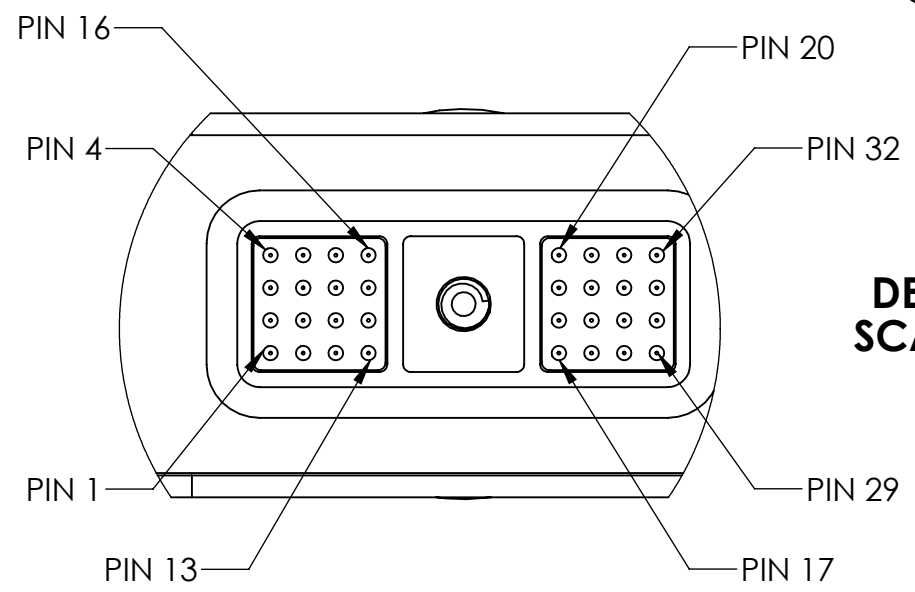


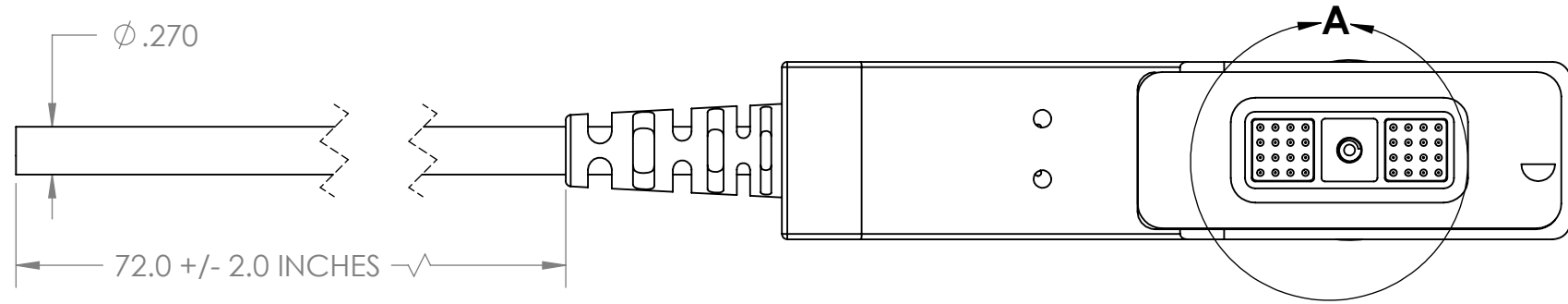
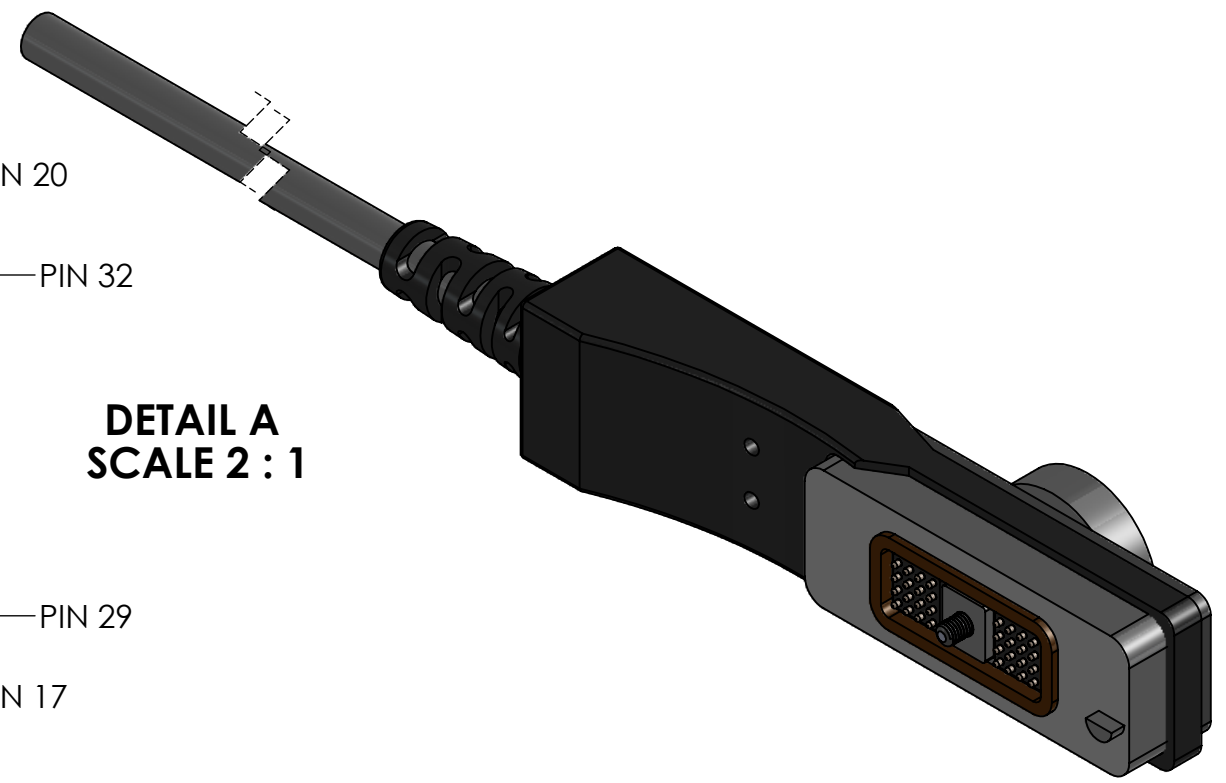
TABLE 1. WIRE RUN LIST	
PIN NUMBER	WIRE COLOR
2	PURPLE
5	DARK BLUE **
7	LIGHT GREEN *
9	PINK
10	GRAY
15	BROWN
16	RED
17	LIGHT BLUE *
18	YELLOW
19	DARK ORANGE **
20	BLUE
24	TAN
28	BLACK
29	ORANGE
30	CLEAR
31	DARK GREEN **
32	CLEAR
E33, E34	BRAIDED SHIELD
* OPTIONAL WHITE BAND FOR CLARITY	
** OPTIONAL BLACK BAND FOR CLARITY	

 TWISTED PAIR  
 TWISTED PAIR

REV	DATE	DESCRIPTION OF CHANGE	ENG
B	08/14/13	REVISED. SEE DCN SN0080B	RJB



**DETAIL A  
SCALE 2 : 1**



- NOTES:
- OVERMOLD MATERIAL: 90A POLYETHER-TYPE THERMOPLASTIC POLYURETHANE (TPU).
  - E33,E34 IS CHASSIS GROUND.
  - SOLDERING IAW IPC-J-STD-001 CLASS II AS APPLICABLE.
  - CABLE ASSEMBLIES TO BE 100% TESTED FOR CONTINUITY, SHORTS AND INSULATION RESISTANCE
  - WIRING FUNCTION: SEE TABLE 1.
  - MANUFACTURE AND INSPECT IAW IPC/WHMA A-620 CLASS 2.

UNLESS OTHERWISE SPECIFIED:  
 DIMENSIONS ARE IN: INCHES  
 TOLERANCES: .XX: ± 0.03  
 .XXX: ± 0.005  
 ANGULAR: .X°: 1°  
 .XX°: 0.5°  
 BREAK EDGES: .005 - .020  
 FILLETS: .005 - .020  
 SURFACE FINISH:  
 GEOMETRIC TOLERANCING  
 PER: ASME Y14.5 -2009  
 MATERIAL: SEE DRAWING NOTES  
 FINISH: SEE DRAWING NOTES  
 DO NOT SCALE DRAWING

	NAME	DATE
DRAWN	RJB	04/08/13
CHECKED	RJB	04/08/16
COMMENTS:		

PART NUMBER: TE-32M-06

**SupplyNet** 706 EXECUTIVE BLVD.  
SUITE B  
VALLEY COTTAGE, NY 10989

TITLE: SIDE EXIT PRC-117G  
32 PIN DATA CABLE, 6 FEET  
J3 PORT

SIZE	DWG. NO.	REV
<b>B</b>	<b>TE-32M-06</b>	<b>B</b>

CAGE CODE: 1HJX9

SCALE: NA WEIGHT: SHEET 1 OF 1