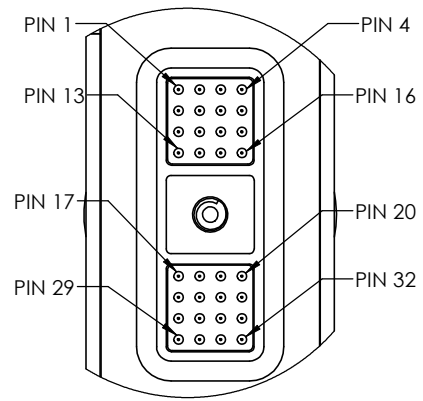
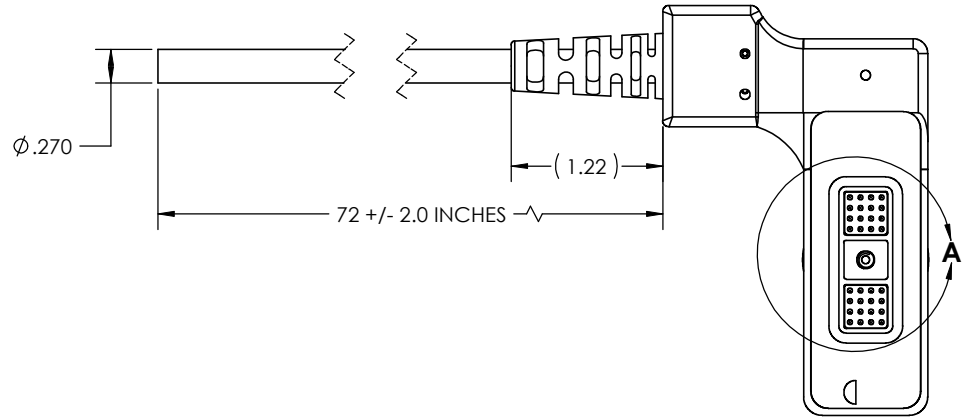


TABLE 1 WIRE RUN LISTING	
ITEM 1 (19 CONDUCTOR)	
PIN NUMBER	WIRE COLOR
2	PURPLE
5	DARK BLUE **
7	LIGHT GREEN *
9	PINK
10	GRAY
15	BROWN
16	RED
17	LIGHT BLUE *
18	YELLOW
19	DARK ORANGE **
20	BLUE
24	TAN
28	BLACK
29	ORANGE
30	CLEAR
31	DARK GREEN **
32	CLEAR
E33	BRAIDED SHIELD
E34	BRAIDED SHIELD
* OPTIONAL WHITE BAND FOR CLARITY	
** OPTIONAL BLACK BAND FOR CLARITY	

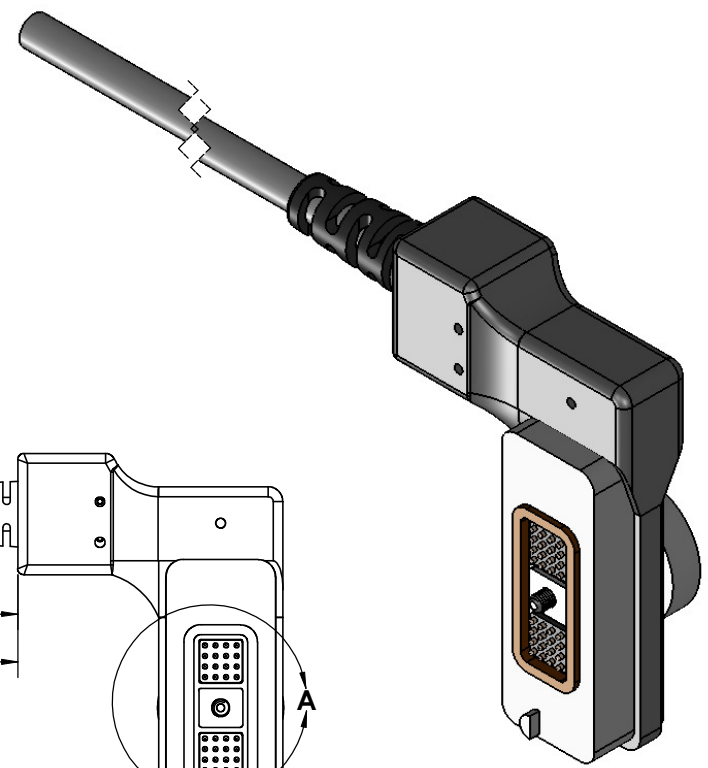
— TWISTED PAIR
— TWISTED PAIR



DETAIL A
SCALE 2 : 1



REV	DATE	DESCRIPTION OF CHANGE	ENG
F	04/30/13	REVISED. SEE DCN SN0069K	RJB



- NOTES:
- OVERMOLD MATERIAL: 90A POLYETHER-TYPE THERMOPLASTIC POLYURETHANE (TPU).
 - E33,E34 IS CHASSIS GROUND
 - SOLDERING IAW IPC-J-STD-001CLASS II AS APPLICABLE.
 - CABLE ASSEMBLIES TESTED 100% FOR CONTINUITY, SHORTS AND INSULATION RESISTANCE.
 - WIRING FUNCTION: SEE TABLE 1.
 - MANUFACTURED AND INSPECTED IAW IPC/WHMA A-620 CLASS 2.

UNLESS OTHERWISE SPECIFIED:
 DIMENSIONS ARE IN: INCHES
 TOLERANCES: .XX: ± 0.03
 .XXX: ± 0.005
 ANGULAR: .XX*: 1°
 .XX*: 0.5°
 BREAK EDGES: .005 - .020
 FILLETS: .005 - .020
 SURFACE FINISH:
 GEOMETRIC TOLERANCING
 PER: ASME Y14.5-2009
 MATERIAL: SEE DRAWING NOTES
 FINISH: SEE DRAWING NOTES
 DO NOT SCALE DRAWING

	NAME	DATE
DRAWN	RJB	04/02/13
CHECKED	RJB	04/02/16
COMMENTS:		
PROPRIETARY AND CONFIDENTIAL		
THE INFORMATION CONTAINED IN THIS DRAWING IS THE SOLE PROPERTY OF SUPPLYNET, INC. ANY REPRODUCTION IN PART OR AS A WHOLE WITHOUT THE WRITTEN PERMISSION OF SUPPLYNET INC. IS PROHIBITED.		
CAGE CODE: 1HJX9		

PART NUMBER: TE-32ML-06		
614 CORPORATE WAY SUITE 9H VALLEY COTTAGE, NY 10989		
TITLE: FRONT EXIT PRC-117G 32 PIN DATA CABLE, 6 FEET J3 PORT		
SIZE B	DWG. NO. TE-32ML-06	REV F
SCALE: NA	WEIGHT:	SHEET 1 OF 1