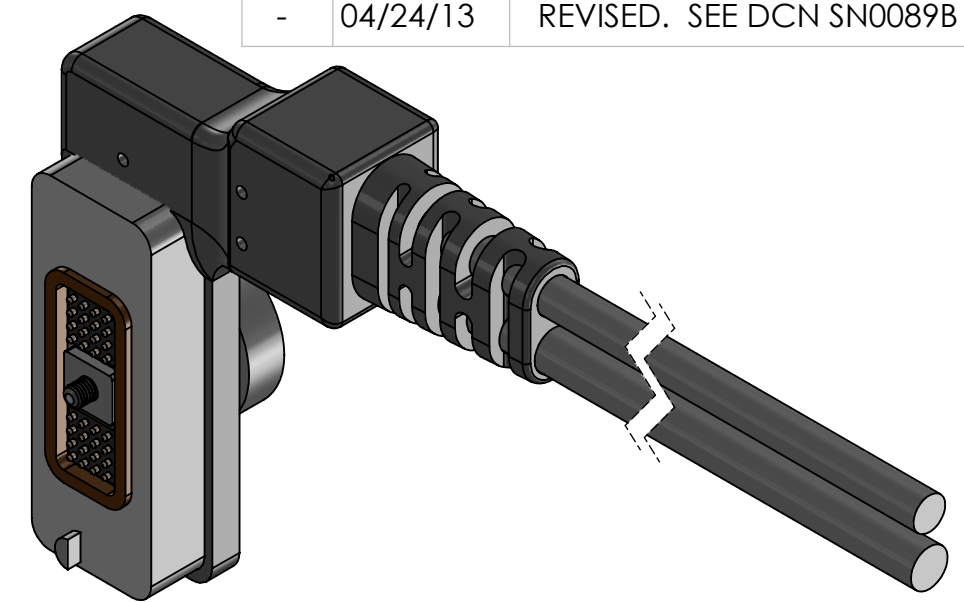
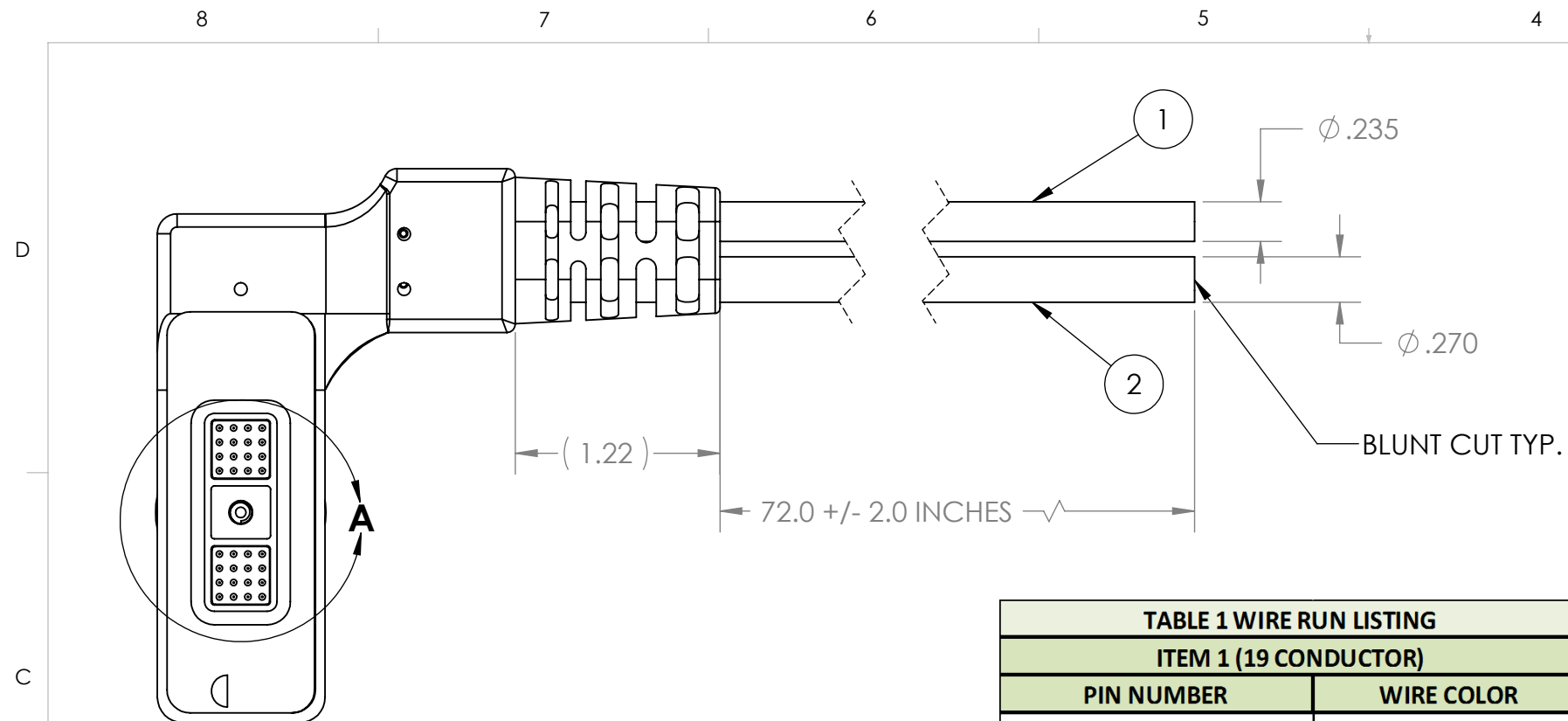


REV	DATE	DESCRIPTION OF CHANGE	ENG
-	04/24/13	REVISED. SEE DCN SN0089B	RJB



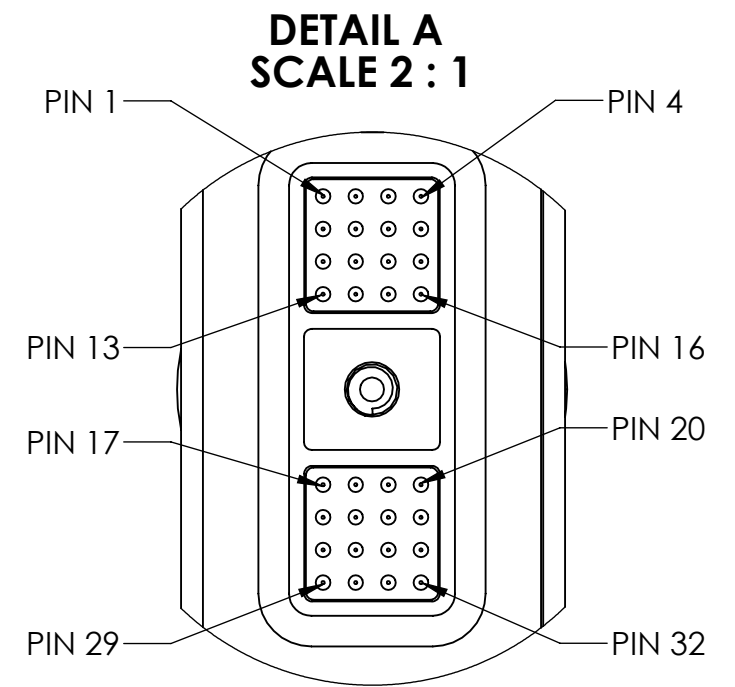
P1

TABLE 1 WIRE RUN LISTING	
ITEM 1 (19 CONDUCTOR)	
PIN NUMBER	WIRE COLOR
6	BLUE
7	BROWN
9	RED
10	YELLOW
13	DARK GREEN **
14	CLEAR
15	ORANGE
16	CLEAR
17	BLACK
18	PURPLE
19	GRAY
20	PINK
21	TAN
22	LIGHT GREEN *
23	LIGHT BLUE *
24	DARK ORANGE **
26	DARK BLUE **
27	GREEN
28	WHITE
E33 / E34 CHASSIS GROUND	BRAIDED SHIELD
ITEM 2 (12 CONDUCTOR)	
PIN NUMBER	WIRE COLOR
1	BLACK
3	BROWN
8	RED
12	ORANGE
25	YELLOW
E33 / 34 CHASSIS GROUND	BRAIDED SHIELD

— TWISTED PAIR

— TWISTED PAIR

— TWISTED PAIR



NOTES:
 1) **: OPTIONAL BLACK BAND FOR CLARITY.
 2) *: OPTIONAL WHITE BAND FOR CLARITY.
 3) CONNECT WIRES PER TABLE 1.
 4) DRAWING FOR INFORMATIONAL PURPOSES ONLY. DO NOT MANUFACTURE FROM THIS DRAWING.

UNLESS OTHERWISE SPECIFIED:
 DIMENSIONS ARE IN: INCHES
 TOLERANCES: .XX: ± 0.03
 .XXX: ± 0.005
 ANGULAR: .X°: 1°
 .XX°: 0.5°
 BREAK EDGES: .005 - .020
 FILLETS: .005 - .020
 SURFACE FINISH:
 GEOMETRIC TOLERANCING PER: ASME Y14.5 -2009
 MATERIAL: SEE DRAWING NOTES
 FINISH: SEE DRAWING NOTES
 DO NOT SCALE DRAWING

	NAME	DATE
DRAWN	RJB	04/11/13
CHECKED	RJB	04/11/13
COMMENTS:		

PART NUMBER: TE-32M2-Q-06

SupplyNet 706 EXECUTIVE BLVD.
 SUITE B
 VALLEY COTTAGE, NY 10989

TITLE: REAR EXIT PRC-117G
 32 PIN INTERFACE DUAL WIRE
 CABLE, 6 FEET J3 PORT

SIZE	DWG. NO.	REV
B	TE-32M2-Q-06	-

CAGE CODE: 1HJX9

SCALE: NA WEIGHT: SHEET 1 OF 1