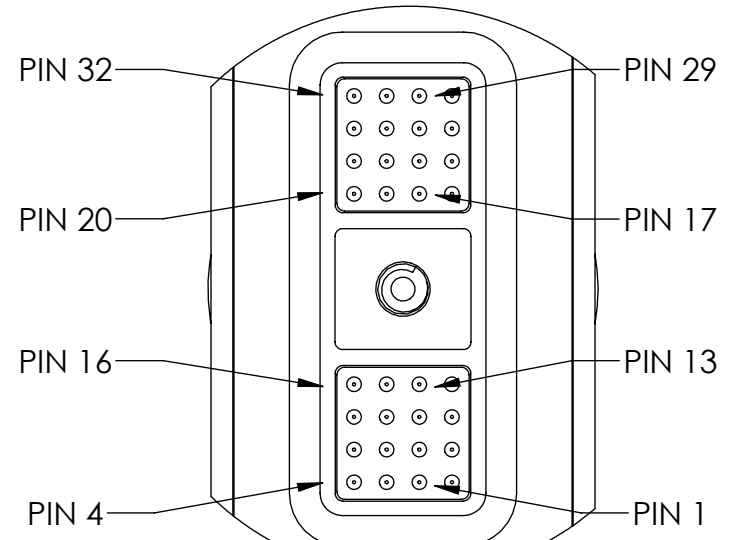
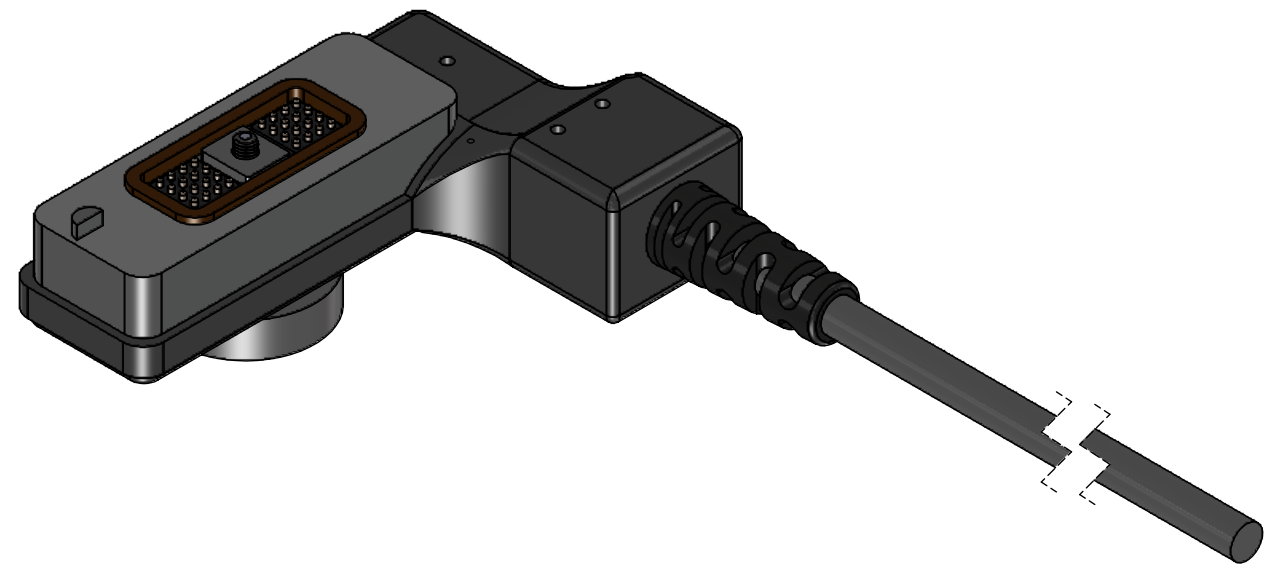
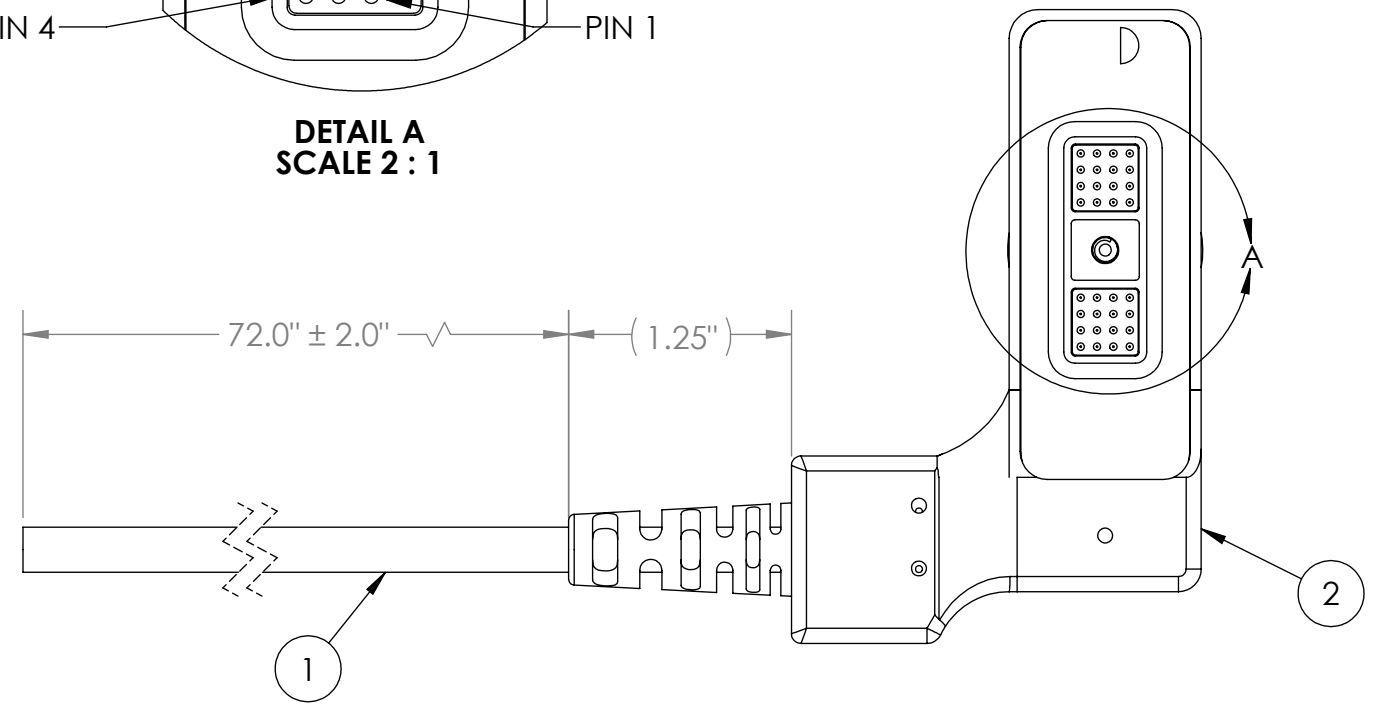


REV	DATE	DESCRIPTION OF CHANGE	ENG
1	1/17/17	UNDER CUSTOMER REVIEW	LS



**DETAIL A
SCALE 2 : 1**



NOTES:

- CABLE: 32 CONDUCTOR, PRIMARY ELEMENT 26 AWG, OD: 0.350 NOMINAL. POLYURETHANE INSULATION. OUTER SHIELD 38 AWG, TIN PLATED COPPER BRAID, 90% COVERAGE. C&M PN 51367.
- OVERMOLD MATERIAL: 90A POLYETHER-TYPE THERMOPLASTIC POLYURETHANE (TPU).
- JACKET: BLACK MATTE FINISH.
- E33,E34 IS CHASSIS GROUND
- SOLDERING IAW IPC-J-STD-001CLASS II AS APPLICABLE.
- CABLE ASSEMBLIES TO BE 100% TESTEDFOR CONTINUITY, SHORTS AND INSULATION RESISTANCE (250V @100MOHM MINIMUM)
- IDENTIFICATION: BAG AND IDENTIFY ON PACKAGING THE FOLLOWING INFORMATION FOR EACH PART DELIVERED. UOS PART MARKING ON THE WIRE IS PROHIBITED:
PN: TE-32MZ2-R-06 REV X (REV MARKING PER PO)
CAGE CODE: 1HJX9
DATE OF MFGR: MM/YY
- WIRING FUNCTION: SEE SHEET 2, TABLE 1.
- MANUFACTURE AND INSPECT IAW IPC/WHMA A-620 CLASS 2.

BILL OF MATERIALS				
ITEM NO.	PART NUMBER	QTY	NAME	COMMENTS
1	INSP-51367	74"	WIRE	32C
2	TE-32MZ-ASSY	1	CONNECTOR ASSEMBLY	INCLUDES HOUSING, FASTENERS, PCB, THUMBWHEEL. PROVIDED BY SUPPLYNET
3	24-7068-7601	AR	SOLDER, LEAD FREE	KESTER

UNLESS OTHERWISE SPECIFIED:
 DIMENSIONS ARE IN: INCHES
 TOLERANCES: .XX: ± 0.03
 .XXX: ± 0.005
 ANGULAR: .X°: 1°
 .XX°: 0.5°
 BREAK EDGES: .005 - .020
 FILLETS: .005 - .020
 SUFACE FINISH:
 GEOMETRIC TOLERANCING PER: ASME Y14.5 -2009
 MATERIAL: SEE DRAWING NOTES
 FINISH: SEE DRAWING NOTES
 DO NOT SCALE DRAWING

	NAME	DATE
DRAWN	LS	1/17/17
CHECKED	RB	1/17/17
COMMENTS:		

REF. NUMBER: SNO452

SupplyNet 614 CORPORATE WAY
SUITE 8M
VALLEY COTTAGE, NY 10989

TITLE: REAR EXIT PRC-117G
32 PIN INTERFACE 6 FEET
ALL SIGNALS POPULATED

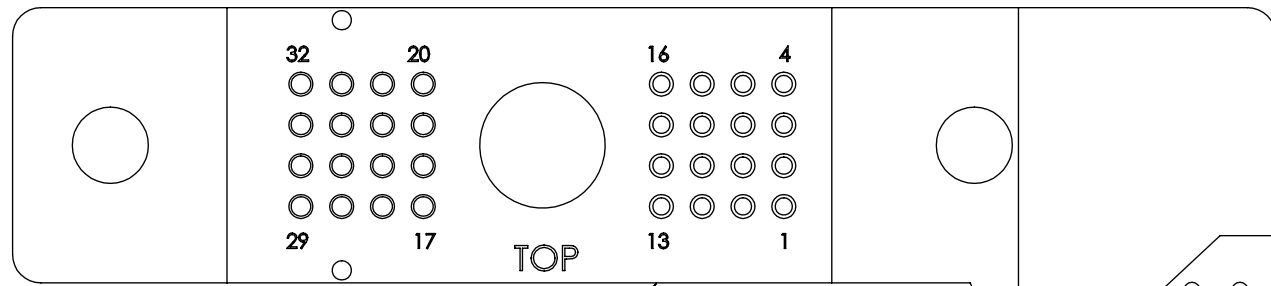
SIZE B	DWG. NO. TE-32MZ2-R-06	REV 1
------------------	---------------------------	-----------------

SCALE: NA WEIGHT: SHEET 1 OF 2

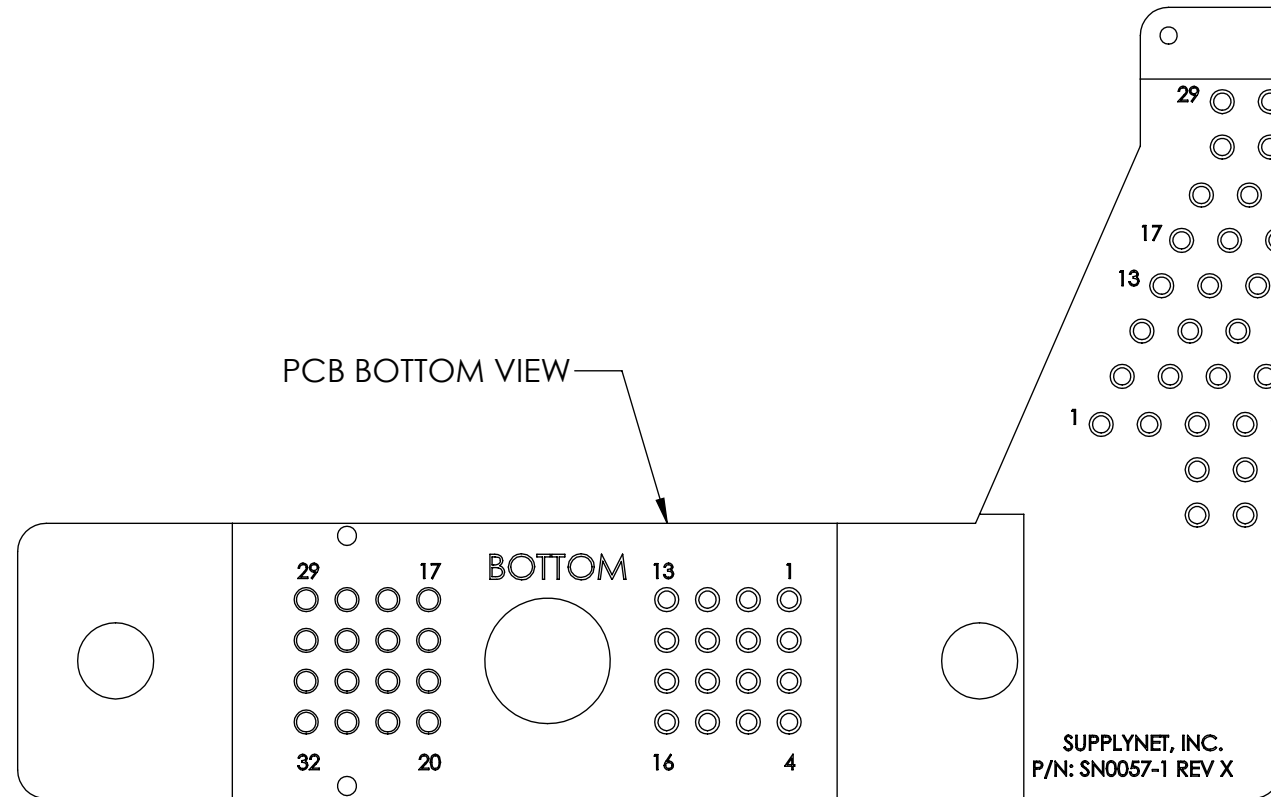
PROPRIETARY AND CONFIDENTIAL
 THE INFORMATION CONTAINED IN THIS DRAWING IS THE SOLE PROPERTY OF SUPPLYNET, INC. ANY REPRODUCTION IN PART OR AS A WHOLE WITHOUT THE WRITTEN PERMISSION OF SUPPLYNET INC. IS PROHIBITED.
CAGE CODE: 1HJX9

TABLE 1: WIRE RUN LIST	
PIN NUMBER	WIRE COLOR
1	Black
2	Brown
3	Red
4	Dark Orange/Blue
5	Yellow
6	Light Green/White
7	Blue
8	Violet
9	Gray
10	Dark Blue/Black
11	Tan
12	Light Blue/White
13	Pink
14	White/Black
15	Black/White
16	Brown/White
17	Red/White
18	Red/Black
19	Yellow/White
20	Yellow/Black
21	Violet/White
22	Gray/White
23	Tan/White
24	Tan/Black
25	Orange
26	Clear Natural
27	Pink/White
28	Pink/Black
29	Dark Green
30	Clear Natural
31	Green
32	White
CHASSIS GROUND	SHIELD

TWISTED PAIR
 TWISTED PAIR
 TWISTED PAIR



PCB TOP VIEW



PCB BOTTOM VIEW

SUPPLYNET, INC.
P/N: SN0057-1 REV X

PROPRIETARY AND CONFIDENTIAL
THE INFORMATION CONTAINED IN THIS DRAWING IS THE SOLE PROPERTY OF SUPPLYNET, INC. ANY REPRODUCTION IN PART OR AS A WHOLE WITHOUT THE WRITTEN PERMISSION OF SUPPLYNET INC. IS PROHIBITED.

CAGE CODE: 1HJX9

STIFFENER ON TOP SIDE ONLY.

REF. NUMBER: SN0452

SupplyNet

614 CORPORATE WAY
SUITE 8M
VALLEY COTTAGE, NY 10989

TITLE:
REAR EXIT PRC-117G
32 PIN INTERFACE 6 FEET
ALL SIGNALS POPULATED

SIZE B	DWG. NO. TE-32MZ2-R-06	REV 1
------------------	---------------------------	-----------------

SCALE: NA WEIGHT: SHEET 2 OF 2